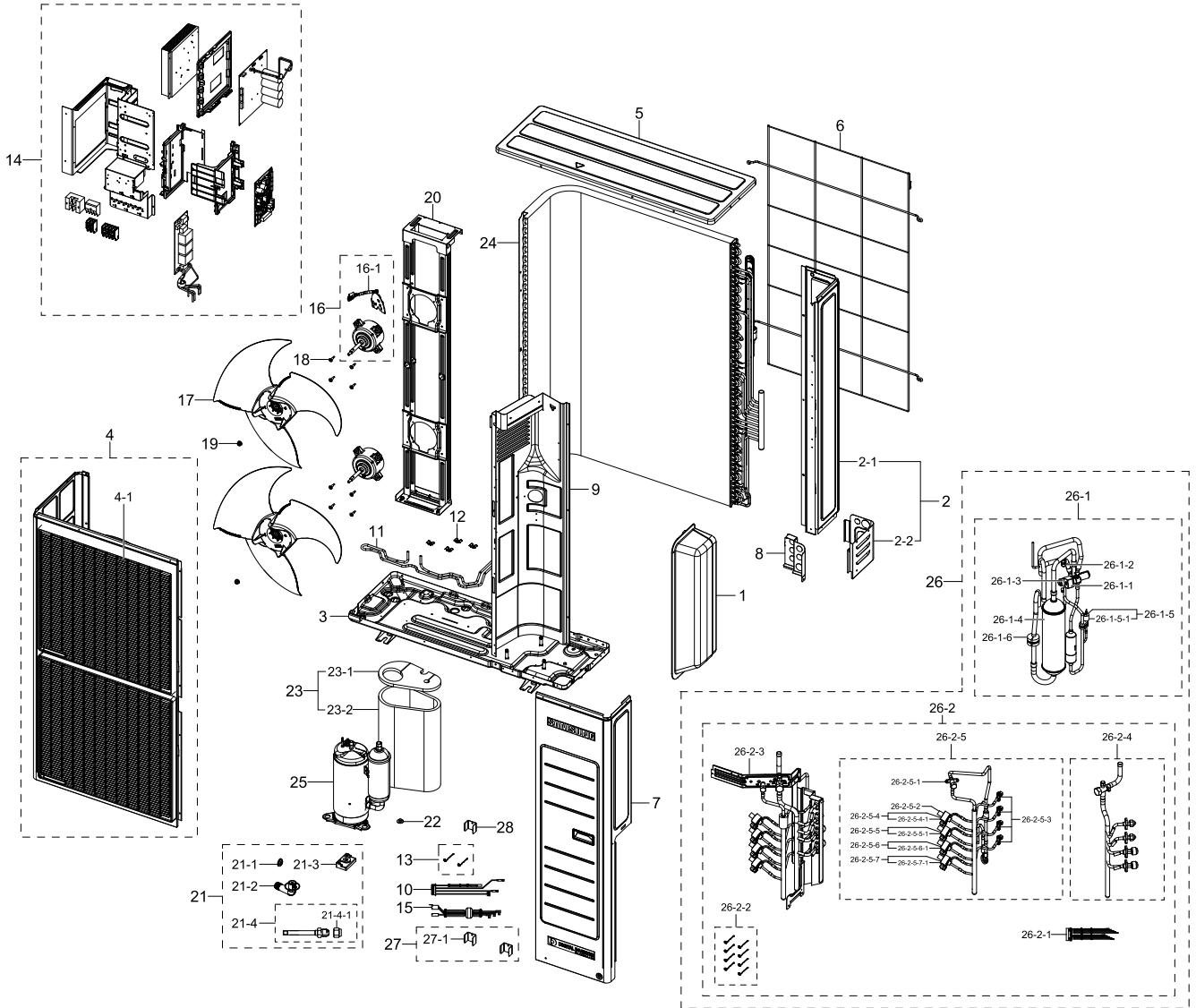


# 1. AJ024DXS4CG/AA

AJ024DXS4CG/AA

## Exploded View



## Parts List

No.	Lvl.	Loc.	Material Code	Description & Specification	SNA	Qty.
1	2	C1125	DB63-04266A	COVER VALVE; AJ048TXJ5CH/AA,PP+TD20%,T2.5	SA	1
2	2	A0140	DB90-11748A	ASSY CABI BACK; AJ140TXJ5KC/EA,FJM UB2	SA	1
2-1	3	A2609	DB90-05876G	ASSY CABI BACK-RH; AC048KXADGC/TL,UB2	SA	1
2-2	3		DB64-02525C	CABINET-INSTALL BACK; RC160MHXEA,EGI-SECC	SA	1
3	2	A0092	DB90-05873K	ASSY BASE OUT; AE160JNYDEH/EU	SA	1
4	2	A2620	DB90-05878G	ASSY CABI FRONT-LF; AJ048TXJ5CH/AA,FJM UB	SA	1

Exploded Views and Parts List

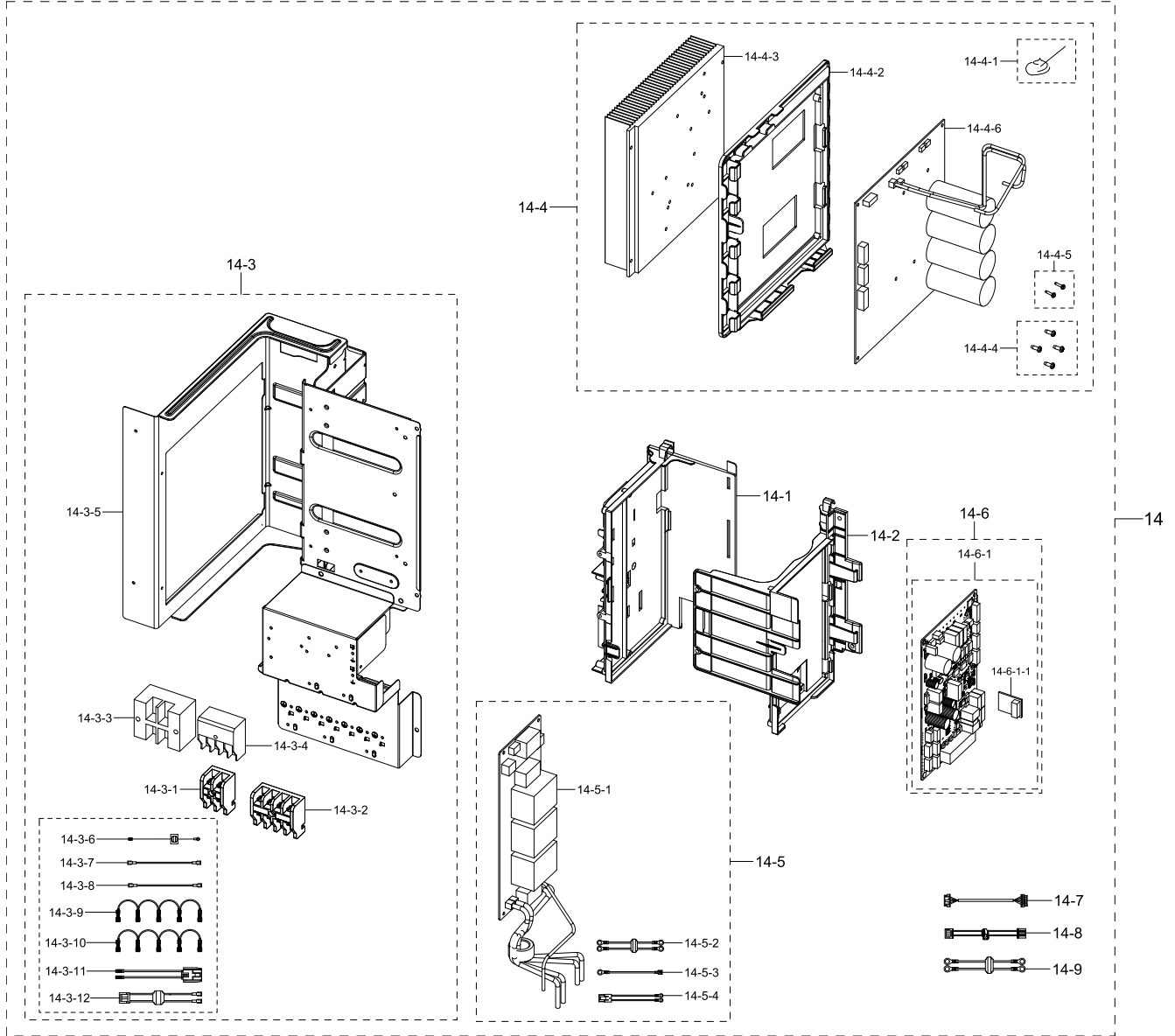
No.	Lvl.	Loc.	Material Code	Description & Specification	SNA	Qty.
4-1	3	G0346	DB63-02696B	GUARD-FAN; RC100PHXEA,PP+TD20%,EARTH BROW	SA	2
5	2	A0212	DB90-05902E	ASSY CABINET-TOP; RC090MHXEA,EHS MONO	SA	1
6	2	G0131	DB63-02706D	GUARD COND; RC100ZHXE,MSWR-SWRM,EARTH BR	SA	1
7	2	A2608	DB90-11587A	ASSY CABI FRONT-RH; AJ048TXJ5CH/AA	SA	1
8	2		DB90-11588B	ASSY PLATE-CONTROL; AJ048TXJ5CH/AA	SA	1
9	2	A1748	DB94-02697H	ASSY PARTITION; AC100CXAPHH1,UB2	SA	1
10	2		DB32-00199D	SENSOR TEMP; SMH250-08L,L1200,10kohm,3%,2	SA	1
11	2		DB47-00075A	HEATER SHEATH; AC230V,150W,SUS316L,NONE,Y	SA	1
12	2	H0197	DB61-05376A	HOLDER-HEATER; RC160MHXEA,STS316L,W15,L26	SA	4
13	2	S0242	DB81-00635A	SPRING ETC-SENSOR; DVM-SYSTEM,STS304,ID2.	SA	2
14	2		DB92-05808A	ASSY PBA KIT-OUT; OUTDOOR,FJM R32(23S_Pf5	SA	1
15	2	A0630	DB93-17893E	ASSY CONNECTOR WIRE-COMP; 3,UL3343,12,RED	SA	1
16	2		DB31-00658J	MOTOR BLDC FAN; -,800rpm,310V,1.0A,125W,8	SA	2
16-1	3		DB92-04975G	ASSY PBA MODULE; PBA,658J,Standard	SA	2
17	2		DB94-06687A	ASSY FAN PROPELLER; AC071MXADKH/EU,ASSY	SA	2
18	2	S0019	DB60-00150A	SCREW-SPECIAL; HWH,M4,L26,ZPC(WHT),SWRCH1	SA	8
19	2		DB60-00405A	FASTENER-WASHER; RC100ZHXE,SWRCH10A,M8	SA	2
20	2	A2803	DB90-05875B	ASSY BRACKET MOTOR; RC100PHXEA,R410A	SA	1
21	2		DB97-18601C	ASSY PACKING CASE ACCESSORY; AJ024MCS4CH,	SNA	1
21-1	3		DB63-10355C	SEAL DRAIN; CHLOROPRENE RUBBER,T2,W24,L7.	SA	3
21-2	3	D0116	DB67-00806A	DRAIN-PLUG OUT; UH140GAV,HDPE,NATURAL,-,S	SA	1
21-3	3	R0132	DB73-20134A	RUBBER-LEG; V2-MD,NBR,T10,BLACK	SA	4
21-4	3	A2304	DB96-16155A	ASSY TUBE; RJ100F5HXEA,FJM2	SA	2
21-4-1	4		DB60-30010B	FASTENER-NUT FLARE; AR12RV3HEWXXNA,BRASS,	SA	2
22	2	N0024	DB60-30028A	NUT-FLANGE; SWRCH18A,ZPC(WHT),HWH,M8,P1.2	SA	3
23	2		DB94-08865A	ASSY FELT-MODULE; FJM,DB63-03164A,DB63-03	SNA	1
23-1	3	C0586	DB63-03164A	FELT-COMP TOP IN; -,EVAR/FELT,T11.5,W153,	SA	1
23-2	3	F0091	DB63-03451A	FELT-COMP SIDE; RJ100F5HXEA,FELT,T8	SA	1
24	2		DB96-14661B	ASSY COND-MODULE; UB2	SA	1
25	2	A2712	DB95-05799A	ASSY COMP; KTF310D43UM,R32	SA	1
26	1		DB96-27191A	ASSY TUBE OUT PARTS; AJ036DXS4CG/AA,UB2,	SNA	1
26-1	2		DB96-25040C	ASSY TUBE 4WAY; UB2,KCV R32	SA	1
26-1-1	3	S0247	DB33-00002K	SOLENOID-COIL ASSY; 220V	SA	1
26-1-2	3		DB60-30010A	FASTENER-NUT FLARE; -,BRASS,-,-,1/4"	SA	1

No.	Lvl.	Loc.	Material Code	Description & Specification	SNA	Qty.
26-1-3	3	V0001	DB62-02838A	VALVE 4WAY; COMMON,3.5	SA	1
26-1-4	3		DB96-14716B	ASSY TUBE TANK-ACCUMULATOR; AJ050RXH5BC1	SA	1
26-1-5	3		DB96-24941A	ASSY SWITCH PRESSURE; AJ100TXJ5EG/EU	SA	1
26-1-5-1	4	S0208	DB34-00089A	SWITCH PRESSURE; DC5mA,DC5V,4.2MPa,L1200,	SA	1
26-1-6	3	W0082	DB67-00903B	WEIGHT-RUBBER; NR,T30,OD 47pi,BLK,15.88pi	SA	1
26-2	2		DB96-25041E	ASSY TUBE SERVICE-BRACKET; AJ036TXS4CH/AA	SA	1
26-2-1	3		DB32-00278E	SENSOR TEMP; WB20L-024-411/WHT,L950,10koh	SA	1
26-2-2	3	S0242	DB81-00635A	SPRING ETC-SENSOR; DVM-SYSTEM,STS304,ID2.	SA	8
26-2-3	3		DB90-05874B	ASSY BRACKET-VALVE; RC100PHXEA,ManU	SA	1
26-2-4	3		DB96-25042B	ASSY TUBE EEV-JOINT; AJ036TXS4CH/AA	SA	1
26-2-5	3		DB96-25043E	ASSY TUBE EEV; AJ036TXS4CH/AA,Sanhua T-ty	SA	1
26-2-5-1	4		DB62-12108A	VALVE SERVICE-SPINDLE; T-TYPE, NO PORT,R4	SA	1
26-2-5-2	4	V0018	DB62-11418B	VALVE EXPAN; STS304,T-type,53.2,1.4mm,500	SA	4
26-2-5-3	4	N0005	DB67-00281B	NIPPLE; RVPC035B2M0,C3771,1/4"	SA	4
26-2-5-4	4	A0420	DB96-25420F	ASSY VALVE-EXPANSION; H/P,UB2,L800,RED	SA	1
26-2-5-4-1	5		DB62-11421D	VALVE COIL EXPAN; DC12V,COIL,1000mm,MOLDI	SA	1
26-2-5-5	4	A0420	DB96-25420G	ASSY VALVE-EXPANSION; H/P,UB2,L850,YELLOW	SA	1
26-2-5-5-1	5		DB62-11421D	VALVE COIL EXPAN; DC12V,COIL,1000mm,MOLDI	SA	1
26-2-5-6	4	A0420	DB96-25420H	ASSY VALVE-EXPANSION; H/P,UB2,L900,BLUE	SA	1
26-2-5-6-1	5		DB62-11421D	VALVE COIL EXPAN; DC12V,COIL,1000mm,MOLDI	SA	1
26-2-5-7	4	A0420	DB96-25420J	ASSY VALVE-EXPANSION; H/P,UB2,L950,BLACK	SA	1
26-2-5-7-1	5		DB62-11421D	VALVE COIL EXPAN; DC12V,COIL,1000mm,MOLDI	SA	1
27	2	A1405	DB90-02316E	ASSY HOLDER-PLATE COND; RC100PHXEA	SA	2
27-1	3	H0121	DB61-00533A	HOLDER-CLAMP COND; RVXMHF050GA,GI-SGCC,T0	SA	2
28	2	H0121	DB61-00533A	HOLDER-CLAMP COND; RVXMHF050GA,GI-SGCC,T0	SA	1

# 2. ASSY PBA KIT-OUT

## ASSY PBA KIT-OUT

### Exploded View



### Parts List

No.	Lvl.	Loc.	Material Code	Description & Specification	SNA	Qty.
14	2		DB92-05808A	ASSY PBA KIT-OUT; OUTDOOR,FJM R32(23S_Pf5	SA	1
14-1	3		DB61-04502D	CASE-EMI; RC090MHXEa,HIPS,-,L0,NATURAL,-,	SA	1
14-2	3	C0396	DB61-05743A	CASE-PCB; AM053FXMDCH/AA,HIPS,T2,L243.3,N	SA	1
14-3	3		DB90-11593C	ASSY PLATE-CONTROL; FJM,UB2	SA	1
14-3-1	4	T0174	DB37-00036A	TERMINAL BLOCK; 2P(4SCREW),MELAMINE,600V,	SA	1
14-3-2	4	T0174	DB37-00037A	TERMINAL BLOCK; 4P(8SCREW),MELAMINE,600V,	SA	1

No.	Lvl.	Loc.	Material Code	Description & Specification	SNA	Qty.
14-3-3	4	T0174	DB37-00038A	TERMINAL BLOCK; DATA 60A-2P-M,MELAMINE,60	SA	1
14-3-4	4	T0174	DB65-00304B	TERMINAL BLOCK; 4P(8SCREW),PBT,300V,25A,4	SA	1
14-3-5	4		DB90-05889G	ASSY CASE CONTROL; FJM UB2	SA	1
14-3-6	4	A0646	DB93-10906C	ASSY CONNECTOR WIRE-EARTH; 1,1015,18,YEL/	SA	1
14-3-7	4		DB93-11280A	ASSY CONNECTOR WIRE-TERMINAL BLOCK; 1,101	SA	2
14-3-8	4		DB93-11280B	ASSY CONNECTOR WIRE-TERMINAL BLOCK; 1,101	SA	2
14-3-9	4		DB93-11914E	ASSY CONNECTOR WIRE-UB1 POWER JUMP; 4,101	SA	1
14-3-10	4		DB93-11914F	ASSY CONNECTOR WIRE-UB1 POWER JUMP; 1,101	SA	1
14-3-11	4		DB93-12145A	ASSY CONNECTOR WIRE-T B POWER TO EMI; 2,1	SA	1
14-3-12	4	A2934	DB93-13113A	ASSY CONNECTOR WIRE-COMM; 2,1015,20,RED,Y	SA	1
14-4	3		DB92-05559A	ASSY PBA KIT-INVERTER; INVERTER,AC5000B,2	SA	1
14-4-1	4	G0032	0205-000178	GREASE-SILICON; YG6111,WHITE, for assembl	SA	4
14-4-2	4	C0170	DB61-07904A	CASE PCB; AC110BXAFHH1PP,ABS,-,L264,NATUR	SA	1
14-4-3	4	H0034	DB62-13359B	HEAT SINK; 23R_Pf4_5,Al,T10,W204.5,L192,S	SNA	1
14-4-4	4	A2876	DB91-00306A	SCREW-MACHINE; SWRCH10A,ZPC(WHT),L16,M3,P	SA	4
14-4-5	4	A2876	DB91-00307A	SCREW-MACHINE; SWRCH18A,ZPC(WHT),L16,M4,P	SA	2
14-4-6	4		DB92-05543D	ASSY PCB INVERTER; HW,INVERTER,AC5000B,24	SA	1
14-5	3		DB92-04635B	ASSY KIT; OUTDOOR,FJM,EMI PBA,POWER WIRE,	SNA	1
14-5-1	4	A1781	DB93-13593A	ASSY PCB SUB-EMI; HW,SUB,CAC-07,230*90,CA	SA	1
14-5-2	4	A0664	DB93-13687C	ASSY CONNECTOR WIRE-POWER; 2,1015,12,BRN,	SA	1
14-5-3	4	A0646	DB93-13692B	ASSY CONNECTOR WIRE-EARTH; 1,1015,16,YEL/	SA	1
14-5-4	4	A0664	DB93-16998A	ASSY CONNECTOR WIRE-POWER; 2,1015,12,BRN,	SA	1
14-6	3	A0743	DB92-05806A	ASSY PCB MAIN-OUT; SW,MAIN,24S_FJM_AJ5000	SA	1
14-6-1	4		DB92-05811A	ASSY PCB MAIN H/W; MAIN,24S_FJM_AJ5000D,1	SNA	1
14-6-1-1	5		DB93-12483A	ASSY PCB SUB-EEPROM; HW,SUB,DVMPLUS4 UP,2	SA	1
14-7	3	A2934	DB93-04273B	ASSY CONNECTOR WIRE-COMM; 6,2095,26,BLU,S	SA	1
14-8	3		DB93-10809A	ASSY CONNECTOR WIRE-EMI TO MAIN POWER; 2	SA	1
14-9	3	A0664	DB93-13687A	ASSY CONNECTOR WIRE-POWER; 2,1015,12,BRN,	SA	1