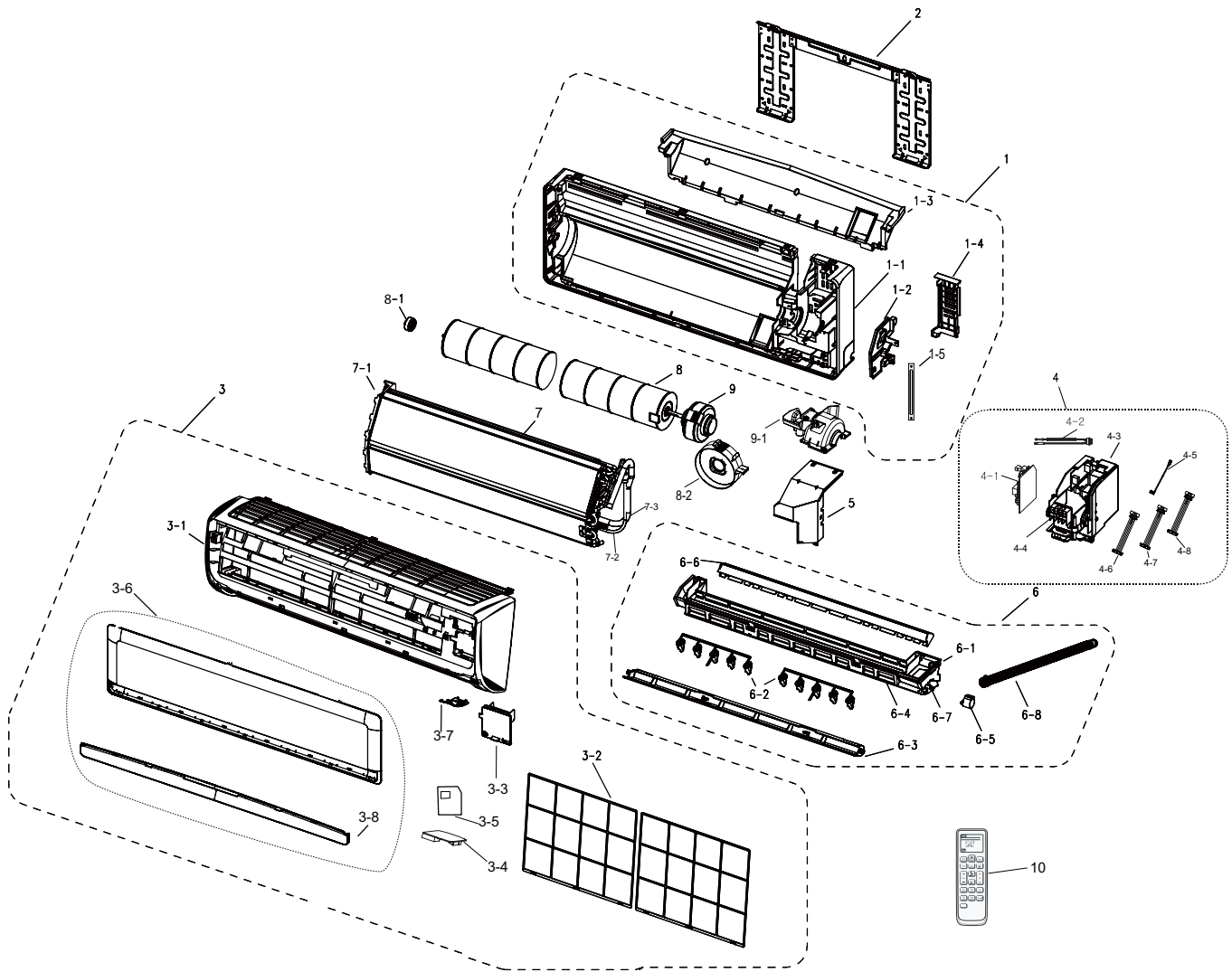


5.Exploded views and Parts list

5-1 Indoor Unit

AQN36VFUAGM/CV



NO	Parts. Code	Parts. Description	Spec.	QT' Y	SA/SNA
1	DB94-01498G	ASSY BACK BODY	DA WHITE, R410A, MAX 4, SSEC	1	SA
1-1	DB61-03208B	BODY-BACK	WW3, HIPS, 2. 5, 345, 1280, SC-06106R, SSEC	1	SNA
1-2	DB90-03402A	ASSY-SUPPORT EVAP	WW3, SSEC	1	SA
1-3	DB61-03215A	BODY BACK-CUSHION	WW3, CUSHION, 64. 8, -, 1049. 4, 121. 1, WHITE	1	SNA
1-4	DB61-03218B	HOLDER-PIPE	WW3, ABS, 1. 5, 25, 216, DA-WHITE, SSEC	1	SNA
1-5	DB61-03250A	HOLDER-BODY BACK	WW3, SGCC-M, 1. 0, 14, 151, WHITE, SSEC	1	SA
2	DB70-00787A	PLATE-HANGER	WW3, SGCC-M, 0. 8, 303. 25, 1010. 5, SSEC	1	SA
3	DB92-02107W	ASSY PANEL FRONT	WHT, R410A, DA WHITE, max4, SSEC	1	SA
3-1	DB64-02517A	PANEL FRONT	VIVALDI-3, HIPS, T2. 2, WHITE, SSEC	1	SA
3-2	DB63-01765F	GUARD-AIR FILTER	MAX4, PP, LIGHT GRAY GY0262, SSEC	2	SA
3-3	DB90-07397A	ASSY COVER-TERMINAL	MAX4, WIRED REMOCON, SSEC	1	SA
3-4	DB61-03648A	CASE PCB	VAVAIDI, ABS, 2. 0T, 83. 6, BLACK, SSEC	1	SNA
3-5	DB93-11009A	ASSY PCB SUB-DISPLAY	MAX, TR DRIVER, LED 3EA, N	1	SA
3-6	DB92-02101G	ASSY GRILLE	MAX4, SSEC	1	SA
3-7	DB90-05771A	ASSY COVER DISPLAY	WW3-MAX, SSEC	1	SA
3-8	DB64-02515E	DECORATION-GRILLE	MAX4, HIPS, 41, 1229, 18, GY0096; PM	1	SA
4	DB93-09711A	ASSY CONTROL IN	hp, INV, KCV, SSEC	1	SNA
4-1	DB93-12828C	ASSY PCB MAIN-IN	STD#5, INV, BLDC MOTOR, 12Y KCV, SPI, Y, SM	1	SA
4-2	DB95-01990F	ASSY THERMISTOR IN	HP, INV	1	SA
4-3	DB61-04464A	CASE CONTROL-IN	WW3-MAX, HIPS, T2. 0, BLACK, ssec	1	SNA
4-4	DB65-00326E	TERMINAL BLOCK-THERMAL FUSE	4P, PBT, 4-TAB, 4-SCREW, MAX	1	SNA
4-5	DB93-10942A	ASSY CONNECTOR WIRE	JUNGFRAU-PJT, MAIN TO T/B	1	SA
4-6	DB93-10918H	ASSY CONNECTOR WIRE	MALDIVE	1	SA
4-7	DB93-10943H	ASSY CONNECTOR WIRE	MALDIVE	1	SA
4-8	DB93-10943P	ASSY CONNECTOR WIRE	INV	1	SA
5	DB90-05839A	ASSY COVER-PCB	INV, SSEC	1	SA
6	DB94-01495D	ASSY TRAY DRAIN	WHITE, RH, 1M, Y, R22, -, EXPORT, SSEC	1	SA
6-1	DB63-01755A	TRAY DRAIN	WW3, ABS, 2. 0, 123, 1076, -, SC-06106R, SSEC	1	SNA
6-2	DB61-03254A	BLADE-V A	WW3, PP, BLACK, 79*49*5. 5, SSEC	2	SA
6-2	DB61-03255A	BLADE-V B	WW3, PP, BLACK, 79*49*5. 5, SSEC	10	SA
6-3	DB61-04465A	BLADE-H	WW3-MAX, ABS, WHITE, 1068. 5, T2. 5, SSEC	1	SA
6-4	DB63-01760A	TRAY-CUSHION UP	WW3, PS, 24. 2, 52. 4, 537. 3, -, WHITE, SSEC	2	SNA
6-5	DB31-00369B	MOTOR STEP	35BYJ46, -, -, -, DC12V, -, -, -10^40, -,	1	SA
6-6	DB62-05060A	SEAL-TRAY RH A	WW3, FOAM-PE, GRAY, 10, 35. 2, 116. 7, SSEC	1	SNA
6-7	DB63-01760A	TRAY-CUSHION UP	WW3, PS, 24. 2, 52. 4, 537. 3, -, WHITE, SSEC	2	SNA
6-8	DB94-00458D	ASSY HOSE DRAIN	WHITE, LFET, 550, Y, R410, -, -, SSEC	1	SA
7	DB96-09872H	ASSY EVAP TOTAL	AQV30UWCNXSA, SSEC	1	SA
7-1	DB61-03205A	BRACKET EVAP	WW3, SGCC-M, 0. 8, 44. 9, 100. 3, BLACK, SSEC	1	SA
7-2	DB96-09870A	ASSY TUBE EVAP IN	KCV, SSEC	1	SA
7-3	DB96-11295B	ASSY TUBE EVAP OUT	AQV30UWCNXSA, SSEC	1	SA
8	DB94-00118A	ASSY FAN-CROSS R	B-P/J, CHINA	1	SA
8	DB94-00119A	ASSY FAN-CROSS L	B-P/J, CHINA	1	SA
8-1	DB94-00455B	ASSY-RUBBER BEARING	WW-PJT, CR, BLK SSEC	1	SA
8-2	DB90-03401A	ASSY HOLDER-FAN	WW3, SSEC	1	SA
9	DB31-00332C	MOTOR FAN	SIC-55CVL-F158-1, -, -, -, -, -, -, -, -,	1	SA
9-1	DB61-03200A	HOLDER-MOTOR	WW3, ABS, 1. 5, 145, 180. 1, WHITE, SSEC	1	SA
10	DB93-11115Y	ASSY REMOCON	ARH-5022, MALDIVES, BORACAY, MAX USA	1	SA