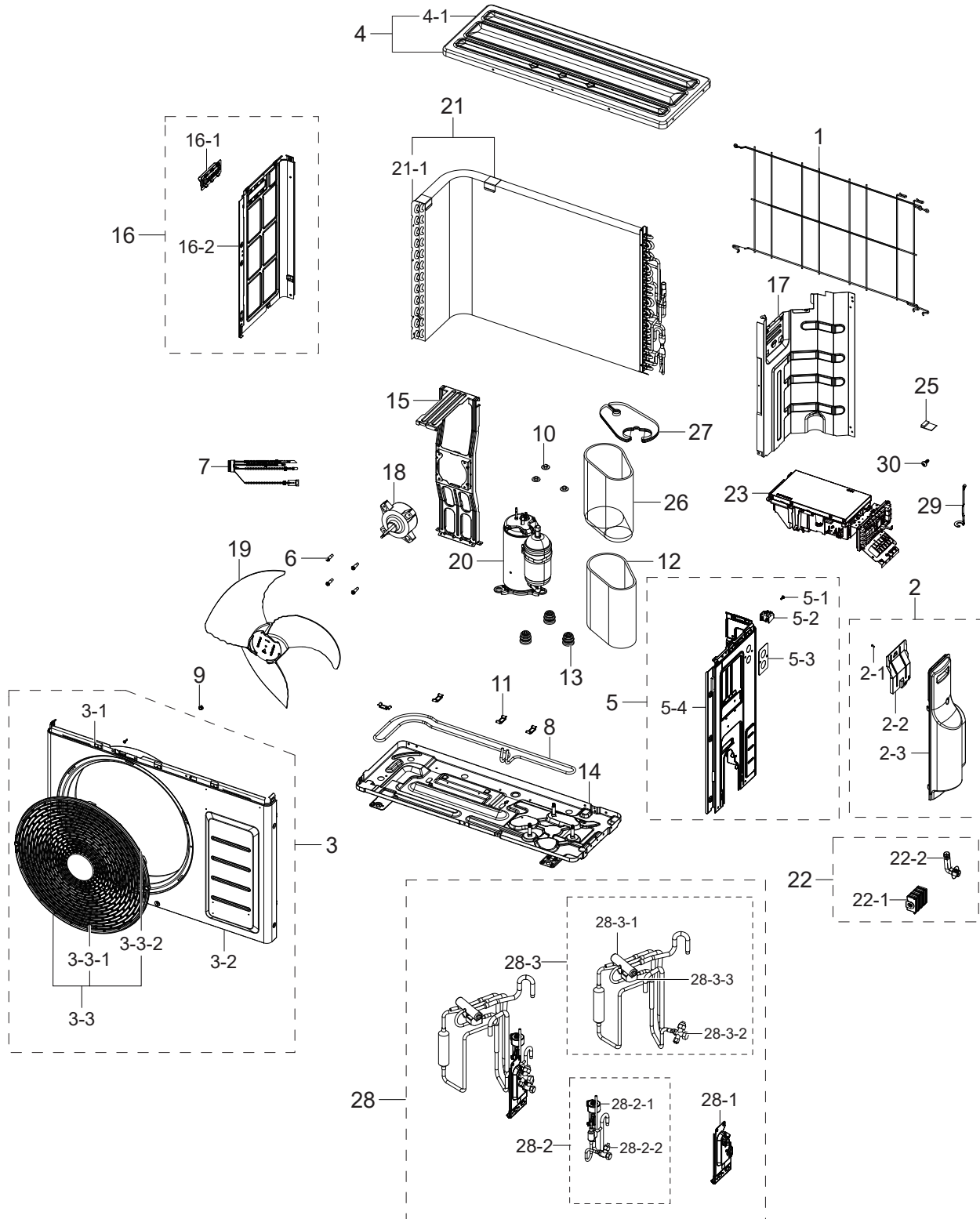


Exploded Views and Parts List

■ AC009DXSCCG/AA



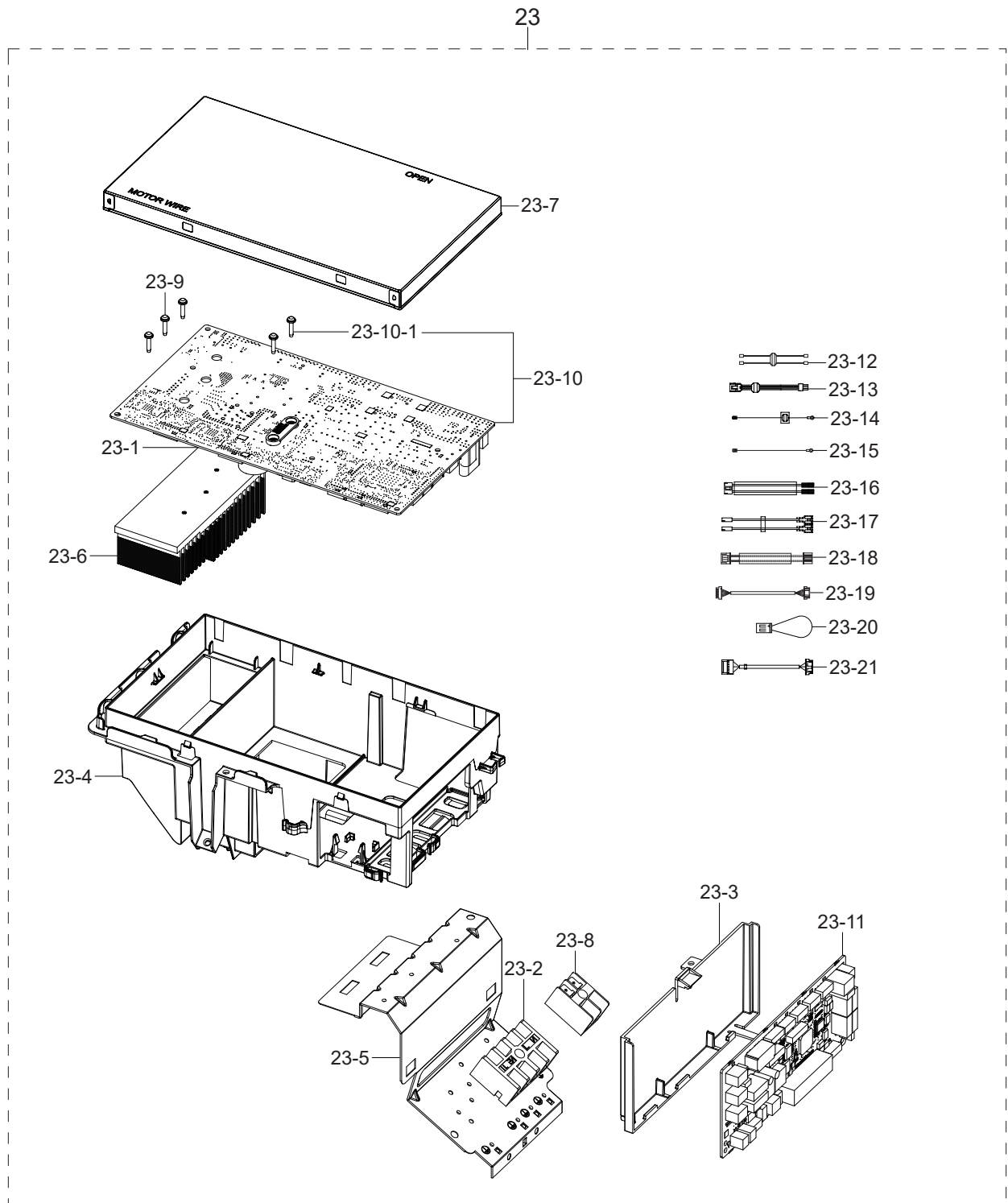
Service Bom (SA: SERVICE AVAILABLE, SNA: SERVICE NOT AVAILABLE)

No.	Material Code	Description	Specification	QTY	SA/SNA
1	DB63-03873B	GUARD COND	N-SI,MSWR,T2.5,EARTH BROWN,-,-	1	SA
2	DB90-06381F	ASSY COVER-VALVE	NEW_WW,GY0108	1	SA
2-1	6002-000630	SCREW-TAPPING	PH,+,2S,M3,L8,ZPC(WHT),SWRCH18A	1	SNA
2-2	DB61-05777A	PLATE-COVER CONTROL	SI,GI-SGCC,T0.3,W102.8	1	SNA
2-3	DB63-02824B	COVER VALVE	WB chassis,PP+TD20%,T2,EARTH BROWN,MT72S	1	SNA
3	DB90-07737P	ASSY CABI FRONT	NEW SI_FIN&TUBE COND,NEW ASSY GUARD- FAN	1	SA
3-1	6002-000481	SCREW-TAPPING	TH,+,NO,2S,M4.0,L12,NI PLT,SWRCH18A,ZnNi + TOP Coating	1	SA
3-2	DB64-02981B	CABINET FRONT	F-XS-03,GI-SGCC,T0.6	1	SNA
3-3	DB90-08047B	ASSY GUARD-FAN	N-WW	1	SA
3-3-1	DB63-03660A	GUARD FAN	AR12NVFPCWKXAZ,PP+TD20%,T1,EARTH BROWN,-,TB52U	1	SA
3-3-2	DB62-02912T	SEAL-GUARD FAN	-,LEX FOAM,-,T3,W12,L20,-,-,-,-,-,-	6	SA
4	DB90-07738C	ASSY CABI TOP	AC0**DXSCCG/AA	1	SA
4-1	DB64-02983B	CABINET TOP	N_Si,GI-SGCC,T0.7,3 Front holes	1	SA
5	DB90-07739R	ASSY CABI SIDE-RIGHT	TSE N-SI(CV COLD AREA)	1	SA
5-1	6002-000481	SCREW-TAPPING	TH,+,NO,2S,M4.0,L12,NI PLT,SWRCH18A,ZnNi + TOP Coating	1	SA
5-2	DB61-05754A	HOLDER-SENSOR	SI NORDIC PJT,PP+TD20%,T1.5,EARTH BROWN,TB72U,SSEC	1	SNA
5-3	DB61-07706A	PLATE-SUB	AC018BXSCCG/AA,GI-SGCC,T0.6,W86.8,L50,P520,Q480	1	SNA
5-4	DB64-03266D	CABINET SIDE-RH	N-SI (CV COLD AREA),GI-SGCC,T0.6	1	SNA
6	6009-001729	SCREW-SPECIAL	HWH,+,M5,L26,ZPC(WHT),SWRCH18A,SCREW- SPECIAL	4	SNA
7	DB95-05268C	SENSOR TEMP	L450,10kohm,3%,25C,Molding,AC,N-SI	1	SA
8	DB47-00089A	HEATER SHEATH	AC230V,N-SI Chassis,150W,SUS316L,L850,NONE, YH396-03VR(BLUE),MgO	1	SNA
9	DB60-00437A	FASTENER-NUT FLANGE	QMD,SWRCH10A,L6	1	SA
10	DB60-30028A	NUT-FLANGE	HWH,M8,ZPC(WHT),SWRCH18A,P1.25/Washer Type(WP)	3	SA
11	DB61-05755A	HOLDER-HEATER	SI AMBIENT,GI-SGCC,T0.7,W43.8,L15,SSEC	4	SNA
12	DB63-02341C	FELT-COMP SIDE	RAC,EVAR,FELT,T6.6,W250,L540	1	SNA
13	DB63-03386A	GROMMET ISOLATOR	NR,L33,ID11.5,OD34	3	SA
14	DB90-07728Q	ASSY BASE OUT	N-SI(Nordic)	1	SA
15	DB90-07834A	ASSY BRACKET MOTOR	F-XS-03(NEW SI),SSEC	1	SA
16	DB90-08039D	ASSY CABI SIDE-LEFT	N-SI(Nordic),GI-SGCC	1	SA
16-1	DB64-00992C	HANDLE-LF	AR12NSPXBWKXAZ,PP+TD20%,T2,W113,L48,MT 42S, EARTH BROWN,SSEC	1	SA
16-2	DB64-03478A	CABINET SIDE-LF	N-SI,GI-SGCC,T0.6	1	SNA
17	DB94-10483A	ASSY PARTITION	85L,NORDIC,INV,ASSY,LABEL,R-32	1	SNA
18	DB31-00706A	MOTOR BLDC FAN	ZKFN-45-10-9L,1000RPM,310V,0.014A,45W,10Pole,CW	1	SA
19	DB67-01407A	FAN PROPELLER	AR12NVFPCWKXAZ,PP+(GF+PD)40%,AR12NVF PCWKXAZ	1	SA
20	DB95-05762A	ASSY COMP	KTN130D42UFR,R32	1	SA
21	DB96-23270E	ASSY COND BENDING	SI,7PI, 2R24S, C1.5,4-4-2	1	SA
21-1	DB61-05340A	PLATE-COND LF	AQV12EWH,GI-SGCC,T0.7,W,-,-,-,SSEC	1	SA
22	DB97-01223L	ASSY ACCESSORY PARTS	HPGLOBAL	1	SNA
22-1	DB67-01533A	RUBBER-LEG	All frame,NR,BLACK	4	SA
22-2	DB67-20011A	DRAIN-PLUG OUT	ASH-1814ER,PP,NATURAL	1	SA
23	DB92-05778A	ASSY PBA KIT-OUT	OUTDOOR,24S_P2,24S_P2,Standard	1	SNA
24	DB93-17353A	ASSY CONNECTOR WIRE- COMP	3,3343,16,YEL,MG610876/WHT,MG634833/ WHT,-,250, CB-600/BLK,HS/YEL,175,70,-,-, COMP-WIRE,AR9500T,-	1	SA
25	DB82-08601A	SVC ASSY EEPROM-OUT	-,AC009DXSCCG, AA,N-SI, KTN130D42UFR, PF2_24S,-	1	SA
26	DB63-02320B	CLOTH COMP-OUT	QMD RAC(velcro less),EVAR/FELT,T6.6,HBF	1	SA
27	DB63-04617A	FELT-COMP TOP OUT	RAC,CLOTH/EVAR,T6,-,HBF,Air lite D2,Gray,DB63-02885	1	SA
28	DB96-25798B	ASSY TUBE SERVICE-BRACKET	N-SI, R32, KTN130D42UFR	1	SNA

Service Bom (SA: SERVICE AVAILABLE, SNA: SERVICE NOT AVAILABLE)

No.	Material Code	Description	Specification	QTY	SA/SNA
28-1	DB61-04339E	BRACKETVALVE	N-WW / N-SI,SGMCC,T1,W94,anti-corrosion	1	SA
28-2	DB96-24887C	ASSY TUBE EEV	AC018DXADKG/AZ,N-SI,18 kBtu,H/P;1.4C,4.6MPa	1	SA
28-2-1	DB62-11421B	VALVE COIL EXPAN	DC12V,COIL,500mm,MOLDING,T-type	1	SA
28-2-2	DB62-09652C	VALVE SERVICE-SPINDLE	BRASS,4.6MPa,R410A,6.35mm	1	SA
28-3	DB96-25797B	ASSY TUBE 4WAY	N-SI, R32, KTN130D42UFR	1	SA
28-3-1	DB62-11179C	VALVE 4WAY	BRASS,2HP, 4.6MPa, P Type,COMMON	1	SNA
28-3-2	DB62-09654D	VALVE SERVICE-SPINDLE	BRASS,R410A,9.52mm,4.6MPa	1	SNA
28-3-3	DB96-06998F	ASSY-SOLENOID COIL	WW3,SSEC	1	SA
29	DB81-00635A	SPRING ETC-SENSOR	DVM-SYSTEM,STS304,ID2.5,OD4.5,L44,T0.3,-,W2,NONE,-,-,-	2	SA
30	6002-000481	Screw-Tapping	SWRCH18A,NI PLT,L12,M4,TH,+,NO,2S,ZnNi + TOP Coating	22	SA

■ ASSY PBA KIT-OUT MODULE



Service Bom (SA: SERVICE AVAILABLE, SNA: SERVICE NOT AVAILABLE)

No.	Material Code	Description	Specification	QTY	SA/SNA
23	DB92-05778A	ASSY PBA KIT-OUT	OUTDOOR,24S_Pf2,24S_Pf2,Standard	1	SNA
23-1	0205-000178	GREASE-SILICON	YG6111,WHITE, for assemble Heat Sink,1Kg	0.002	SNA
23-2	DB37-00033D	TERMINAL BLOCK	DAF-4P-M,MELAMINE,300V,25A,58.7X36.4X22mm,D4,NO,4P,TAB-SCREW,1(L),2(N),L,N	1	SA
23-3	DB61-07235A	CASE PCB	NEW #3 CONTROLLER,ABS,T2,L185.3,BLACK,VE-0858	1	SA
23-4	DB61-08334A	CASE CONTROL-OUT	RAC 85L,HIPS,T2,L262,BLACK,-,STYRON 6300,-	1	SNA
23-5	DB61-08333A	PLATE CONTROL	CAC MODEL,GI-SGCC,T0.6,-,-,-	1	SNA
23-6	DB62-13720A	HEAT SINK	AR9500T,Al,T3,W58,L141,BLACK,H47,-,-,Soft Anodizing BLK	1	SNA
23-7	DB63-04643A	COVER CONTROL-OUT	RAC 85L,GI-SGCC,T0.25,-,-,-,-	1	SNA
23-8	DB65-00274A	TERMINAL BLOCK	TERMINAL BLOCK,Polycarbonate, Phenol,AC300V,20A,22x36.4x24.2mm,0mm,D,-,-,2P,-,B_Type	1	SA
23-9	DB91-00306A	SCREW-MACHINE	SWRCH10A,ZPC(WHT),L16,M3,PH,+WSP,2,BLDC INV	3	SA
23-10	DB92-05777A	ASSY PCB INVERTER	INVERTER,INV_24S_Pf2,260X160mm,220V-240V,18V/12V/5V,INV_24S_Pf2,Y,SMPS,Standard	1	SA
23-10-1	DB91-00306A	SCREW-MACHINE	SWRCH10A,ZPC(WHT),L16,M3,PH,+WSP,2,BLDC INV	2	SA
23-11	DB92-05815A	ASSY PCB MAIN-OUT	MAIN,24T_CAC_AC5000B,180x80mm,220-240V,5V/12V,R32 CAC SML MAIN,N,Standard	1	SA
23-12	DB93-05434G	ASSY CONNECTOR WIRE- SN	2,1015,18,BRN,ST730620-3,ST730620-3,-,150,-,-,RING23.5,3,TB-TB,CAC,N,-,PAC,#4,5,JUMP,CORE	1	SA
23-13	DB93-09497B	ASSY CONNECTOR WIRE	3,1015,16,RED,MG625040/WHT,DBT061-03P/WHT,-,200,-,-,-,PBA-COMP,AQV09PSBTX2XAZ,-	1	SA
23-14	DB93-10906C	ASSY CONNECTOR WIRE- EARTH	1,1015,18,YEL/GRN,ST730711-3,ST710095-3,-,200,-,-,-,PBA-PLATE,VENICE,CAC	1	SA
23-15	DB93-10906B	ASSY CONNECTOR WIRE- EARTH	1,1015,18,YEL/GRN,ST730711-3,ST710095-3,-,280,-,-,-,PBA-EARTH,FAC OUTDOOR	1	SA
23-16	DB93-16402A	ASSY CONNECTOR WIRE- COMM	2,1007,22,RED,YH396-02VR/RED,175020-1,-,250,PVC/BLK,200,-,-,PBA-T/B,RAC,-	1	SA
23-17	DB93-18070A	ASSY CONNECTOR WIRE- POWER	2,1015,16,BRN,MG630591T/WHT,ST730620-3,300,-,-,-,PBA-TB,AR9500T,AR9500T,INV_Pf2_24S,-	1	SA
23-18	DB93-16974A	ASSY CONNECTOR WIRE- POWER	2,1015,18,BRN,YH396-03VR/BLK,YH396-03VR/WHT,-,200,PVC/VW-1/8PI/BLK,150,-,-,PBA-PBA,AC072RX4PBH3	1	SA
23-19	DB93-17033A	ASSY CONNECTOR WIRE- DC SIGNAL	8,2095,26,BRN,SMH250-08L/WHT,SMH250-08L/WHT,-,200,-,-,-,PBA-PBA,CAC R32	1	SA
23-20	DB93-17517A	ASSY CONNECTOR WIRE- HIGH PRESSURE POWER	1,1015,22,WHT,YH396-02VR/WHT,-,-,50,-,-,-,-,22S_PMA_AJF600E,HIGH PRESSURE JUMP	1	SA
23-21	DB93-18071A	ASSY CONNECTOR WIRE- MOTOR	3,1569,22,RED,YH396-05PLZ/WHT,SMH250-05LZ/BLK,200,-,-,-,PBA-MOTOR,AR9500T,AR9500T,INV_Pf2_24S,-	1	SA