

SUBMITTAL - 12KNAS1

Job Name: _____	Date: _____
Location: _____	



Indoor Unit: **ASUH12KNAS**

Outdoor Unit: **AOUH12KNAS1**

FEATURES

INDOOR UNIT:

- Compact wall-mounted indoor unit providing superior comfort and a premium aesthetic
- Indoor unit with ProCore™ (High Corrosion Resistant Copper) coils for long-lasting protection against corrosion
- Whisper-quiet operation with sound levels as low as 20dB
- Multiple fan speed options; Auto, High, Med, Low, and Quiet.
- Special Operation modes available:
 - Economy Mode
 - Energy Saving Mode
 - Powerful Mode
 - Auto-restart function
 - Auto Changeover
- Enhanced controls platform for seamless, intuitive operation:
 - Wireless remote controller included with the indoor unit
 - Optional Wi-Fi connectivity with Airstage Mobile App monitoring and control via compatible USB WLAN adapter



OUTDOOR UNIT:

- Low GWP R-32 systems for reduced environmental impact
- INVERTER-driven compressor delivering high efficiency and comfort.
- Compact outdoor unit with extended line set lengths up to 65ft (20m)



7 Year Compressor, 5 Year Parts out-of-the-box Warranty.



10 Year Compressor, 10 Year Parts Warranty when registered within 60 days of installation in a residence.



12 Year Compressor, 12 Year Parts Warranty when registered within 60 days of installation in a residence and installed by a Fujitsu Elite contractor.



Due to continuous product improvements, specifications are subject to change without notice. Please log in to the Fujitsu Portal for the most up-to-date documentation <https://connect.fujitsugeneral.com>

Version: 20250929A

-1 of 6-

SUBMITTAL - 12KNAS1

SPECIFICATIONS:

Indoor Unit				ASUH12KNAS		
Outdoor Unit				AOUH12KNAS1		
System Name				12KNAS1		
AHRI Number				217505656		
SEER2	Cooling		Btu/hW	18		
EER2	Cooling		kW/kW	--		
HSPF 2 (IV) / HSPF 2 (V)	Heating		Btu/hW	10.35		
COP2	Heating		kW/kW	9 / 7.2		
Outdoor Operation Range		Cooling	°F (°C)		50 to 122 (10 to 50)	
Outdoor Operation Range		Heating	°F (°C)		5 to 75 (-15 to 24)	
Indoor Capacity	Cooling		Rated	Btu/h	12,000	
	Cooling		Min.—Max.		3,100—12,500	
	Heating	47°FDB (Outdoor temp.)	Rated		12,000	
		17°FDB (Outdoor temp.) ¹	Min.—Max.		3,100—13,900	
			Rated		7,500	
		5°FDB (Outdoor temp.) ²	Max.		10,100	
	Rated		8,200			
			Max.		8,800	
Outdoor Connection pipe	Size	Liquid	in (mm)	Ø1/4 (Ø6.35)		
		Gas		Ø3/8 (Ø9.52)		
	Method		FLARE			
	Pre-charge length		ft (m)	49 (15)		
	Min. length			10 (3)		
	Max. length			65 (20)		
Max. height difference		49 (15)				
Indoor Dimensions (H × W × D)	Net		in (mm)	9-13/16 × 30-5/16 × 8-9/16 (250 × 770 × 218)		
	Gross			10-13/16 × 33-1/16 × 12-3/16 (274 × 840 × 310)		
Indoor Weight	Net		lb (kg)	17 (7.5)		
	Gross			22 (10.0)		
Outdoor Dimensions (H × W × D)	Net		in (mm)	21-5/16 × 26-1/8 × 11-7/16 (541 × 663 × 290)		
	Gross			23-11/16 × 31-5/8 × 14-3/4 (602 × 804 × 375)		
Outdoor Weight	Net		lb (kg)	55 (25)		
	Gross			64 (29)		
Indoor Fan	Airflow rate	Cooling	High	CFM (m ³ /h)	365 (620)	
			Med		288 (490)	
			Low		218 (370)	
			Quiet		141 (240)	
		Heating	High		377 (640)	
			Med		288 (490)	
			Low		235 (400)	
			Quiet		153 (260)	
	Type × Qty		CROSSFLOW FAN × 1			
	Motor output		W		27	
Outdoor Fan	Airflow rate	Cooling	CFM (m ³ /h)	1,001 (1,700)		
		Heating		865 (1,470)		
	Type × Qty		PROPELLER FAN × 1			
Motor output		W		23		
Indoor Sound Pressure Level ⁴	Cooling	High	dB (A)	41		
		Med		35		
		Low		28		
		Quiet		20		
	Heating	High		41		
		Med		35		
		Low		30		
		Quiet		22		
Outdoor Sound Pressure Level ⁴	Cooling			48		
	Heating			48		

SUBMITTAL - 12KNAS1

SPECIFICATIONS:

Outdoor Refrigerant	Type		R32
	Charge	lb oz	1 lb 7 oz
		g	650
Additional Charge Calculation		oz/ft	0.22
		g/m	20
Outdoor Refrigerant Oil	Type		RB74AF
	Amount	in ³ (cm ³)	14.6 (240)
Indoor Moisture removal		pints/h (L/h)	3.3 (1.57)
Indoor Drain hose	Material		POLYPROPYLENE + HIGH-DENSITY POLYETHYLENE
	Tip Diameter	in (mm)	I.D.: Ø17/32 (Ø13.8) O.D.: Ø19/32 to 21/32 (Ø15 to 16.8)
Indoor Operation range	Cooling	°F (°C)	64 to 90 (18 to 32)
	Heating	%RH	80 or less
Power Supply		°F (°C)	60 to 86 (16 to 30)
Available Voltage Range			208/230 V~ 60 Hz
			187—253
Indoor Current	Cooling	Rated	5.4
	Heating		5.0
Maximum Operating Current ³		Cooling	6.9
		Heating	7.9
Outdoor Starting Current			5.4
MCA ⁵			9.7
Wiring spec. ⁶	MAX. CKT. BKR ⁷		15
Indoor Input Power	Cooling	Rated	1.16
		Min.—Max.	0.23—1.44
	Heating	Rated	1.05
		Min.—Max.	0.21—1.66
		Rated	0.84
		Max.	1.24
	Rated	1.10	
	Max.	1.12	
Indoor Power Factor	Cooling	%	93.4
	Heating		91.3

NOTES:

- Cooling: Indoor temperature of 80°F(26.67°CDB)/67°FWB(19.44°CWB), and outdoor temperature of 95°FDB(35°CDB)/75°FWB(23.9°CWB).
- Heating: Indoor temperature of 70°FDB(21.11°CDB)/60°FWB(15.56°CWB), and outdoor temperature of 47°FDB(8.33°CDB)/43°FWB(6.11°CWB).
- 17°FDB(Outdoor temp.) —1: Heating (17°F): Indoor temperature of 70°FDB(21.11°CDB)/60°FWB(15.56°CWB), and outdoor temperature of 17°FDB(-8.33°CDB)/15°FWB(-9.44°CWB).
- 5°FDB(Outdoor temp.) —2: Heating (5°F): Indoor temperature of 70°FDB(21.11°CDB)/60°FWB(15.56°CWB), and outdoor temperature of 5°FDB(-15.0°CDB)/4°FWB(-15.56°CWB).
- Test conditions are based on AHRI 210/240 2023.
- 4: Indoor Sound Pressure Level, —Measured values in manufacturer's anechoic chamber.
- Outdoor Sound Pressure Level —Because of the surrounding sound environment, the sound levels measured in actual installation conditions might be higher than the specified values here.
- 3: Maximum Operating Current —Maximum current is maximum value when operated within the operation range.
- The total current of indoor unit and outdoor unit.
- MCA —5: Minimum Circuit Ampacity (Calculation based on UL60335-2-40)
- 6: Selected sample based on Japan Electrotechnical Standards and Codes Committee E0005.
- Wiring spec. As the regulations of wire size and circuit breaker differ in each country or region, select appropriate devices complied to the regional standard.
- MAX. CKT. BKR —7: Maximum Circuit Breaker

System continues to operate below rated outdoor operation temperature range, subject to varying conditions. System has no low temperature cut out. Capacity is not tested outside of the rated temperature range.

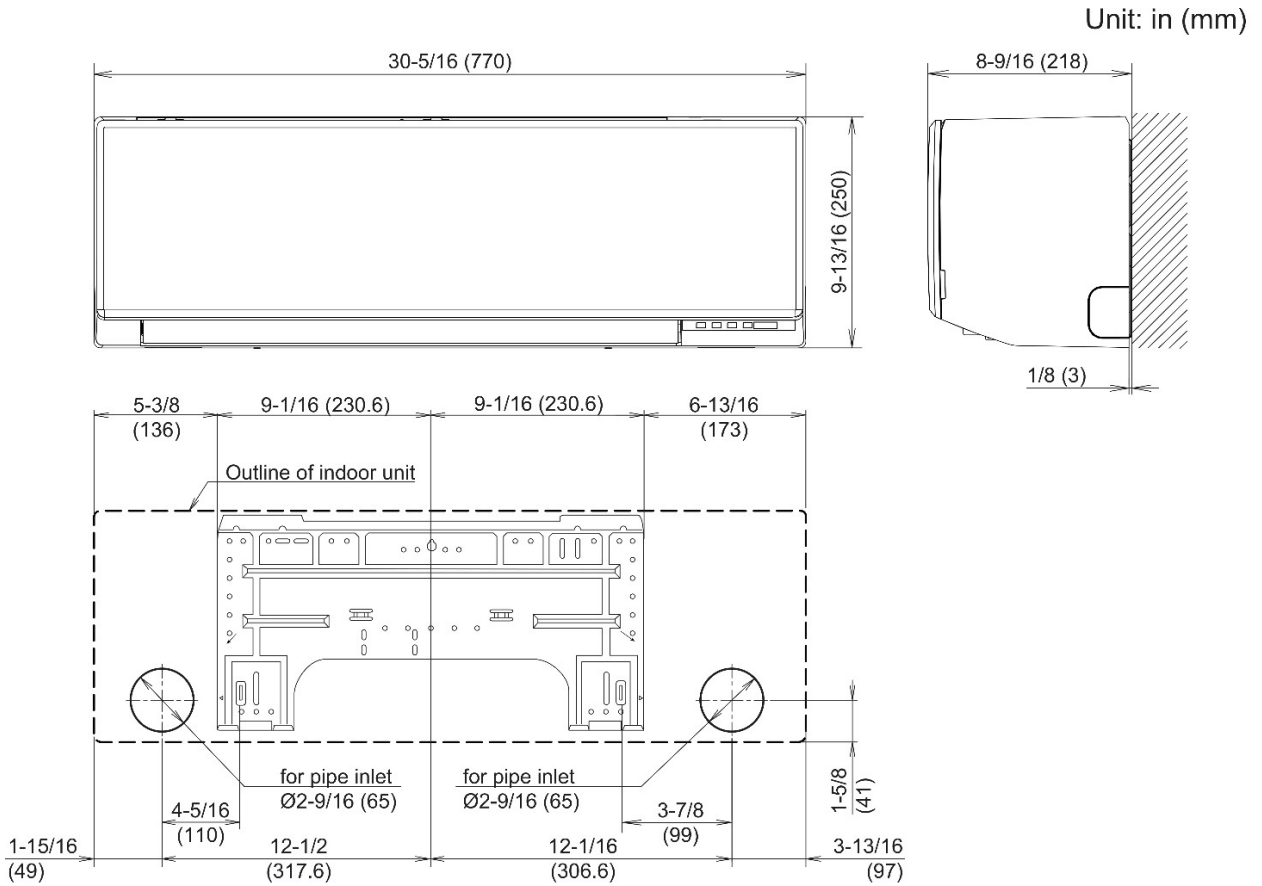
SUBMITTAL - 12KNAS1

ACCESSORIES:

Model Number	Description
UTY-TFSXH4	Wi-Fi Adapter (WiFi Interface Module USB Type)
FJ-IR-WIFI-1NA	Intesis IR Wireless AC Cloud Control Interface (Intesis Home app)

SUBMITTAL - 12KNAS1

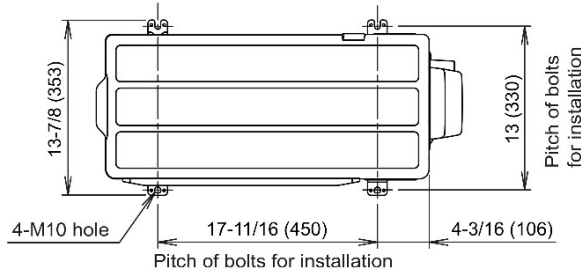
INDOOR UNIT DIMENSIONS:



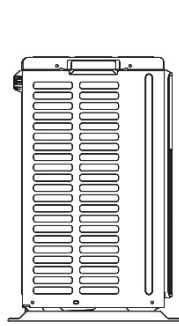
SUBMITTAL - 12KNAS1

OUTDOOR UNIT DIMENSIONS:

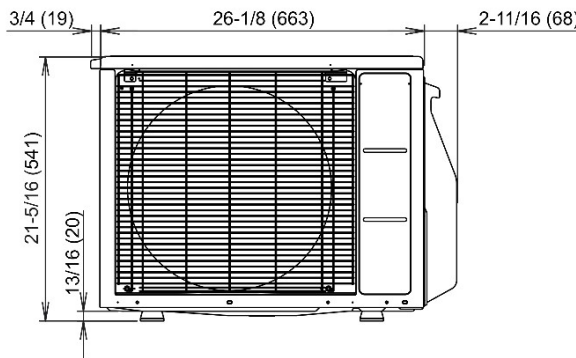
Unit: in (mm)



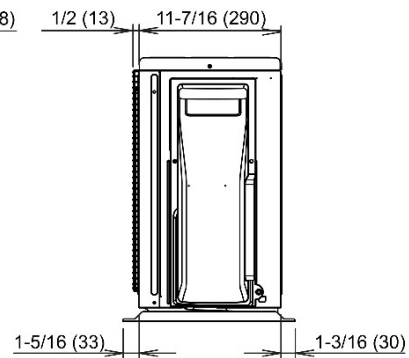
Top view



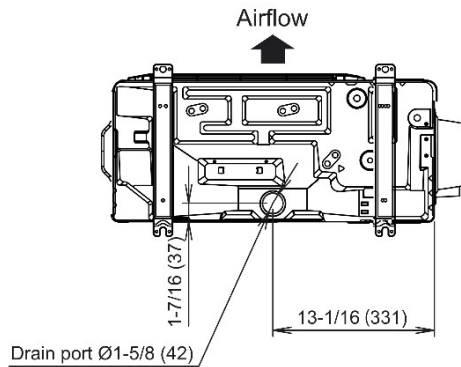
Side view



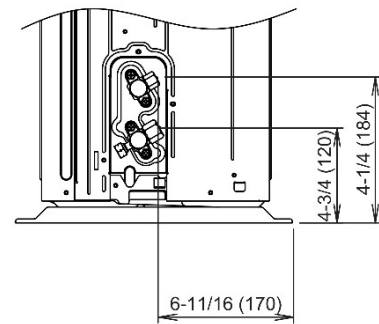
Front view



Side view



Bottom view



Side view (Valve part)

The Fujitsu logo is a worldwide trademark of Fujitsu General Limited. The Airstage logo and name is a worldwide trademark of Fujitsu General Limited and is a registered trademark in Japan, the USA and other countries or areas. Copyright 2025 Fujitsu General America, Inc. Fujitsu's products are subject to continuous improvements. Fujitsu reserves the right to modify product design, specifications and information in this brochure without notice and without incurring any obligations.