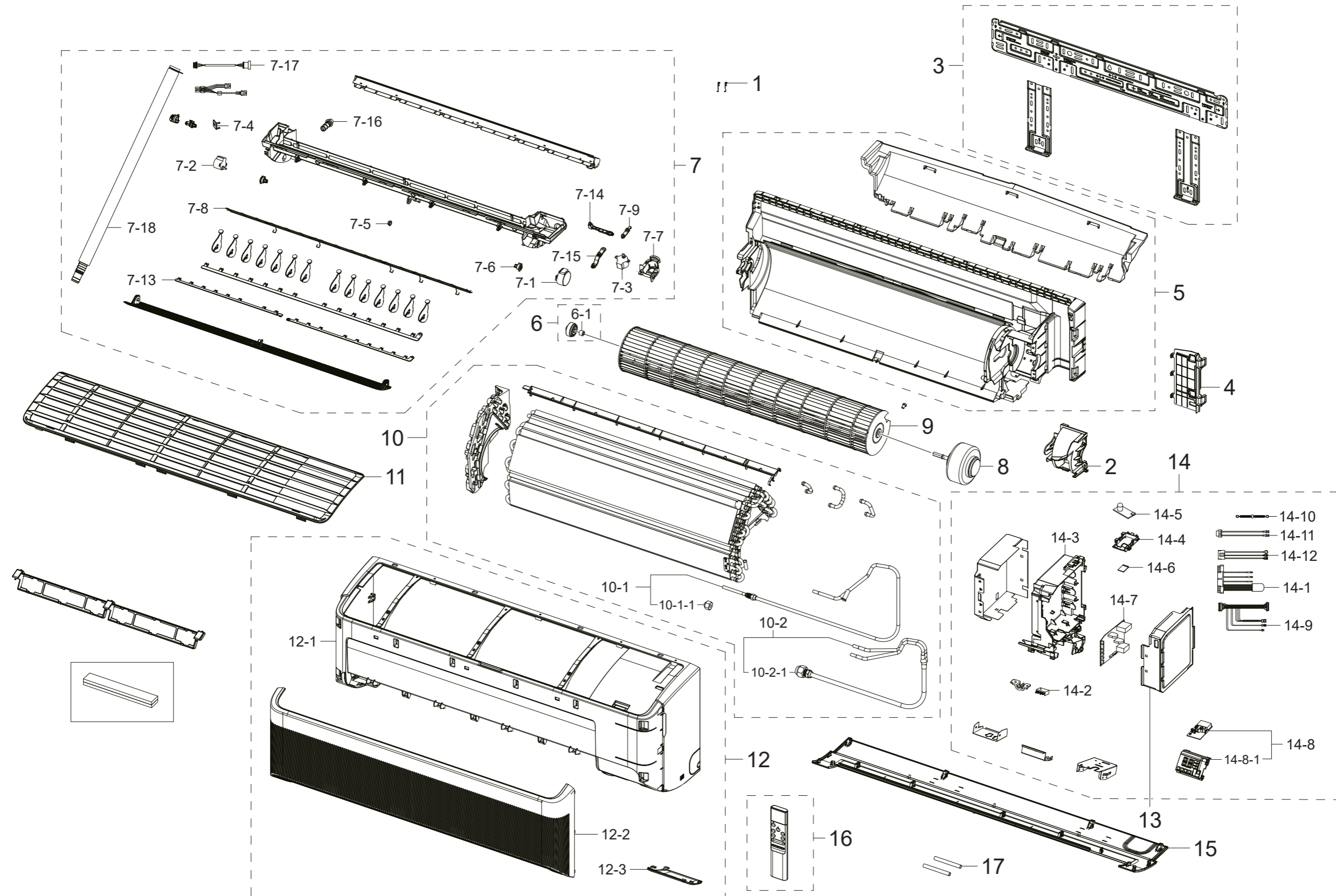


Exploded Views and Parts List

■ AC024DNADCG/AA



Service Bom (SA: SERVICE AVAILABLE, SNA: SERVICE NOT AVAILABLE)

No.	Parts Code	Parts Description	Spec.	Qty	SA/SNA
1	DB67-60030A	SPRING-SENSOR	WW2-PJT,STS301,0.4mm,T0.4,NONE,W2.7	2	SA
2	DB63-04215B	COVER MOTOR	PP+TD30%,T1.8,HB,BLACK,-,SSPP-T30	1	SA
3	DB90-11454B	ASSY HANGER	AR9500T,QMD RAC 3	1	SA
4	DB61-07413B	HOLDER-PIPE	RAC QMD,PP,T2,D,BLACK,-,-,P-001S	1	SA
5	DB94-07970B	ASSY BACK BODY	AR9500T,QMD RAC 3, CV	1	SA
6	DB94-00455B	ASSY-RUBBER BEARING	AR18MC5UDMCNNA,ASSY	1	SC
6-1	DB94-40007B	ASSY BEARING	G1-PJT,SSEC	1	SC
7	DB94-07997A	ASSY TRAY DRAIN-MODULE	DA WHITE,QMD RAC 3,WIND FREE	1	SA
7-1	DB31-00371C	MOTOR STEP	-,DC12V,650gf.cm,E CLASS,5.625deg,1/64	1	SA
7-2	DB31-00371A	MOTOR STEP	-,DC12V,650gf.cm,E CLASS,1W,5.625deg,1/64	1	SC
7-3	DB31-00695A	MOTOR STEP2P	STEP MOTOR,DC 12V,650gf.cm,E CLASS,1W,5.625deg,1/64	1	SA
7-4	DB61-06989A	HOLDER WIRE	F11-RAC,HIPS,W16.5,L17,BLACK,HI650,MOTOR	1	SA
7-5	DB61-07418A	HINGE BLADE-A	AR9500,POM,T0.7,NATURAL,W10.1,F20-03,-	2	SA
7-6	DB61-07419A	HINGE BLADE-B	AR9500,POM,T0.7,NATURAL,W16.1,F20-03,-	2	SA
7-7	DB61-07440A	CASE MOTOR	QMD RAC,HIPS,T2,L53.2,BLACK,XQ83180,CASE STEP MOTOR	1	SA
7-8	DB63-04249A	GUARD-SCREEN	AR9500T,MSWR,T1,BLACK,QMD3,L827.4	1	SA
7-9	DB66-01727A	LINK BLADE-C	A3050, F-RAC-04,POM,NATURAL	1	SA
7-10	DB66-02034A	LINK BLADE-A	AR9500,POM,L408.1,T2.5,BLACK,QMD RAC3	1	SA
7-11	DB66-02038A	BLADE V	AR9500,PP,T1.6,BLACK,QMD RAC_NO WIND(AUTO)	17	SA
7-12	DB66-02042A	BLADE H	AR9500,ABS,T3.3,DA WHITE,QMD RAC3_No WIND	1	SA
7-13	DB66-02047A	LINK BLADE-A	AR9500,POM,L352.7,T2.5,BLACK,QMD RAC3	1	SA
7-14	DB66-02048A	LINK BLADE-B	AR9500,POM,L63.9,T2.2,BLACK,QMD RAC3	1	SA
7-15	DB66-02049A	LINK BLADE-D	AR9500,POM,L66.8,T2.2,BLACK,QMD RAC	1	SA
7-16	DB73-00180A	RUBBER-CAP DRAIN	SS-PJT,EPDM,T3,PM GRAY,L 40	1	SA
7-17	DB93-17189C	ASSY CONNECTOR WIRE	5,2095,26,RED,SMH200-H05H3/BLK,25045HP-05A/WHT,-,1200	1	SA
7-18	DB94-02195B	ASSY DRAIN-HOSE	ALL,HOSE DRAIN L550mm	1	SA
8	DB31-00637A	MOTOR BLDC FAN	RD-310-25-8B,1500,310V,1,27W	1	SA
9	DB94-03085A	ASSY FAN CROSS	HAWAII PJT,PI106.5xL830.5	1	SA
10	DB96-24840F	ASSY EVAP-MODULE	S3-7,L825.5, 4BY4, AUSTRALIA	1	SA
10-1	DB96-24853C	ASSY TUBE EVAP-IN	S3-6, AUSTRALIA,1/4", PINCH	1	SNA
10-1-1	DB60-30010A	FASTENER-NUT FLARE	-,BRASS,-,-,-,-,-,-,-	1	SA
10-2	DB96-24864B	ASSY TUBE EVAP-OUT	S3-7, AUSTRALIA,5/8", CAP	1	SNA
10-2-1	DB60-30010D	FASTENER-NUT FLARE	-,BRASS,-,-,-,-,-,-,-	1	SA
11	DB63-04209B	FILTER AIR-PRE MODULE	AR9500T, QMD RAC3,HIPS,DA WHITE,WHITE, Non-Zeomic	1	SA
12	DB92-04824X	ASSY PANEL FRONT	GEO,QF3,WHITE DISPLAY, No Printing, No Hole	1	SA
12-1	DB64-03461A	PANEL FRONT	AR9500T, QMD RAC3, WIND-FREE,HIPS,XQ83180,DA WHITE	1	SA
12-2	DB64-03472A	GRILLE INLET	AR9500T, QMD RAC3, WIND-FREE,,HIPS,T3,DA WHITE,XQ83180	1	SA
12-3	DB93-17180S	ASSY DISPLAY	WHITE DISPLAY,No Hole,1Coat, No Printing	1	SA
13	DB61-07430A	PLATE CONTROL-RIGHT	AR9500T,GI-SGCC,T0.3	1	SA
14	DB92-05780C	ASSY PBA KIT-IN	HW,INDOOR,24T_CAC_AC5000B,CAC_R32_QMD RAC_Wi-Fi_PL Free,Standard	1	SNA
14-1	DB32-00272B	SENSOR HUMIDITY	5V,20-90%RH,AC,DLX,5%,200mm,28P	1	SA
14-2	DB37-00033A	TERMINAL BLOCK	DAF-4P-M,MELAMINE,300V,25A,58.7X36.4X22mm,D4,NO,4P	1	SA
14-3	DB61-07432D	CASE CONTROL-IN	AR9500T,ABS,-,L260,BLACK,-,VE-0858,Dfa	1	SA
14-4	DB61-07433A	CASE PCB	AR9500T,HIPS,L52.4,BLACK,XQ83180,QMD RAC 1, 2, 3	1	SA
14-5	DB92-02809A	ASSY PCB SUB	COMM,DVM NASA_RAC,58*40,N,-,-,-,-	1	SA

Service Bom (SA: SERVICE AVAILABLE, SNA: SERVICE NOT AVAILABLE)

No.	Parts Code	Parts Description	Spec.	Qty	SA/SNA
14-6	DB92-04020A	ASSY PCB SUB	SUB,-,20*25,-,-,-,Indoor EEPROM,N,Standard	1	SA
14-7	DB92-05772B	ASSY PCB MAIN-IN	MAIN,24T_CAC_AC5000B,142x120mm,220V-240V,5V/12V/15V,27W,CAC_R32_QMD RAC_Wi-Fi_PL Free,Y,SMPS,Standard	1	SA
14-8	DB92-05761A	ASSY PCB DISPLAY	DISPLAY_DLX_TP1X,AM7500K, WHT,50x84.5mm,88,AI,TIMER,WI-FI, R32,N,Standard	1	SA
14-8-1	DB61-07899A	CASE-LED	AR9500T,HIPS,T1.8,L89.8,BLACK,-,HIPS 3315,-	1	SA
14-9	DB93-14039B	ASSY CONNECTOR WIRE	20,1007,26,RED,YDH200-20P/BLK,SMH200-H14H3/WHT	1	SA
14-10	DB93-14245D	ASSY CONNECTOR WIRE-EARTH	1,1015,16,YEL/GRN,ST710095-3,ST710095-3,-,380	1	SA
14-11	DB93-17055B	ASSY CONNECTOR WIRE-COMM	2,1007,22,RED,SMH250-03L/RED,179973-1,-,270,PVC TUBE,200	1	SA
14-12	DB93-17169A	ASSY CONNECTOR WIRE- POWER	3,1015,18,BRN,YH396-05VR/BLU,175022-1,ST710095-3,150	1	SA
15	DB90-13447B	ASSY COVER-PANEL	QF3,DB68-13027A	1	SA
16	DB96-25924H	ASSY WIRELESS REMOCON	24. SYS ENG,RS-9,ENGLISH,16.5*27.2,°C/°F,SYS,HEAT PUMP,SAMSUNG	1	SA
17	DB81-01328A	INSULATION	PO,T0.5,W8,L70,-,BLACK,-,-	2	SA