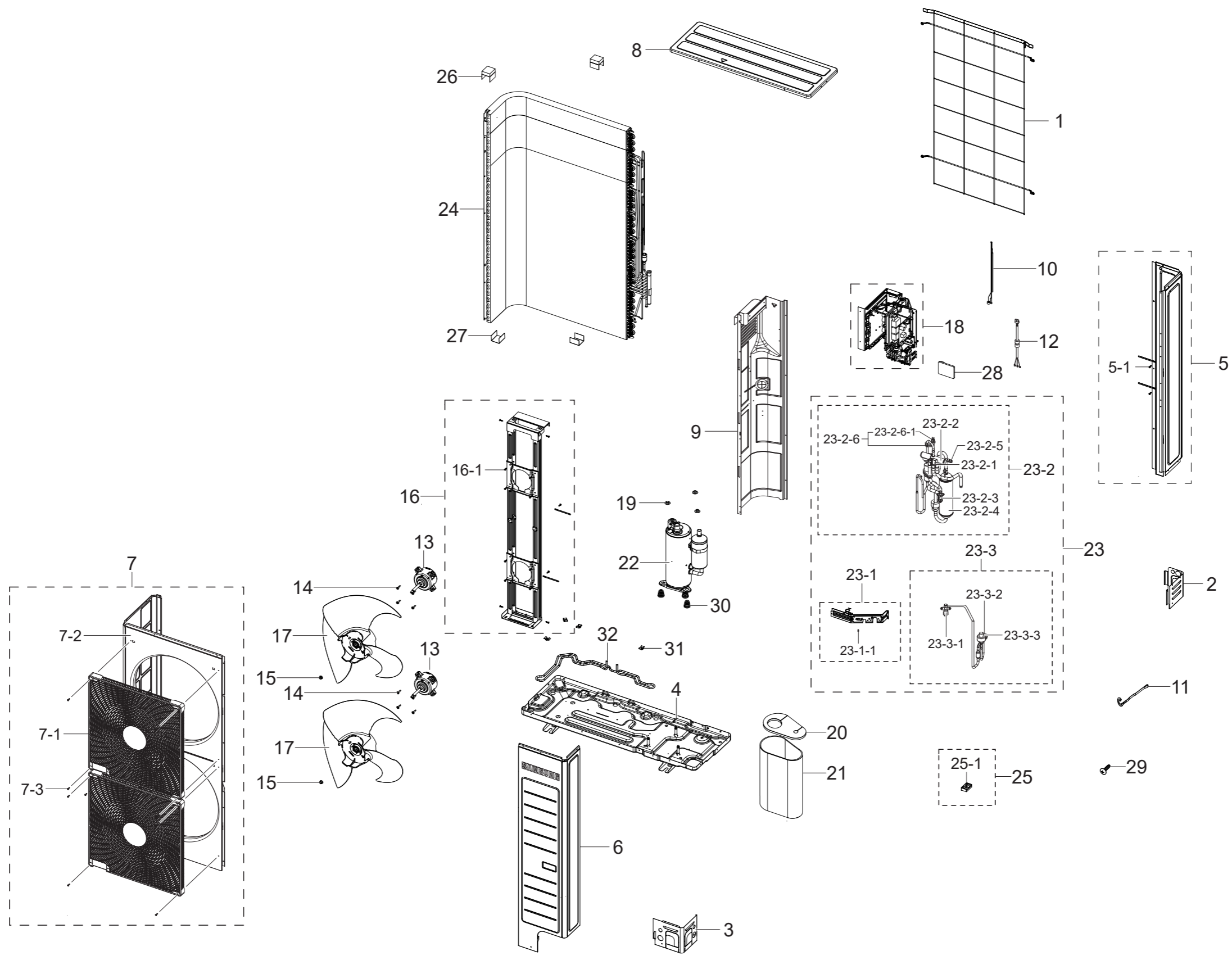


Exploded Views and Parts List

■ AC036DXSCCG/AA

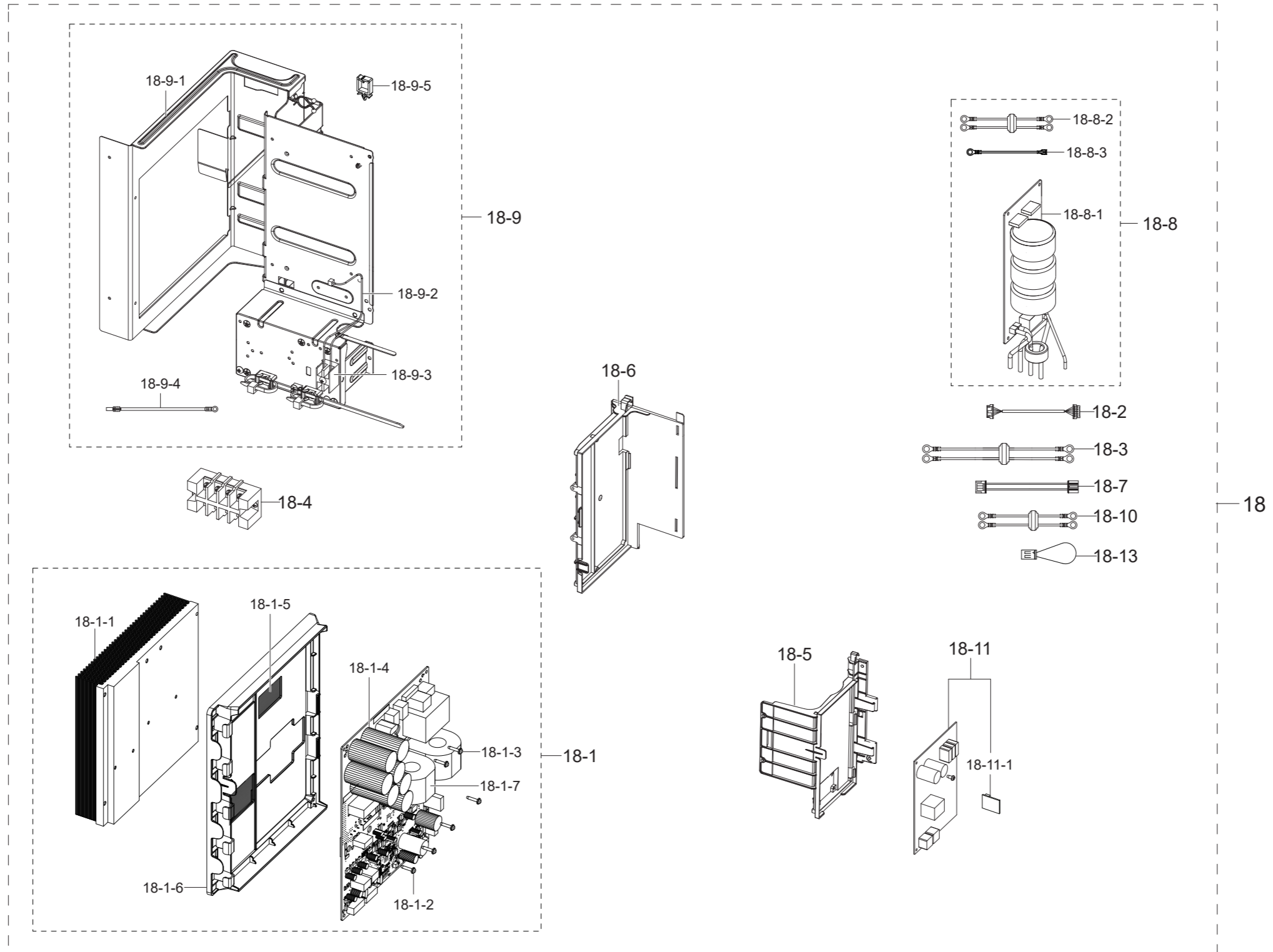


■ Parts List

No.	Code No.	Description	Specification	QTY	SA/SNA
1	DB63-02729D	GUARD COND	RC100ZXHEA,MSWR-SWRM,EARTH BROWN,DAC- GY1001S,744.5,1194,UB3	1	SA
2	DB64-03527A	CABINET BACK-LOW	AC024BXADCH/AA,GI-SGCC,T1,UB	1	SA
3	DB64-03526A	CABINET FRONT-LOW	AC024BXADCH/AA,GI-SGCC,T1	1	SA
4	DB90-12252A	ASSY BASE OUT	AC036BXSCCH/AA,MAX HEATER	1	SA
5	DB90-05905G	ASSY CABI BACK-RH	AC048KXQPC/AA,UB3	1	SA
5-1	6002-000481	SCREW-TAPPING	TH,+,NO,2S,M4.0,L12,NI PLT,SWRCH18A,ZnNi + TOP Coating	2	SA
6	DB90-05906F	ASSY CABI FRONT RH	EHS MONO,UB3	1	SA
7	DB90-06030G	ASSY CABI FRONT-LF	AC036BXSCCH/AA,UB3	1	SA
7-1	DB63-04306A	GUARD FAN	AC9100A,PPT,3.5,EARTH BROWN	2	SA
7-2	DB64-02533F	CABINET FRONT-LF	AC036BXSCCH/AA,GI-SGCC,T0.8,UB3	1	SNA
7-3	6002-000481	SCREW-TAPPING	TH,+,NO,2S,M4.0,L12,NI PLT,SWRCH18A,ZnNi + TOP Coating	9	SA
8	DB90-05902E	ASSY CABINET-TOP	RC090MHXEA,EHS MONO	1	SA
9	DB94-02721F	ASSY PARTITION	AC145CXAFHH1,UB3	1	SA
10	DB32-00199F	SENSOR TEMP	SMH250-08/WHT,L1300,10kohm,3%,25C,Molding	1	SA
11	DB81-00635A	SPRING ETC-SENSOR	DVM-SYSTEM,STS304,R2.5,R4.5,44.0,3.2,0,NONE	2	SA
12	DB93-17893F	ASSY CONNECTOR WIRE-COMP	3,UL3343,12,RED,HLH1005-03/BLK,MG634833S/WHT,-,1100,PVC,105°C,OR48x30x15,8,PBA-COMP,AC5000B,GMCC	1	SA
13	DB31-00658J	MOTOR BLDC FAN	800rpm,310V,1.0A,125W,8Pole,CW	2	SA
14	DB60-00150A	SCREW-SPECIAL	HWH,M4,L26,ZPC(WHT),SWRCH18A	8	SA
15	DB60-00405A	FASTENER-WASHER	RC100ZXHEA,SWRCH10A,M8	2	SA
16	DB90-05970B	ASSY BRACKET MOTOR	RC140PHXEA,MANU	1	SA
16-1	6002-000481	SCREW-TAPPING	TH,+,NO,2S,M4.0,L12,NI PLT,SWRCH18A,ZnNi + TOP Coating	14	SA
17	DB94-04381A	ASSY FAN PROPELLER	DVM S ECO,520	2	SA
18	DB92-05561A	ASSY PBA KIT-OUT MODULE	INVERTER,AC5000B,23R_P F5_CBOX,Standard	1	SNA
19	DB60-30028A	NUT-FLANGE	HWH,M8,ZPC(WHT),SWRCH18A,P1.25/Washer Type(WP)	3	SA
20	DB63-04339A	FELT-COMP TOP IN	-,CLOTH/EVAR/FELT,T11.5,-,-,-	1	SA
21	DB63-03823A	CLOTH COMP-SIDE	AC140KXADGH/EU,EVAR/FELT,T1.5+T15	1	SA
22	DB95-05859A	ASSY COMP	AC145AX4FHH3	1	SA
23	DB96-25326E	ASSY TUBE SERVICE-BRACKET	UB3,HP,AA,ATQ420D1UNT1,R32	1	SNA
23-1	DB90-05874C	ASSY BRACKET-VALVE	RC100DHXEA,T1.2, UB	1	SA
23-1-1	6002-000481	SCREW-TAPPING	SWRCH18A,NI PLT,L12,M4,TH,+,NO,2S,ZnNi + TOP Coating	1	SA
23-2	DB96-25324D	ASSY TUBE 4WAY	UB3,HP,AA,ATQ420D1UNT1	1	SA
23-2-1	DB33-00002K	SOLENOID-COIL ASSY	220V	1	SA
23-2-2	DB62-12731B	VALVE 4WAY	BRASS,5HP,4.6MPa,COMMON	1	SA
23-2-3	DB62-09658D	VALVE SERVICE-SPINDLE	BRASS,4.6MPa,R410A,15.88mm	1	SA
23-2-4	DB96-14716B	ASSY TUBE TANK-ACCUMULATOR	AJ050RXH5BC1	1	SA
23-2-5	DB60-30010A	FASTENER-NUT FLARE	-,BRASS,-,-,-,1/4"	1	SA
23-2-6	DB96-24941D	ASSY SWITCH PRESSURE	HP/CO,DB34-00089A, 4.2MPa	1	SA
23-2-6-1	DB34-00089A	SWITCH PRESSURE	DC5mA,DC5V,4.2MPa,L1200,Au	1	SA
23-3	DB96-25320B	ASSY TUBE EEV	UB3,R32	1	SA

No.	Code No.	Description	Specification	QTY	SA/SNA
23-3-1	DB62-09654D	VALVE SERVICE	-,BRASS,-,-,R410A,-,-,9.52mm,-,-,4.6MPa	1	SA
23-3-2	DB62-08126A	VALVE COIL EXPAN	DC12V,COIL,1200mm,MOLDING,T-type	1	SA
23-3-3	DB62-12109C	VALVE EXPAN	-,STS304,-,-,-,2.4mm,500,794mm,-,-,T-type, 4.6MPa	1	SA
24	DB96-15771A	ASSY COND-MODULE	RC140PHXEA,INV	1	SA
25	DB97-25096A	ASSY PACKING	-,,"UAE"	1	SNA
25-1	DB73-20134A	RUBBER-LEG	V2-MD,NBR,10,BLACK	4	SA
26	DB90-06494A	ASSY HOLDER-PLATE COND	RC140PHXEA	2	SA
27	DB61-00943A	HOLDER-COND	RVMH100H1M0,GI-SGCC,T0.8,W43,L50, 10HP HOLDER-COND, TOP	2	SA
28	DB82-08606A	SVC ASSY EEPROM-OUT	AC036DXSCCG,AA,UB3,ATQ420D1UNT1,PF5_23S,-,-	1	SA
29	6002-000481	SCREW-TAPPING	TH,+,NO,2S,M4.0,L12,NI PLT,SWRCH18A,ZnNi + TOP Coating	15	SA
30	DB63-03269A	GROMMET-COMP INVERTER	NR	3	SA
31	DB61-05376A	HOLDER-HEATER	RC160MHXEA,STS316L,W15,L26	4	SA
32	DB47-00093A	HEATER SHEATH-BASE	AC230V,CAC,150W,SUS316L,L1900,YH396- 03V(BLUE),MgO	1	SA

■ ASSY PBA KIT-OUT MODULE



Parts List

No.	Code No.	Description	Specification	QTY	SA/SNA
18	DB92-05561A	ASSY PBA KIT-OUT MODULE	INVERTER,AC5000B,23R_PF5_CBOX,Standard	1	SNA
18-1	DB92-05559A	ASSY PBA KIT-INVERTER	INVERTER,AC5000B,23R_PF5_INV KIT,Standard	1	SA
18-1-1	DB62-13359B	HEAT SINK	23R_PF4_5,Al,T10,W204.5,L192,Silver,H46.9,-,SILVER,IGBT MODULE_INFINEON	1	SNA
18-1-2	DB91-00306A	SCREW-MACHINE	SWRCH18A,ZPC(WHT),L16,M3,PH,+,WSP,2,BLDC INV	4	SA
18-1-3	DB91-00307A	SCREW-MACHINE	SWRCH18A,ZPC(WHT),L16,M4,PH,+,WSP,2,WW-INV	2	SA
18-1-4	DB92-05543D	ASSY PCB INVERTER	HW,INVERTER,AC5000B,242X194mm,220~240V,15V,12V,5V,10W,23R_PF5,Y,SMPS,Standard	1	SA
18-1-5	0205-000178	GREASE-SILICON	YG6111,WHITE, for assemble Heat Sink,1Kg	0.0035	SA
18-1-6	DB61-07904A	CASE PCB	AC110BXAFHH1PP,ABS,-,L264,NATURAL,-,VE0860SE	1	SA
18-1-7	DB27-00140A	COIL HARMONIC	440uH,59.5x54x34mm,20A,OR40 " V",N	2	SNA
18-2	DB93-04273B	ASSY CONNECTOR WIRE- COMM	6,2095,26,BLU,SMH250-06L/WHT,SMH250-06L/WHT,-,850,-,-,-,PBA-PBA,CRYSTAL JUNIOR	1	SA
18-3	DB93-13687A	ASSY CONNECTOR WIRE- POWER	2,1015,12,BRN,ST710237-2,ST710237-2,-,360,-,-,TR29-18-15_C/T_RED,5,EMI PBA- T/B,AEN160BFBBA1,N,-,EHS,1PHASE, POWER, AWG12	1	SA
18-4	DB37-00034A	TERMINAL BLOCK	DFT40A-4P-M,MELAMINE,600V,40A,85.8x45x28.5mm,D5,NO,4P,SCREW-SCREW,1(L),2(N),L,N	1	SA
18-5	DB61-05743A	CASE-PCB	AM053FXMDCH/AA,HIPS,T2,L243.3,NATURAL,DVM MINI NASA	1	SA
18-6	DB61-04502D	CASE-EMI	RC090MHXEA,HIPS,NATURAL,VE-1877	1	SA
18-7	DB93-10809A	ASSY CONNECTOR WIRE- EMI TO MAIN POWER	2,1015,18,BRN,YH396-03V/WHT,YH396-03V/ WHT,-,150,-,-,-,UNKNOWN,GLOBAL 4WAY,N,-, RC140RHXEA	1	SA
18-8	DB92-04635A	ASSY KIT	EMI PBA,POWER WIRE,Korea_Efficient,Standard	1	SA
18-8-1	DB93-13593A	ASSY PCB SUB-EMI	HW,SUB,CAC-07,230*90,CAC,EHS-EMI,1-PHASE,N,N,Standard	1	SA
18-8-2	DB93-13687B	ASSY CONNECTOR WIRE- POWER	2,1015,12,BRN,ST710237-2,ST710237-2,-,150,-,-,TR29-18-15_C/T_RED,5,PBA-T/B, AC110RX- 4PBH3	1	SA
18-8-3	DB93-13692A	ASSY CONNECTOR WIRE- EARTH	1,1015,16,YEL/GRN,ST710095-2,ST730620-3,-,150,-,-,-,PBA TO PLATE,AEN250,N,-, EHS,EARTH,AWG16	1	SA
18-9	DB90-12261B	ASSY PLATE-CONTROL	AC5000B	1	SNA
18-9-1	DB90-05889D	ASSY CASE CONTROL	AC145JX4PHH1	1	SA
18-9-2	DB93-10808J	ASSY CONNECTOR WIRE- COMM	2,1015,22,RED,YH396-02VR/YEL,ST730678-3,179973-1,100,-,-,OP18C,OP18C,UNKNOWN,ND040WHXB1, N,-,ND040WHXB1,NASA MASTER	1	SA
18-9-3	DB65-00274A	TERMINAL BLOCK	TERMINAL BLOCK,Polycarbonate, Phenol,AC300V,20A,-,-,-,-,TAB-SCREW,B_Type	1	SA
18-9-4	DB93-17350A	ASSY CONNECTOR WIRE- EARTH	1,1015,18,YEL/GRN,MG634151/WHT,ST710095-3,-,100,-,-,-,PBA-Earth,Diffuser,-	1	SA
18-9-5	DB71-50021A	WIRE-SADDLE	PA,NTR,DAWS-2N®	2	SA
18-10	DB93-13687B	ASSY CONNECTOR WIRE- POWER	2,1015,12,BRN,ST710237-2,ST710237-2,-,150,-,-,TR29-18-15_C/T_RED,5,PBA-T/B, AC110RX- 4PBH3	1	SA
18-11	DB92-05606A	ASSY PCB MAIN-OUT	HW,MID_MAIN_ABOV,192x121mm,220~240V,12V/5V,12W,PLFree_CAC,Y,SMPS,Standard	1	SA
18-11-1	DB82-08606A	SVC ASSY EEPROM-OUT	AC036DXSCCG,AA,UB3,ATQ420D1UNT1,PF5_23S,-,-	1	SA