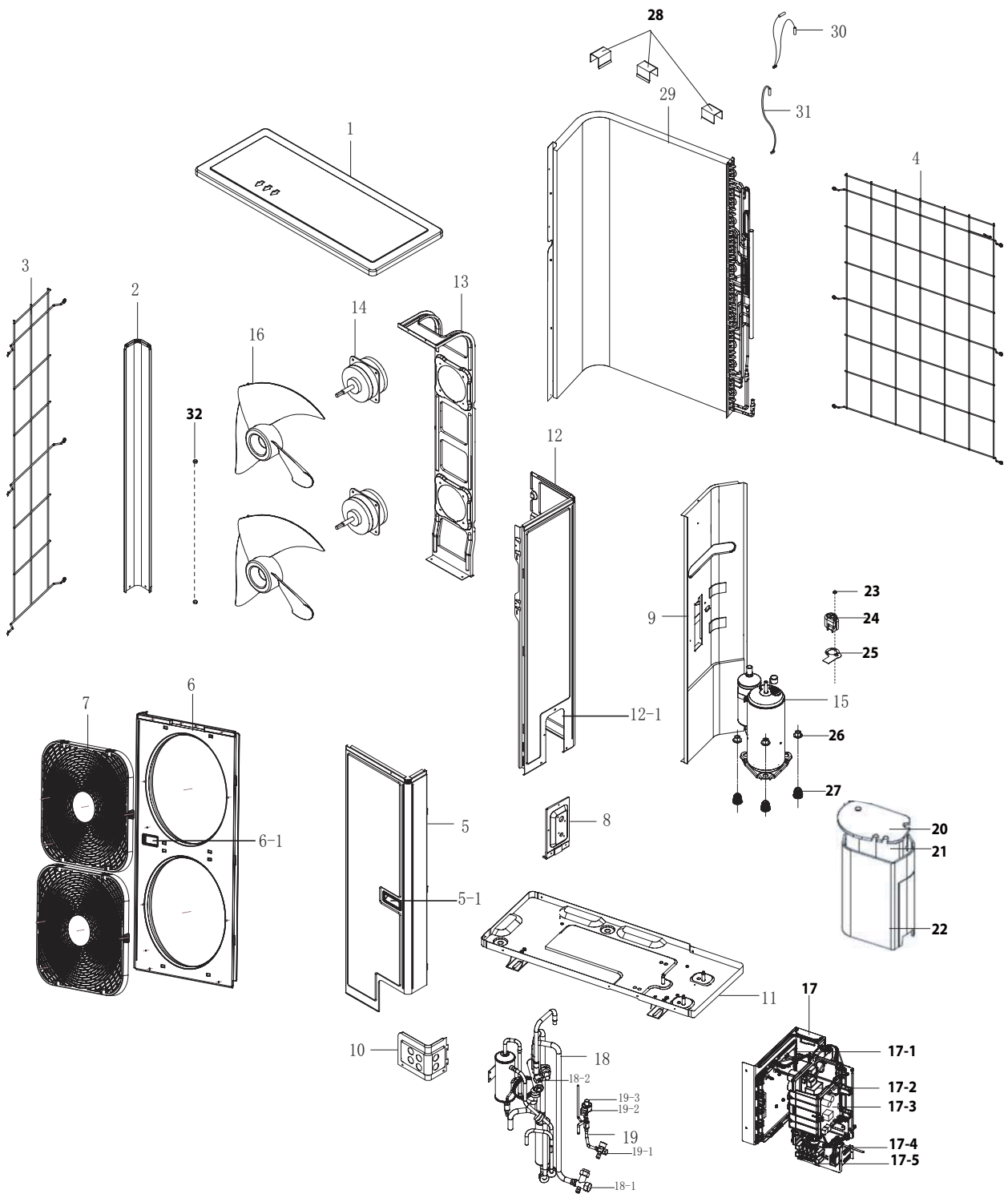


5-2 Outdoor Unit

AQX36VFUAGM/CV



■ Parts List

No	Parts Code	Parts Description	Spec.	Q'ty	SA/SNA
				AQN36VF UAGM/CV	
1	DB90-07222A	ASSY COVER TOP	UH140GZMC,SSEC	1	SA
2	DB90-07103A	ASSY CABI BACK-LF	UP110(&140)EAV,EHS PJT	1	SA
3	DB63-03316A	GUARD COND-B	MSWR,SSEC	1	SA
4	DB63-03315A	GUARD COND-A	MSWR,OD3.5,SSEC	1	SA
5	DB90-07219B	ASSY CABI FRONT RH	SSEC	1	SA
5-1	DB64-01231C	HANDLE	ABS	1	SNA
6	DB90-07220D	ASSY CABI FRONT-LF	SSEC	1	SA
6-1	DB64-01231C	HANDLE	ABS	1	SNA
7	DB63-02226D	GUARD FAN	GUARD FAN,PP+GF,SSEC	2	SA
8	DB90-07110A	ASSY BRACKET-VALVE	SSEC	1	SA
9	DB94-03569A	ASSY PARTITION	RC140SHXEC,SSEC,S50-2	1	SA
10	DB90-07117C	BRACKET-WIRE PAINT	SSEC	1	SA
11	DB90-07243E	ASSY-CABI BASE PART	SAMSUNG ROTARY 55F,S50-2	1	SA
12	DB90-07215G	ASSY CABI BACK-RH	RC140SHXEC,S50-2	1	SA
12-1	DB64-01231C	HANDLE	ABS	1	SNA
13	DB94-01767A	ASSY BRACKET MOTOR	UH140EAV,SGCC-M,1.6,SSEC	1	SA
13-1	DB90-02583B	ASSY-MOTOR BRACKET SUB	AP55Q0AXIMG,SSEC	1	SA
14	DB31-00512F	MOTOR FAN	FMBC531SSK,124[W],1050RPM,DC310V,M AX IC 85°C,1500mm , Class E	2	SA
15	UG5T360FUCEKSS	COMPRESSOR	RCP,55,F,R410A	1	SA
16	DB67-00861A	FAN-PROPELLER	WW3,AS+GF20%,460,3,T3.5,SSEC,	2	SA
17	DB93-09771D	ASSY CONTROL OUT	HP,INV,AQV36UGAKCV	1	SNA
17-1	DB93-11112D	ASSY PCB MAIN-INVERTER	RC100DHXEA, RC100PHXEA, RC125PHXEA,Inverter Platform	1	SA
17-2	DB93-12326C	ASSY PCB MAIN-OUT	RAC OUT DOOR,Inverter Platform #4, #5, #6 MAIN,Y,SMPS.TOP264VG,5Vdc, 12Vdc	1	SA
17-3	DB93-11110A	ASSY PCB SUB-EMI	GLOBAL-4WAY OUTDOOR,Inverter Platform #4, #5 1Phase EMI,N	1	SA
17-4	DB65-00061H	TERMINAL BLOCK	FORTE-PJT,PBT,2-TAB,2- SCREW,Max2.5MM^2,36.4*24.2MM^2,BLK,3	1	SNA
17-5	DB65-00296C	TERMINAL BLOCK	RC140DHXEA,PC,4-SCREW_4-	1	SNA
18	DB96-17910A	ASSY-4WAY VALVE	S50-2,SSEC	1	SA
18-1	DB62-02342A	VALVE SERVICE	G3-P/J,-,5/8",-,-,-	1	SA
18-2	DB33-00002G	SOLENOID-VALVE ASSY	-,UH105/140GAV,220~240V,50/60Hz,450,-,-	1	SNA
19	DB96-09949A	ASSY-EEV VALVE	HP,INV,-,E,-,-,-,-,WW,SSEC	1	SA
19-1	DB62-02283A	VALVE SERVICE	G2-P/J,-,1/4",-,-,-	1	SNA
19-2	DB62-04067A	VALVE-EXPANSION COIL	QA(Q)12-SXK-04-	1	SA
19-3	DB62-04267A	VALVE-EXPANSION BODY	DPF(Q)1.8C-17-RK(E),-	1	SA
20	DB63-03262A	FELT-COMP UPPER OUT	Maldives 1,FELT+PVC,GRAY,SSEC	1	SNA
21	DB72-00630F	INSULATION-SOUND	FELT,W330,L710,GRAY,RAC,SSEC	1	SNA
22	DB63-03263A	FELT-COMP OUTSIDE	Maldives 1,FELT+PVC,GRAY,SSEC	1	SNA
23	6021-001142	NUT-HEXAGON FLANGE	-,M5,ZPC(YEL),SWCH10A,SERRATION	1	SNA
24	DB63-02280A	COVER TERMINAL	55F TBR,CEXP-0023C,BLACK	1	SNA
25	DB63-02281B	GASKET	55F TBR,SIR,T0.8,60-70	1	SNA
26	DB60-30028A	NUT-FLANGE	HWH,M8,ZPC(WHT),SWRCH18A,P1.25/Wa sher Type(WP)	3	SNA
27	DB63-00801B	GROMMET ISOLATOR	NR,L32.5,ID11.5,OD40,BLACK,SSEC	3	SNA
28	DB70-00163A	PLATE-COND	MH18VA1,SGCC-M,1.0T,SILVER,MULTI-	2	SNA
29	DB96-09416A	ASSY COND UNIT-BENDING	UH105EAV,SSEC	1	SA
30	DB93-13198D	ASSY CONNECTOR WIRE-COMP	MAN U,INV	1	SA
31	DB95-05071A	ASSY THERMISTOR OUT	36K KCV,SSEC	1	SA
32	DB60-30020A	NUT-HEXAGON FLANGE	M6,Zn-Ni,MSWR3,CLOCKWISE	2	SA