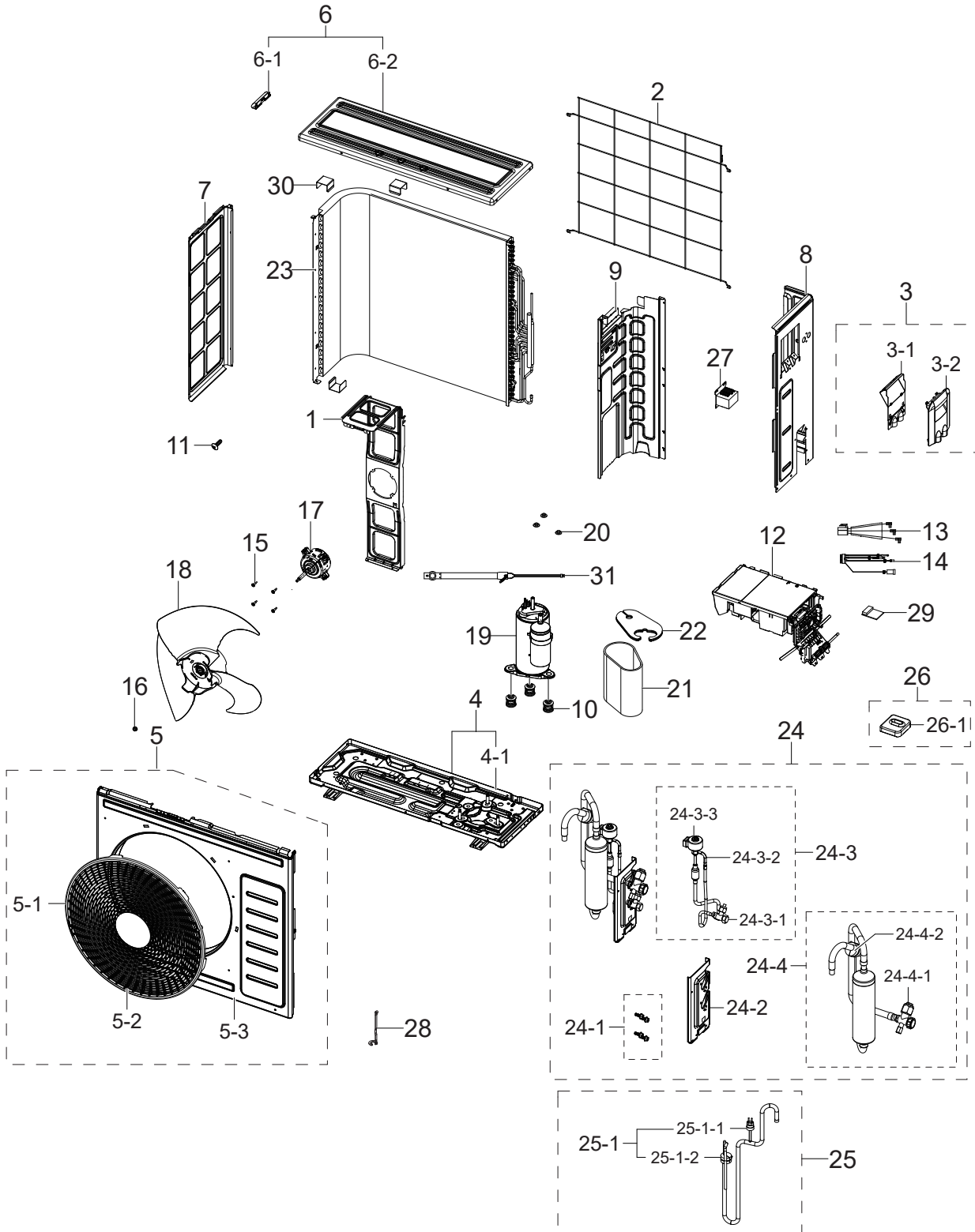


# Exploded Views and Parts List

■ AC024DXSCCF/AA



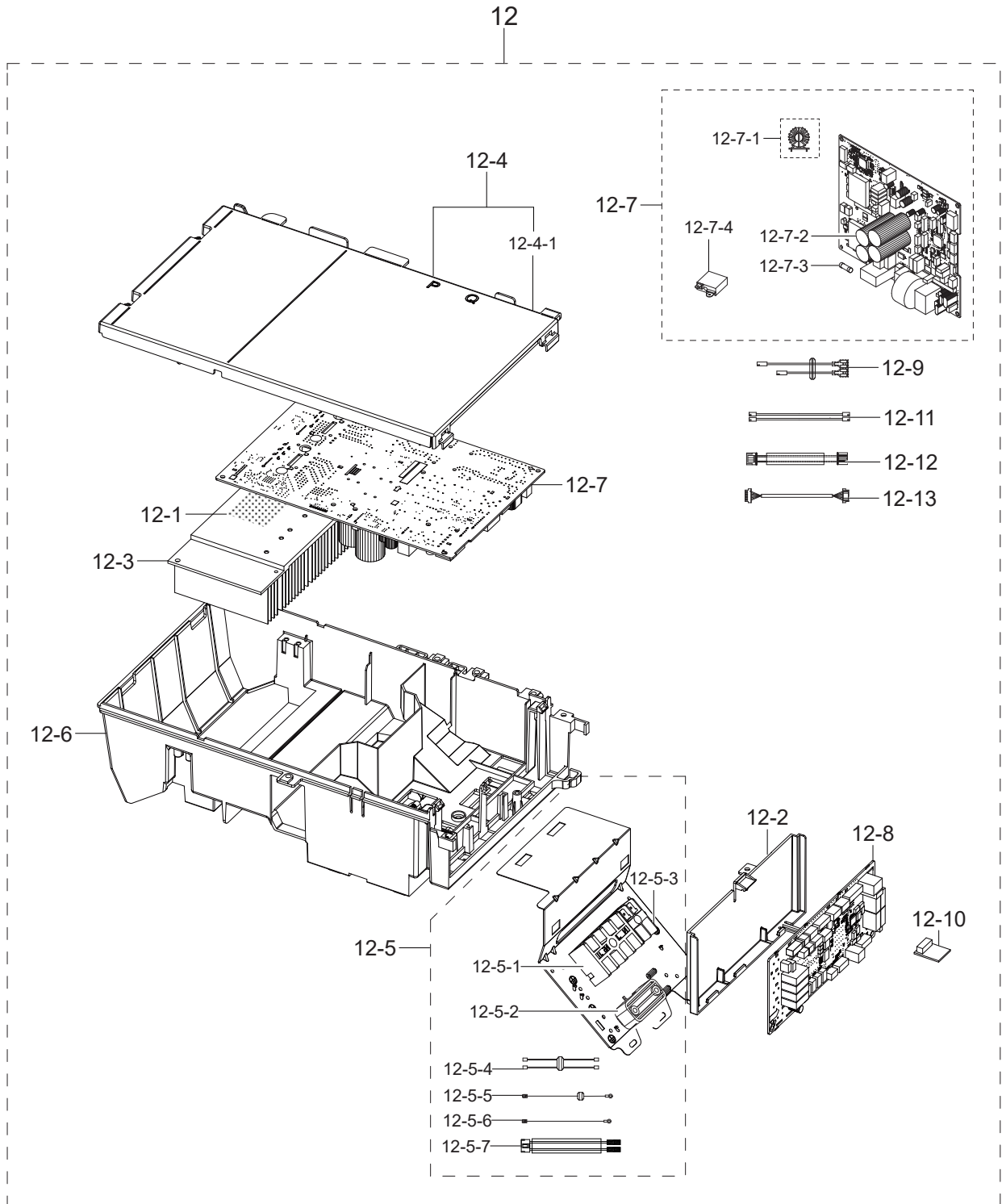
## Parts List

No.	Material Code	Description	Specification	QTY	SA/SNA
1	DB61-07067A	BRACKET MOTOR	Pchassis,GI-SGCC,T1.2,W207,L758.5	1	SA
2	DB63-03043B	GUARD COND-BACK	AP30M1AXXSG,MSWR,EARTH BROWN	1	SA
3	DB90-02958H	ASSY COVER CONTROL	TIME2	1	SA
3-1	DB61-07204A	PLATE CONTROL	AF16N7972DAX,GI-SGCC,T0.3	1	SNA
3-2	DB63-10490K	COVER-CONTROL	MEMORY,ASA,T2,EARTH BROWN,WR-0790	1	SNA
4	DB90-11090G	ASSY BASE OUT	New P Chassis,P39/44F,HP	1	SA
4-1	DB61-07011K	BASE-OUT	New P Chassis,SGMCC,T1,P39/44F,HP	1	SA
5	DB90-11092C	ASSY CABI FRONT	New P Chassis	1	SA
5-1	6002-000481	SCREW-TAPPING	TH,+ ,NO,2S,M4.0,L12,NI PLT,SWRCH18A,ZnNi + TOP Coating	1	SA
5-2	DB63-04021A	GUARD FAN	Pchassis,PPT2.5,EARTH BROWN	1	SA
5-3	DB64-03361A	CABINET FRONT	Pchassis,GI-SGCC,T0.8,EARTH BROWN,DAC- GY1001T, SPPWC	1	SNA
6	DB90-11094A	ASSY CABI TOP	AF9500N	1	SA
6-1	DB64-00967B	HANDLE-OUTDOOR	FAC,PPT3,W24.8,L110,MT62AW,EARTH BROWN	1	SA
6-2	DB64-03363A	CABINET TOP	Q chassis,GI-SGCC,T0.8,EARTH BROWN,DAC- GY1001T, SPPWC	1	SNA
7	DB90-11257B	ASSY CABI SIDE-LF	AC018BXADCH/AA,P520	1	SA
8	DB90-12254A	ASSY CABI SIDE-RH	AC018BXADCH/AA,P520	1	SA
9	DB94-07354A	ASSY PARTITION	AF9500N	1	SA
10	DB92-04292A	ASSY DAMPER-GROMMET	AC036MXSCCC/AA	3	SA
11	6002-000481	SCREW-TAPPING	TH,+ ,NO,2S,M4.0,L12,NI PLT,SWRCH18A,ZnNi + TOP Coating	31	SA
12	DB92-05715A	ASSY PBA KIT-OUT MODULE	OUTDOOR,AC5000B_P174,CAC_17S PF3_PL Free,Standard	1	SA
13	DB93-11274B	ASSY CONNECTOR WIRE- COMP OUT	3,3343,14,RED,ST730269-3,ST730190-2,-, 540, PVC TUBE/105°C/9,450,-,-,PBA_COMP OUT, 11 VENICE-PJT,11 VENICE-PJT,COMP,AWG1	1	SA
14	DB95-05268A	ASSY THERMISTOR OUT	SMH200-H08H3,L450,10kohm,3%,25C,Molding	1	SA
15	DB60-00150A	SCREW-SPECIAL	HWH,M4,L26,ZPC(WHT),SWRCH18A	4	SA
16	DB60-00405A	FASTENER-WASHER	RC100ZHXA,SWRCH10A,M8	1	SA
17	DB31-00683A	MOTOR BLDC FAN	DB31-00579,830,310V,125W	1	SA
18	DB94-04381A	ASSY FAN PROPELLER	DVM S ECO,520	1	SA
19	UB9TA9180FEQSG	RCP,COMPRCP,F,R32	RCP,COMPRCP,F,R32	1	SA
20	DB60-30028A	NUT-FLANGE	HWH,M8,ZPC(WHT),SWRCH18A,P1.25/Washer Type (WP)	3	SA
21	DB63-03197A	FELT-COMP SIDE	-,CLOTH/EVAR/FELT,T9,W575,L300,-,-	1	SA
22	DB63-03196A	FELT-COMP TOP IN	-,CLOTH/EVAR/FELT,T9,-,-,-,-	1	SA
23	DB96-24587A	ASSY COND-MODULE	PL892.8mm	1	SA
24	DB96-26997A	ASSY TUBE SERVICE-BRACKET	P, UB9TA9180FEQ, AA	1	SNA
24-1	6011-007313	BOLT-HEX	M6,L16,NI PLT,HH,SWRCH18A,Top Coating	4	SA
24-2	DB61-01593A	BRACKET-VALVE	HP-SR2371GB,GI-SGCC,T1.5,W,-,-,-	1	SA
24-3	DB96-24557B	ASSY TUBE EEV	P, LOW C/O, 1.65C	1	SA
24-3-1	DB62-09652C	VALVE SERVICE-SPINDLE	BRASS,4.6MPa,R410A,6.35mm	1	SA
24-3-2	DB62-11419C	VALVE EXPAN	STS304,T-type, 4.6MPa,1.65mm,500	1	SA
24-3-3	DB62-11421C	VALVE COIL EXPAN	DC12V,COIL,1000mm,MOLDING,T-type	1	SA
24-4	DB96-26967A	ASSY TUBE SUCTION	P, UB9TA9180FEQ, AA	1	SA
24-4-1	DB62-09658D	VALVE SERVICE-SPINDLE	BRASS,4.6MPa,R410A,15.88mm	1	SA
24-4-2	DB67-70011B	WEIGHT-RUBBER	-,NR,-,-,-,ID7,OD36,H/N 60	1	SNA
25	DB96-26965A	ASSY TUBE DISCHARGE	P, UB9TA9180FEQ	1	SA
25-1	DB96-24941E	ASSY SWITCH PRESSURE	HP/CO,DB34-00089A, 4.2MPa	1	SA
25-1-1	DB34-00089A	SWITCH PRESSURE	DC5mA,DC5V,4.2MPa,L1200,Au	1	SA
25-1-2	DB67-70011B	WEIGHT-RUBBER	-,NR,-,-,-,ID7,OD36,H/N 60	1	SNA
26	DB97-02096B	ASSY ACCESSORY	CO,SH07(09)APG,G1-PJT	1	SNA
26-1	DB73-00179A	RUBBER-LEG	G-PJT,NR,50	4	SA
27	DB27-00100A	COIL HARMONIC	5mH,86.0x94.5xTmm,20A,-	1	SA

## ■ Parts List

No.	Material Code	Description	Specification	Q'TY	SA/SNA
28	DB81-00635A	SPRING ETC-SENSOR	DVM-SYSTEM, STS304, ID2.5, OD4.5, L44, T0.3, W2, NONE	2	SA
29	DB82-08614A	SVC ASSY EEPROM-OUT	-, -, AC024DXSCCF, AA, P, UB9TA9180FJQ, PF3_17S, -	1	SA
30	DB61-00533A	HOLDER-CLAMP COND	RVXMHF050GA, GI-SGCC, T0.8, W38, L25, -, -, -	3	SA
31	DB47-00073F	HEATER COMP	AC230V, 20W, -, 360, L700, -, YH396-03VR(RED), SILICONE	1	SA

■ ASSY PBA KIT-OUT MODULE



## Parts List

No.	Material Code	Description	Specification	QTY	SA/SNA
12	DB92-05715A	ASSY PBA KIT-OUT	OUTDOOR,AC5000B_P174,CAC_17S PF3_PL Free,Standard	1	SA
12-1	0205-000178	GREASE-SILICON	YG6111,WHITE, for assemble Heat Sink,1Kg	0.005	SA
12-2	DB61-07235A	CASE PCB	NEW #3 CONTROLLER,ABS,T2,L185.3,BLACK, VE-0858	1	SA
12-3	DB62-12477A	HEAT SINK	INV PF3,AL,T5,W195,L95,SILVER,H45	1	SA
12-4	DB90-08242C	ASSY COVER CONTROL	18Y FAC	1	SA
12-4-1	DB63-02817A	COVER-CONTROLLER	AFN-SD232T*,ABS,T2.3,W343.3,L2071,BLACK, VE- 0858, VE-0858	1	SA
12-5	DB90-11224A	ASSY PLATE-CONTROL	NEW #3 CONTROLLER	1	SA
12-5-1	DB37-00033D	TERMINAL BLOCK	DAF-4P-M,MELAMINE,300V,25A,58.7X36.4X22 mm,D4,NO, 4P, TAB-SCREW,1(L), 2(N), L, N	1	SA
12-5-2	DB61-00250A	HOLDER-WIRE CLAMP	AF25M9970DBX,PA66,BLACK,V-0,FR50	1	SA
12-5-3	DB65-00274A	TERMINAL BLOCK	TERMINAL BLOCK,Polycarbonate, Phenol,AC300V, 20A, 22x36.4x24.2mm,0mm,D,-,2P,-,B_Type	1	SA
12-5-4	DB93-05434G	ASSY CONNECTOR WIRE- SN	2,1015,18,BRN,ST730620-3,ST730620-3,-,150,-,R, RING23.5,3, TB-TB,CAC,N,-,PAC, #4,5,JUMP, CORE	1	SA
12-5-5	DB93-10906A	ASSY CONNECTOR WIRE- EARTH	1,1015,18,YEL/GRN,ST730711-3,ST710095-3,-,150,-,TR19-13-11/G8A, 2,PBA- PLATE,CAC	1	SA
12-5-6	DB93-10906B	ASSY CONNECTOR WIRE- EARTH	1,1015,18,YEL/GRN,ST730711-3,ST710095-3,-,280,-,PBA-EARTH,FAC OUTDOOR	1	SA
12-5-7	DB93-16402A	ASSY CONNECTOR WIRE- COMM	2,1007,22,RED,YH396-02VR/RED,175020-1,-,250, PVC/BLK,200,-,PBA-T/B,RAC,-	1	SA
12-5-8	DB93-16973A	ASSY CONNECTOR WIRE- POWER	2,1015,14,BRN,175022-1,MG630591R/WHT,-,300,-,TR36-23-15/G8A,11,PBA-T/B,AC072RX4PBH3	1	SA
12-6	DB90-11249A	ASSY CASE CONTROL	NEW 3# CONTROLLER	1	SA
12-7	DB92-05668B	ASSY PCB INVERTER	HW,INVERTER,CAC/FJM,160x242,220V-240V,5V/12V/15V, 17S_PF3_PL Free,Y,SMPS,Standard	1	SA
12-7-1	DB27-00078A	COIL CHOKE	12mH,20A,28.5x21,Mn-Zn,4,DIP	1	SA
12-7-2	2401-006185	C-AL	390uF,20%,400V,WT,BK,25.4x60mm,10mm	4	SA
12-7-3	3601-001652	FUSE-AXIAL LEAD	250V,30A,TIME-LAG,CERAMIC,6.35x31.8mm	1	SA
12-7-4	3501-001754	RELAY-POWER	12V,0.9W,25000mA,1FormA,20ms,10ms,TR,-30to+85C,250Vac, 1600hm,25A,1A,100MOH,SINGLE POLE,6370VA,PCB Mount,EX	1	SA
12-8	DB92-05165A	ASSY PCB MAIN-OUT	SML_MAIN_ABOVE,CAC_AC5000B,180x80mm,-,N,Standard	1	SA
12-9	DB93-10905B	ASSY CONNECTOR WIRE- COMP	3,1015,14,RED,MG624757/WHT,MG630591R/ WHT,MG635387/WHT, 385,-,TR36-23-15_G8A_Gray,TR36-23-15_G8A_Gray,PBA-COMP, AF- H900K,	1	SA
12-10	DB82-08614A	SVC ASSY EEPROM-OUT	-,-,AC024DXSCCF, AA,P, UB9TA9180FJQ, PF3_17S,-	1	SA
12-11	DB93-17175A	ASSY CONNECTOR WIRE-REACTOR	2,1015,16,WHT,MG630591R/WHT,MG633976K/WHT,-,370,-,PBA-REACTOR,QMD RAC AR9500T,-	1	SA
12-12	DB93-16974A	ASSY CONNECTOR WIRE- POWER	2,1015,18,BRN,YH396-03VR/BLK,YH396-03VR/ WHT,-,200, PVC/VW-1/8PI/BLK,150,-,PBA- PBA,AC072RX4PBH3	1	SA
12-13	DB93-17033A	ASSY CONNECTOR WIRE- DC SIGNAL	8,2095,26,BRN,SMH250-08L/WHT,SMH250-08L/ WHT,-,200, -,-,PBA-PBA,CAC R32	1	SA