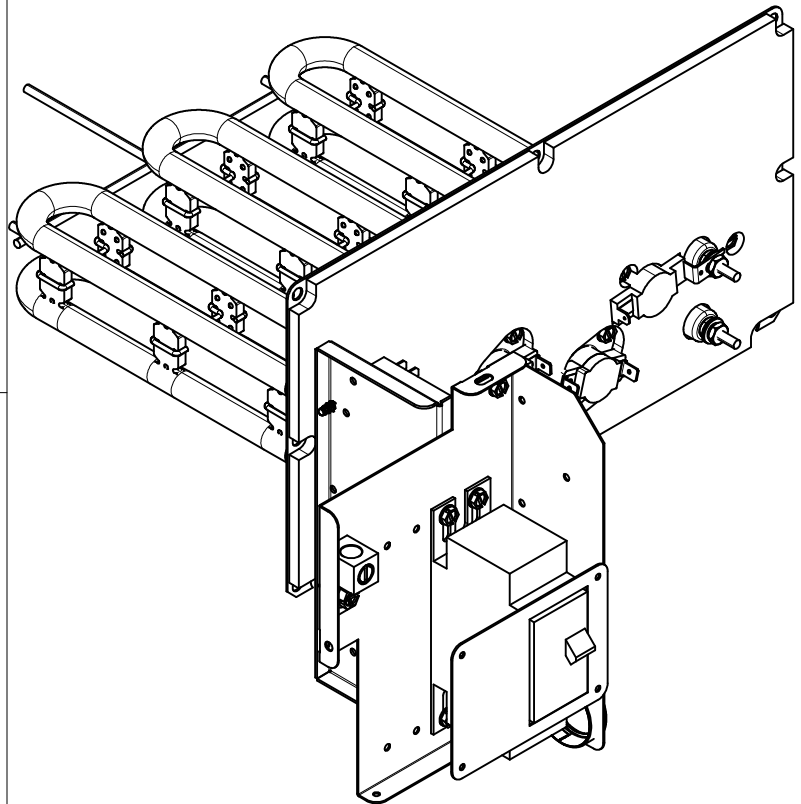
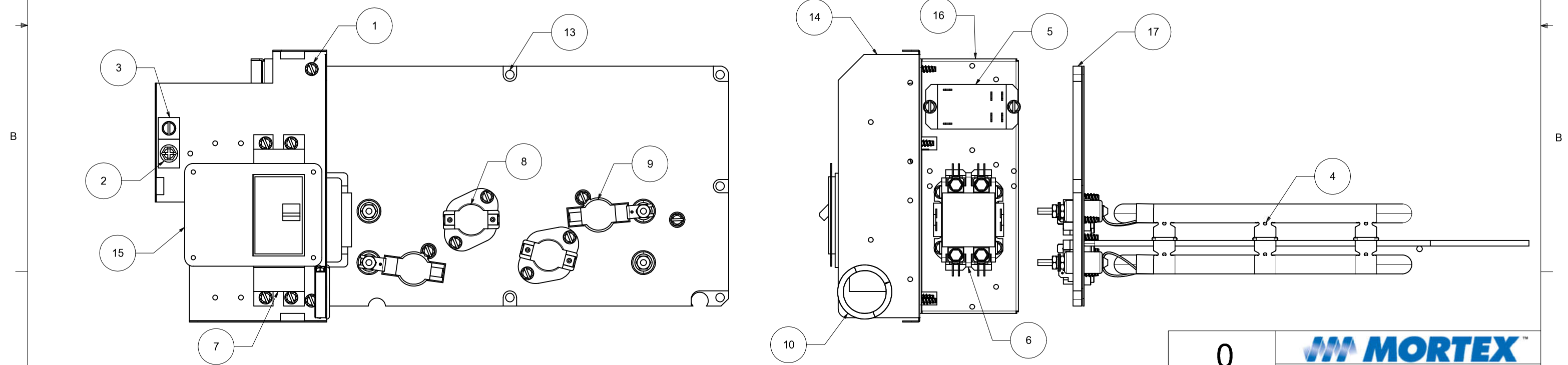


REVISIONS

REV. --								DATE	APPROVED
---------	--	--	--	--	--	--	--	------	----------



Item #	Quantity	Part Number	Config	Material	Thickness	Description
1	20	66BA0002	Config<1>	Steel - cold-drawn		CONTROL PANEL SCREW
2	1	66BA0038	Config<1>	SEE BOM		10 X 3/8 PHIL HWH TYPE 23 GREEN ZINC
3	1	66GF0022	Config<1>	ALUMINUM		GROUND LUG
4	1	67AB0038	Config<1>	VARIOUS		10KW 240V HEATER ASSEMBLY
5	1	68AB0018	Config<1>	VARIOUS		RELAY 240V COIL ZETTLER AZ2800-2A-240A COIL 240VAC
6	1	68AB0019	Config<1>	VARIOUS		ELECT HT CONTACTOR DP2-POLE CONTACTOR40AMP
7	1	68BAD018	Config<1>	VARIOUS		260 SQD 60 AMP CIRCUIT BREAKER
8	2	68CA0009	Config<1>	VARIOUS		165/135 LIMIT SWITCH
9	2	68CA0011	Config<1>	VARIOUS		190° ONE SHOT LIMIT SWITCH
10	1	71AA0025	Config<1>	Steel - cold-drawn		Heyco Bushing2883
11	4	71BD0001	Config<1>	PLASTIC		WIRE TIE WHITE
12	1	73BB0049	Config<1>	VARIOUS		SAMSUNG ELECTRICAL HEATER WIRE HARNES
13	1	87BBX110-QS-3	Config <1>	GALVANIZED	.036 (20 GAUGE)	10KWHEATING ELEMENT ADAPTER PLATE
14	1	87FSA011-CAC	A	GALVANIZED	.036 (20 GAUGE)	HIGH VOLTAGE BOX
15	1	87IFA113-SB	SINGLE BR	GREY PREPAINTED STEEL	.030 (22 GAUGE)	SINGLE BREAKER CIRCUIT BREAKER COVER
16	1	87QS0003	Config<1>	GALVANIZED	.047 (18 GAUGE)	HEAT KIT BRACKET
17	1	INSULATION	Config<1>	INSULATION		10KW INSULATION



PROPRIETARY AND CONFIDENTIAL
 THE INFORMATION CONTAINED IN
 THIS DRAWING IS THE SOLE
 PROPERTY OF MORTEX. ANY
 REPRODUCTION IN PART OR AS A
 WHOLE WITHOUT THE WRITTEN
 PERMISSION OF MORTEX
 IS PROHIBITED.

CONFIGURATION:	Config<1>	
TO BE USED ON THE FOLLOWING PRODUCTS:	ACCESSORIES	UNLESS OTHERWISE SPECIFIED:
		ALL BENDS 90 DEGREES. ANGLES +/- 2 DEGREES. ALL HOLE SIZES +/- .010 ALL HOLE TO HOLE DIM. +/- .015 X.X +/- .125 X.XX +/- .063 X.XXX +/- .032
MATERIAL	SEE BOM	THICKNESS

0	NAME	J.C.R.	DATE	2/27/2025
	LAST SAVED			
COMMENTS:				
TITLE:		MEDIUM AH 10KW HEAT KIT BMXHK-10C-SG		
CUSTOMER PART #		VHK-210C		
SIZE	DWG. NO.	VHK-210C		
B				
SAMSUNG		SHEET 1 OF 1		