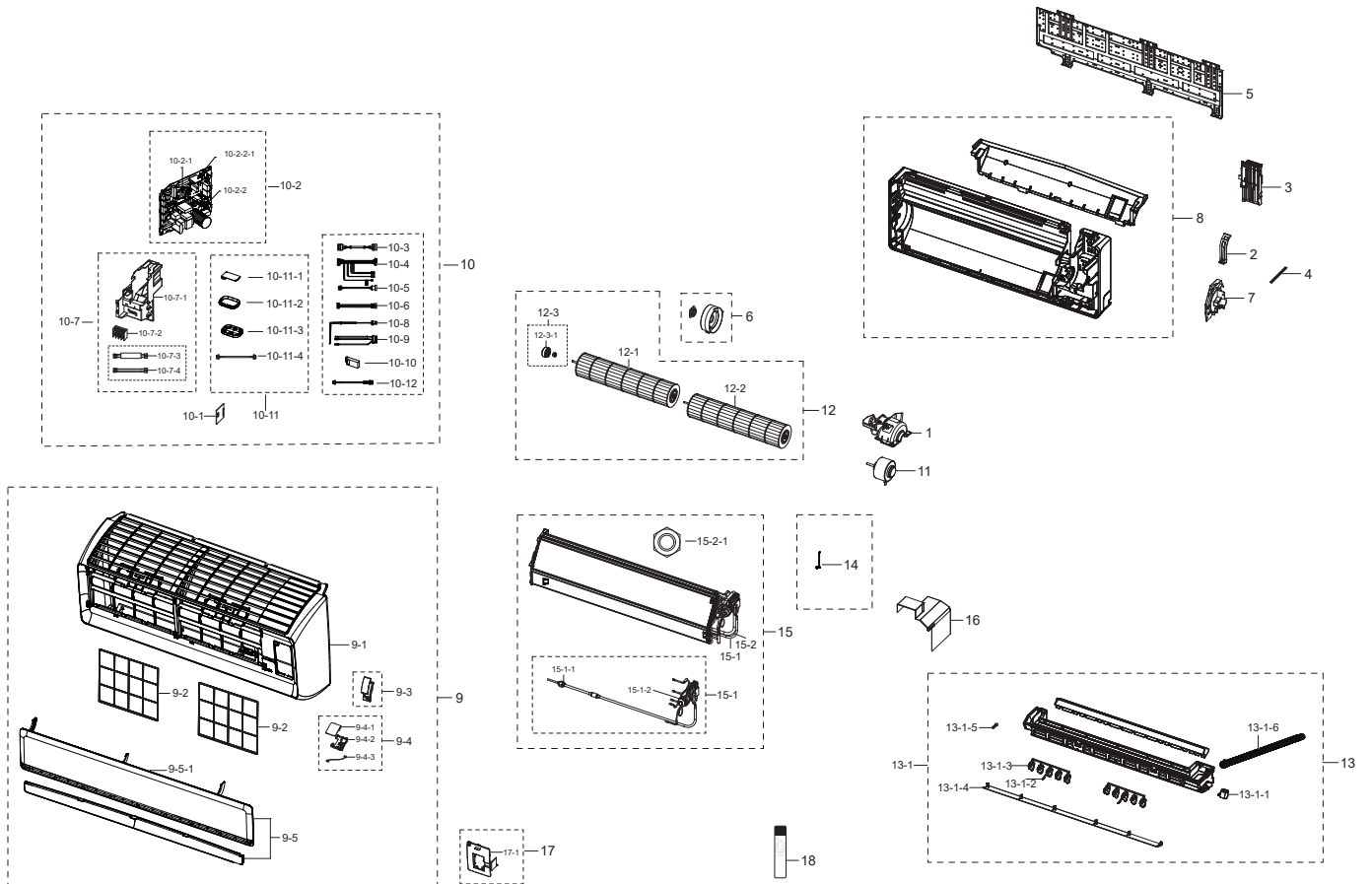


Indoor Unit (MAX4)

■ AC030DNTDCG/AA,AC036DNTDCG/AA



■ AC030DNTDCG/AA,AC036DNTDCG/AA

| No. | Code No. | Description | Specification | QTY | SA/SNA |
|------------|-------------|-------------------------------|--|-----|--------|
| 1 | DB61-03200A | HOLDER-MOTOR | WW3,pp,1.5,145,180.1,-,WHITE,-,-,-,M1600,-,-,-,-,SSEC | 1.0 | SA |
| 2 | DB61-03205A | BRACKET-EVAP | WW3,SGCC-M,0.8,44.9,100.3,SSEC | 1.0 | SA |
| 3 | DB61-03218B | HOLDER-PIPE | WW3,HIPS,1.5,25,216,DA WHITE,PH-88,SSEC | 1.0 | SNA |
| 4 | DB61-03250A | HOLDER-BODY BACK | WW3,GI-SGCC,T1,W14,L151,-,-,-,-,SSEC | 1.0 | SA |
| 5 | DB70-00787A | PLATE-HANGER | WW3,SGCC-M,0.8,303.25,1010.5,SSEC | 1.0 | SA |
| 6 | DB90-03401A | ASSY HOLDER-FAN | WW3,SSEC | 1.0 | SA |
| 7 | DB90-03402A | ASSY-SUPPORT EVAP | WW3,SSEC | 1.0 | SA |
| 8 | DB94-01498G | ASSY BACK BODY | DA WHITE,R410A,MAX 4,SSEC | 1.0 | SA |
| 9 | DB92-05080B | ASSY PANEL FRONT | WHITE,MAX4 | 1.0 | SA |
| 9-1 | DB64-02517A | PANEL FRONT | MAX 4,HIPS,-,HI450PG,NATURAL,-,SSEC | 1.0 | SA |
| 9-2 | DB63-01765F | GUARD-AIR FILTER | MAX4,PP,LIGHT GRAY GY0262,40x40/inch,SSEC | 2.0 | SA |
| 9-3 | DB90-05771C | ASSY COVER DISPLAY | MAX 4 | 1.0 | SA |
| 9-4 | DB90-05969A | ASSY CASE-PCB | MAX | 1.0 | SNA |
| 9-4-1 | DB93-11009A | ASSY PCB SUB-DISPLAY | HW,DISPLAY,VIVALDI-P/J,64*74,N | 1.0 | SA |
| 9-4-2 | DB61-03648A | CASE PCB | VAVAI,DI,HIPS,T2,-,-,EBONY BLACK,-,-,-,-,-,S83451,-,-,-,SSEC | 1.0 | SA |
| 9-4-3 | DB93-10943F | ASSY CONNECTOR WIRE | 7,1007,26,WHT,SMH200-07H/WHT,SMH250-09L/WHT,-,200,-,-,-,-,PBA-PBA,MAX,N,-,BORACAY-PJT,DISPLAY TO MAIN | 1.0 | SA |
| 9-5 | DB92-02101G | ASSY GRILLE | MAX4,SSEC | 1.0 | SA |
| 10 | DB92-05779B | ASSY PBA KIT-IN | INDOOR,24S_CAC_AC5000B,CAC_R32_MAX4_Wi-Fi_PL Free,Standard | 1.0 | SNA |
| 10-1 | DB92-02809A | ASSY PCB SUB | HW,COMM,DVM NASA_RAC,58*40,N | 1.0 | SA |
| 10-2 | DB92-05773B | ASSY PCB MAIN-IN | MAIN,24S_CAC_AC5000B,142x120mm,220V-240V,5V/12V/15V,27W,CAC_R32_MAX4_Wi-Fi_PL Free,Y,SMPS,Standard | 1.0 | SA |
| 10-2-1 | DB91-02714A | ASSY MICOM | 24K_CAC_MAX4_Indoor,STM-2375-OS,A34M418YLN-01,120LQFP,ROM 512KB | 1.0 | SNA |
| 10-2-2 | DB92-05800B | ASSY PCB MAIN H/W | HW,24S_CAC_AC5000B,142x120mm,220V-240V,5V/12V/15V,27W,CAC_R32_MAX4_Wi-Fi_PL Free,Y,SMPS,Standard | 1.0 | SNA |
| 10-2-2-1 | DB92-04020A | ASSY PCB SUB | HW,SUB,20*25,Indoor EEPROM,N,Standard | 1.0 | SA |
| 10-2-2-2 | DB94-10572A | ASSY PCB AUTO | 24S_CAC_AC5000B,142x120mm,220V-240V,5V/12V/15V,27W,CAC_R32_MAX4_Wi-Fi_PL Free,DB92-05800B | 1.0 | SNA |
| 10-2-2-2-1 | DB94-10573A | ASSY PCB SMD | 24S_CAC_AC5000B,142x120mm,220V-240V,5V/12V/15V,27W,CAC_R32_MAX4_Wi-Fi_PL Free,DB92-05800B | 1.0 | SNA |
| 10-3 | DB93-10798A | ASSY CONNECTOR WIRE-MOTOR | 5,1015,22,RED,YH396-06VR/WHT,YH396-H06PL/WHT,-,200,PVC/7pi/BLK,160,-,-,PBA-MOTOR,EHS_SPLIT_Pf3,- | 1.0 | SA |
| 10-4 | DB93-14039A | ASSY CONNECTOR WIRE-DC SIGNAL | 20,1007,26,RED,YDH200-20P/BLK,SMH200-H14H3/WHT,25045HP-04B/RED,180,-,-,-,-,PBA-PBA,NASA RAC,DVM NASA_2WIRE SUB,2WIRE_SUB | 1.0 | SA |
| 10-5 | DB93-14723A | ASSY CONNECTOR WIRE-DC SIGNAL | 5,2095,24,RED,SMH250-05L/WHT,25045HP-05A/WHT,-,170,-,-,-,-,PBA-STEP MOTOR,A3050,N,- | 1.0 | SA |
| 10-6 | DB93-16338A | ASSY CONNECTOR WIRE-DC SIGNAL | 9,1007,26,ORG,SMH200-11H/WHT,25045HP-09B/WHT,-,200,-,-,-,-,DISPLAY-PBA,MAX4 | 1.0 | SA |
| 10-7 | DB93-18051A | ASSY CONTROL IN | WIFI R32,AM093DNQDKG/EU,MAX4 | 1.0 | SNA |
| 10-7-1 | DB61-06824A | CASE CONTROL-IN | ABS,T2.5,BLACK,ABSPC100V,5V | 1.0 | SNA |
| 10-7-2 | DB37-00033A | TERMINAL BLOCK | DAF-4P-M,MELAMINE,300V,30A,58.7X36.4X22mm,D4,NO,4P,TAB-SCREW,1(L), 2(N), F1, F2,- | 1.0 | SA |
| 10-7-3 | DB93-14203A | ASSY CONNECTOR WIRE-POWER | 2,1015,22,BRN,YH396-03V/BLU,SPS-21T-250S,-,250,HEAT SHRINK,210,-,-,PBA-T/B,A3050,N,- | 1.0 | SA |
| 10-7-4 | DB93-14238A | ASSY CONNECTOR WIRE-COMM | 2,1007,22,BLU,YH396-02V/RED,SPS-21T-250S,-,250,-,-,TR19,10,PBA-T/B,A3050 | 1.0 | SA |
| 10-8 | DB95-05009E | ASSY THERMISTOR | SMH250-02L/WHT,L700,10kohm,3%,25C,Molding | 1.0 | SA |
| 10-9 | DB95-05011B | ASSY THERMISTOR IN | SMH200-06H,L350,10kohm,3%,25C,6phi | 1.0 | SA |
| 10-10 | DB32-00241C | SENSOR HUMIDITY | 5V,90%RH,AC,5%,600mm,4P | 1.0 | SA |

| No. | Code No. | Description | Specification | Q'TY | SA/SNA |
|---------|-------------|-------------------------------|--|------|--------|
| 10-11 | DB90-11882W | ASSY CASE PCB | AM071ANMPKH/EU | 1.0 | SA |
| 10-11-1 | 4709-003260 | W-LAN MODULE | CCAR210R,SDA8700CSM,IEEE802.11,2.4GHz,5V,1X1,54.0x30.0x6.4mm,-20to+85C | 1.0 | SA |
| 10-11-2 | DB61-07592A | CASE-BOTTOM | Wi-Fi,ABS,T1.5,L66,DA WHITE,HG-0760GP | 1.0 | SA |
| 10-11-3 | DB61-07593A | CASE-TOP | Wi-Fi,ABS,T1.5,L66,DA WHITE,HG-0760GP | 1.0 | SA |
| 10-11-4 | DB93-17392D | ASSY CONNECTOR WIRE-DC SIGNAL | 5,2095,26,RED,SMH200-H05H3/WHT,SMH200-H05H3/YEL,-,350,-,-,-,-,PBA-WIFI,-,- | 1.0 | SA |
| 11 | DB31-00332C | MOTOR FAN | SIC-55CVL-F158-1,VIVALDI 3,0.224A,1350,DC311V,E 0 class,YH396-06VRT/YT396B-RT,25 | 1.0 | SA |
| 12 | DB94-02043A | ASSY-CROSS FAN UNIT | AQV30JANXSA,SSEC | 1.0 | SNA |
| 12-1 | DB94-00118A | ASSY FAN CROSS | B PJT | 1.0 | SA |
| 12-2 | DB94-00119A | ASSY FAN CROSS | B-P/J,CHINA | 1.0 | SA |
| 12-3 | DB94-00455B | ASSY-RUBBER BEARING | AR18MC5UDMCNNA,ASSY | 1.0 | SA |
| 12-3-1 | DB94-40007B | ASSY BEARING | G1-PJT,SSEC | 1.0 | SA |
| 13 | DB94-08855A | ASSY DRAIN-MODULE | AC030BNTDCH/AA,ASSY | 1.0 | SNA |
| 13-1 | DB94-01495N | ASSY TRAY DRAIN | WHITE,RH,1M,Y,MAX 4 | 1.0 | SA |
| 13-1-1 | DB31-00369D | MOTOR STEP | 35BYJ46,DC 12V,1,500gf.cm,E CLASS,1W,7.5deg,1/85 | 1.0 | SA |
| 13-1-2 | DB61-03254A | BLADE-V A | WW3,PP+TD20%,-,-,79*49*5.5,-,-,-,NATURAL,-,-,SSEC | 2.0 | SA |
| 13-1-3 | DB61-03255A | BLADE-V B | WW3,PP+TD20%,-,-,79*49*5.5,-,-,-,NATURAL,-,-,SSEC | 10.0 | SA |
| 13-1-4 | DB61-04465A | BLADE-H | WW3-MAX,ABS,1068.5, T2.5,SHINY SILVER,DA WHITE,SSEC | 1.0 | SA |
| 13-1-5 | DB73-00180B | RUBBER-CAP DRAIN | all moel,NR,D22,40,40,RAC | 1.0 | SA |
| 13-1-6 | DB94-00458D | ASSY HOSE DRAIN | VIVALDI-PJT,SSEC | 1.0 | SA |
| 14 | DB81-00635A | SPRING ETC-SENSOR | DVM-SYSTEM,STS304,ID2.5,OD4.5,L44,T0.3,-,W2,NONE,-,-,- | 2.0 | SA |
| 15 | DB96-09872K | ASSY EVAP-MODULE | MAX 4 | 1.0 | SA |
| 15-1-1 | DB60-30010B | FASTENER-NUT FLARE | AR12RV3HEWKXNA,BRASS,-,-,-,- | 1.0 | SA |
| 15-2 | DB96-11295B | ASSY TUBE EVAP OUT | AQV30UWCNXSA,SSEC | 1.0 | SA |
| 15-2-1 | DB60-30010D | FASTENER-NUT FLARE | -,BRASS,-,-,-,-,-,-,-,- | 1.0 | SA |
| 16 | DB90-09982A | ASSY COVER CONTROL | CAC MAX4 | 1.0 | SNA |
| 17 | DB90-09928B | ASSY COVER-MAIN | MAX 4 | 1.0 | SA |
| 17-1 | DB63-04638A | COVER TERMINAL | MAX4,ABS,-,-,DA WHITE,-,HG-0760GP | 1.0 | SA |
| 18 | DB96-25924H | ASSY WIRELESS REMOCON | 24. SYS ENG,RS-9,ENGLISH,16.5*27.2, / ,SYS,HEAT PUMP,SAMSUNG | 1.0 | SA |