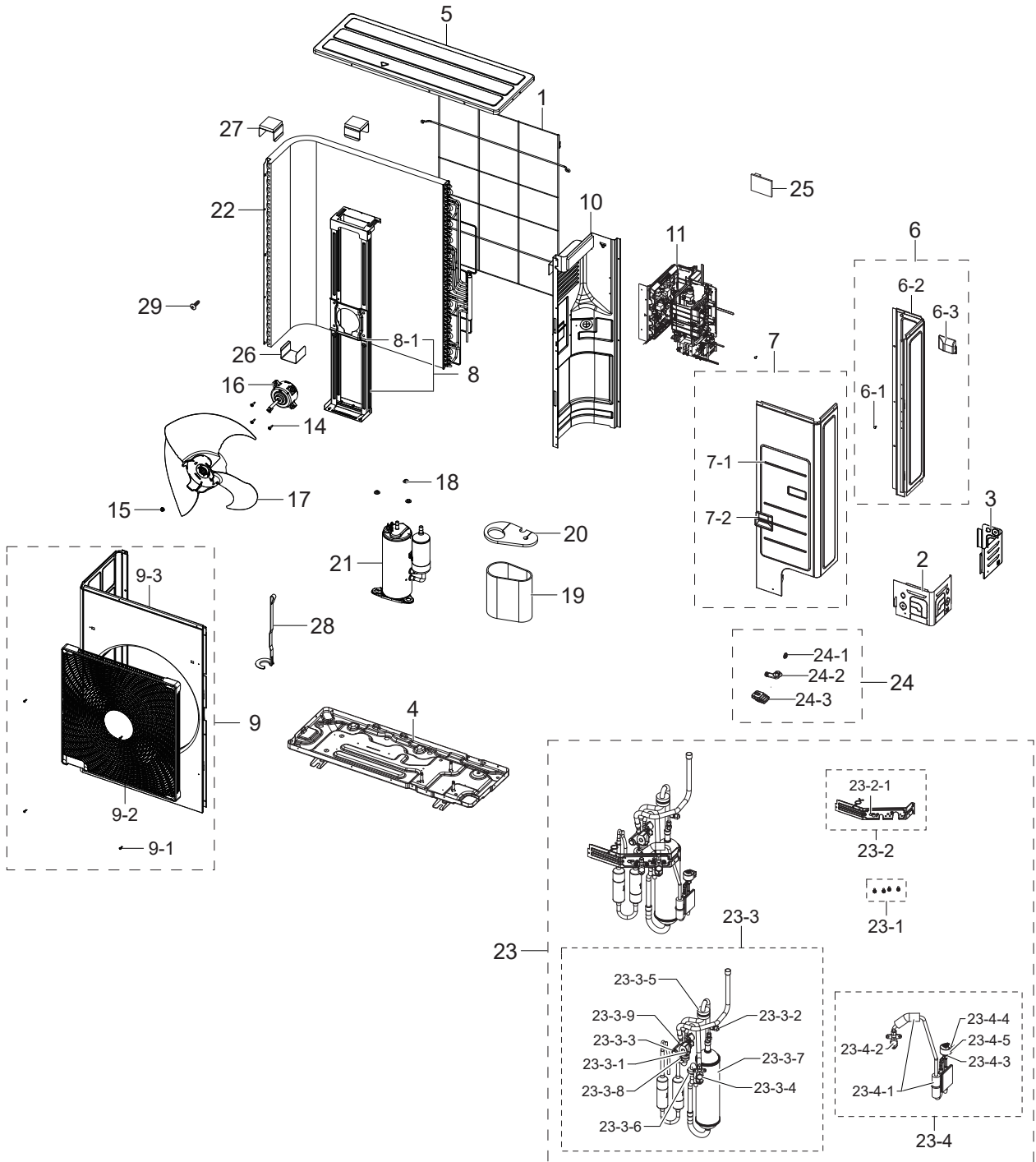


# Exploded Views and Parts List

■ AC030DXADCG/AA



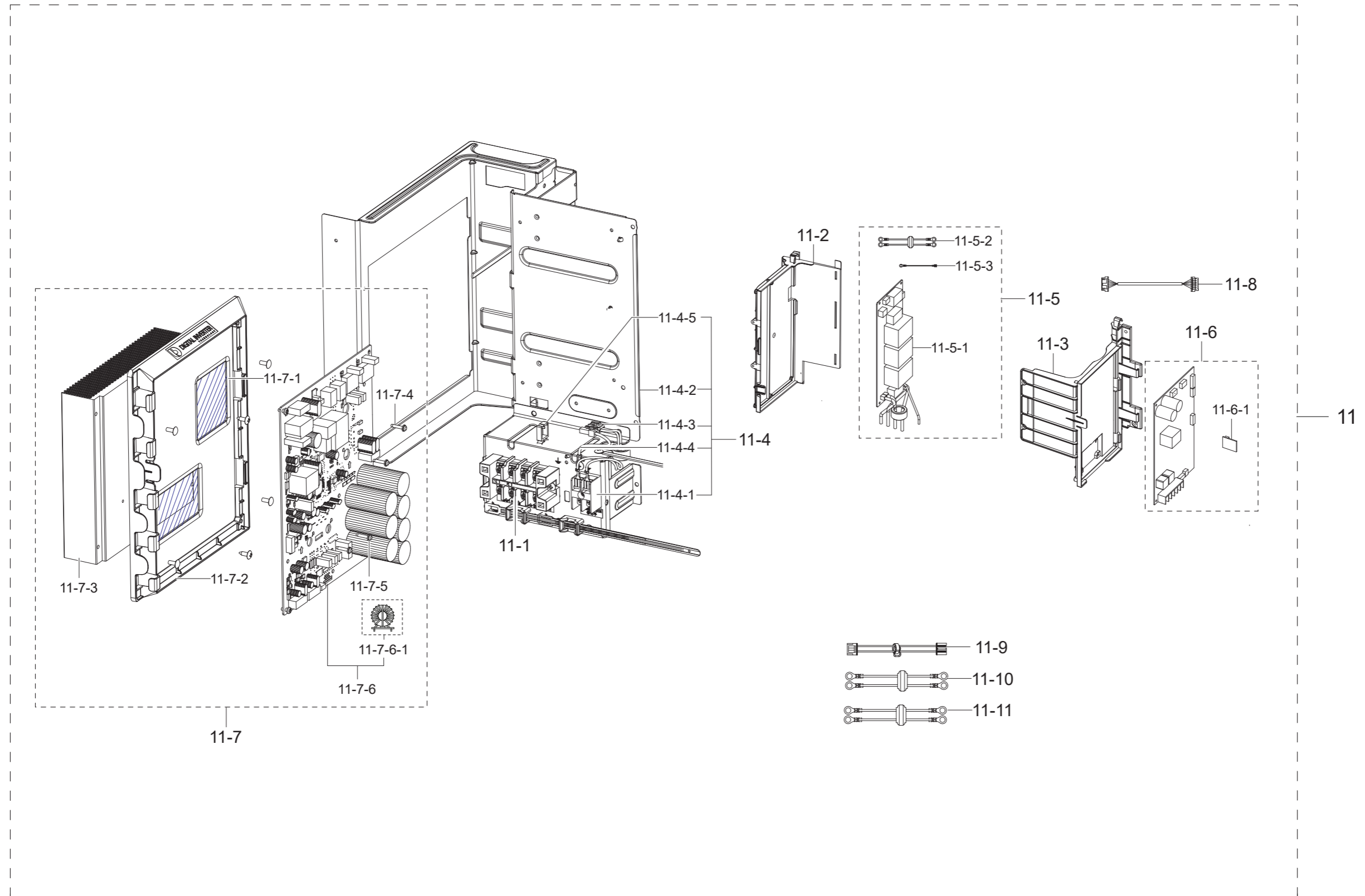
## Parts List

No.	Material Code	Description	Specification	QTY	SA/SNA
1	DB63-02730C	GUARD COND	RC100ZHXA,MSWR,T5,EARTH BROWN	1	SA
2	DB64-03526A	CABINET FRONT-LOW	AC024BXADCH/AA,GI-SGCC,T1	1	SA
3	DB64-03527A	CABINET BACK-LOW	AC024BXADCH/AA,GI-SGCC,T1,UB	1	SA
4	DB90-05873B	ASSY BASE OUT	MAN-U,SEAL-ADD	1	SA
5	DB90-05902E	ASSY CABINET-TOP	RC090MHXA,EHS MONO	1	SA
6	DB90-05903F	ASSY CABI BACK-RH	AC036KXADEC/TL,UB1	1	SA
6-1	6002-000481	SCREW-TAPPING	TH,+,NO,2S,M4.0,L12,NI PLT,SWRCH18A,ZnNi + TOP Coating	1	SA
6-2	DB64-02535B	CABINET BACK-RH	RC100ZHXA,EGI-SECC,T0.8,EARTH BROWN, DAC-GY1001S, SPPWC, UB1	1	SNA
6-3	DB64-02613B	HOLDER-UP	RC140PHXA,,PP+TD20%,T2.5,EARTH BROWN,HB, TB52U, HEAT-RESISTANT	1	SNA
7	DB90-05904H	ASSY CABI FRONT-RH	AC036KXADEC/TL,UB1	1	SA
7-1	DB64-02537B	CABINET FRONT-RH	RC100ZHXA,EGI-SECC,T0.8,EARTH BROWN, DAC-GY1001S, SPPWC, UB1	1	SNA
7-2	DB64-02613B	HOLDER-UP	RC140PHXA,,PP+TD20%,T2.5,EARTH BROWN,HB, TB52U, HEAT-RESISTANT	1	SNA
8	DB90-05918B	ASSY BRACKET MOTOR	RC100DHXA,R410A	1	SA
8-1	6002-000481	SCREW-TAPPING	TH,+,NO,2S,M4.0,L12,NI PLT, SWRCH18A,ZnNi + TOP Coating	9	SA
9	DB90-05971J	ASSY CABI FRONT-LF	AC024BXADCH/AA,UB1	1	SA
9-1	6002-000481	SCREW-TAPPING	TH,+,NO,2S,M4.0,L12,NI PLT,SWRCH18A,ZnNi + TOP Coating	4	SA
9-2	DB63-04306A	GUARD FAN	AC9100A,PP+TD20%,T3.5,NATURAL	1	SA
9-3	DB64-02536H	CABINET FRONT-LF	AC024BXADCH/AA,GI-SGCC,T0.8,UB1	1	SNA
10	DB94-02720H	ASSY PARTITION	AC110BXADHH1,UB1	1	SA
11	DB92-05560A	ASSY PBA KIT-OUT MODULE	INVERTER,AC5000B,23R_Pf4_CBOX,Standard	1	SNA
12	DB93-17893A	ASSY CONNECTOR WIRE- COMP	3,UL3343,12,RED,HLH1005-03/BLK,MG634833S/WHT,-,600, PVC, 105°C,OR48x30x15,8,PBA-COMP,AC5000B,-	1	SA
13	DB95-04871D	ASSY THERMISTOR OUT- SUB OUT	SMH250-08L/WHT,L890,10kohm,3%,25C Molding	1	SA
14	DB60-00150A	SCREW-SPECIAL	HWH,M4,L26,ZPC(WHT),SWRCH18A	4	SA
15	DB60-00405A	FASTENER-WASHER	RC100ZHXA,SWRCH10A,M8	1	SA
16	DB31-00658J	MOTOR BLDC FAN	800rpm,310V,1.0A,125W,8Pole,CW	1	SA
17	DB94-04381A	ASSY FAN PROPELLER	DVM S ECO,520	1	SA
18	DB60-30028A	NUT-FLANGE	HWH,M8,ZPC(WHT),SWRCH18A,P1.25/Washer Type(WP)	3	SA
19	DB63-02954A	FELT-COMP SIDE	AF9500N,EVAR/FELT,T11.5,W340,L620,-,-	1	SA
20	DB63-03164A	FELT-COMP TOP IN	-,EVAR/FELT,T11.5,W153,L243,-,-	1	SA
21	UB8TN8300FJUSG	RCP,COMP,RCP,F,R32	RCP,COMP,RCP,F,R32	1	SA
22	DB96-15741C	ASSY COND-MODULE	AM050MXMKKC/EA,Anti-corrosion	1	SA
23	DB96-26108D	ASSY TUBE SERVICE-BRACKET	UB1,H/P, UB8TN8300FJU, AA	1	SNA
23-1	6009-001074	BOLT-HEX	M6,L16,ZPC(WHT),HWH,+,SWRCH18A,SERATION	4	SNA
23-2	DB90-05874C	ASSY BRACKET-VALVE	RC100DHXA,T1.2, UB	1	SA
23-2-1	6002-000481	SCREW-TAPPING	SWRCH18A,NI PLT,L12,M4,TH,+,NO,2S,ZnNi + TOP Coating	1	SA
23-3	DB96-24676D	ASSY TUBE 4WAY	UB1,H/P,UB8TN8300FJUSG,R32,AA	1	SA
23-3-1	DB33-00002J	SOLENOID-COIL ASSY	220V,2,YEL	1	SA
23-3-2	DB60-30010A	FASTENER-NUT FLARE	-,BRASS,-,-,-,1/4"	1	SA
23-3-3	DB62-02838B	VALVE 4WAY	BRASS,3.5HP, 4.6MPa,COMMON	1	SA
23-3-4	DB62-09658D	VALVE SERVICE-SPINDLE	BRASS,4.6MPa,R410A,15.88mm	1	SA
23-3-5	DB67-00903B	WEIGHT-RUBBER	NR,T30,OD 47pi,BLK,15.88pi-100g	1	SA
23-3-6	DB67-70011E	WEIGHT-RUBBER	NR,T22,W36	1	SA
23-3-7	DB96-14716B	ASSY TUBE TANK-ACCUMULATOR	AJ050RXH5BC1	1	SA
23-3-8	DB96-24941D	ASSY SWITCH PRESSURE	HP/CO,DB34-00089A, 4.2MPa	1	SA

## ■ Parts List

No.	Material Code	Description	Specification	Q'TY	SA/SNA
23-3-8-1	DB34-00089A	SWITCH PRESSURE	DC5mA,DC5V,4.2MPa,L1200,Au	1	SA
23-4	DB96-24681B	ASSY TUBE EEV	AC036DXADKG/AZ,UB1,36 kBtu,H/P1.8C,4.6MPa	1	SA
23-4-1	DB62-09478B	SEAL-PIPE INLET	PE FOAM,T8,W10,L80	2	SA
23-4-2	DB62-09654D	VALVE SERVICE	-,BRASS,-,-,R410A,-,-,9.52mm,-,-,4.6MPa	1	SA
23-4-3	DB62-11374C	VALVE EXPAN	-,STS304,-,-,-,1.8mm,500,6.35mm,-,-,T-type, 4.6MPa	1	SA
23-4-4	DB96-26204C	ASSY VALVE-EXPANSION	AH40BMA57DBX,BLUE	1	SA
23-4-5	DB62-11421D	VALVE COIL EXPAN	DC12V,COIL,1000mm,MOLDING,T-type	1	SA
24	DB97-05328D	ASSY PACKING CASE ASSESSORY	RC100PHXEA,Global 4W-CST OUTDOOR	1	SA
24-1	DB63-10355C	SEAL DRAIN	-,CHLOROPRENE RUBBER,-,T2,W24,L72,-,-,-,-,-	3	SA
24-2	DB67-00806A	DRAIN-PLUG OUT	UH140GAV,HDPE,-,-,-,NATURAL,-,-,-	1	SA
24-3	DB73-20134A	RUBBER-LEG	V2-MD,NBR,T10,BLACK	4	SA
25	DB82-08610A	SVC ASSY EEPROM-OUT	-,AC030DXADCG, AA,UB1, UB8TN8300FJU, PF4_23S,-	1	SA
26	DB61-00533A	HOLDER-CLAMP COND	RVXMHF050GA,GI-SGCC,T0.8,W38,L25,-,-,-	1	SA
27	DB90-02316E	ASSY HOLDER-PLATE COND	RC100PHXEA	2	SA
28	DB81-00635A	SPRING ETC-SENSOR	DVM-SYSTEM,STS304,ID2.5,OD4.5,L44,T0.3,-,W2,NONE,-,-,-	2	SA
29	6002-000481	SCREW-TAPPING	TH,+ ,NO,2S,M4.0,L12,NI PLT,SWRCH18A,ZnNi + TOP Coating	14	SA

■ ASSY PBA KIT-OUT MODULE



## Parts List

No.	Material Code	Description	Specification	QTY	SA/SNA
11	DB92-05560A	ASSY PBA KIT-OUT MODULE	INVERTER,AC5000B,23R_Pf4_CBOX,Standard	1	SNA
11-1	DB37-00034A	TERMINAL BLOCK	DFT 40A-4P-M,MELAMINE,600V,40A,85.8x45x28.5mm, D5,NO,4P,SCREW-SCREW,1(L),2(N),L,N	1	SA
11-2	DB61-04502D	CASE-EMI	RC090MHXEA,HIPS,L0,NATURAL,VE-1877,VE-1877	1	SA
11-3	DB61-05743A	CASE-PCB	AM053FXMDCH/AA,HIPS,T2,L243.3,NATURAL,VE-1877, DVM MINI NASA	1	SA
11-4	DB90-12261B	ASSY PLATE-CONTROL	AC5000B	1	SNA
11-4-1	DB65-00274A	TERMINAL BLOCK	TERMINAL BLOCK,Polycarbonate, Phenol,AC300V, 20A, 22x36.4x24.2mm,0mm,D,-,2P,-,B_Type	1	SA
11-4-2	DB90-05889D	ASSY CASE CONTROL	AC145JX4PHH1	1	SA
11-4-3	DB93-10808J	ASSY CONNECTOR WIRE- COMM	2,1015,22,RED,YH396-02VR/ YEL,ST730678-3,179973-1,100, -,OP18C,OP18C,UNKNOWN,ND040WHXB1,N,-, ND040WHXB1,NASA MASTER	1	SA
11-4-4	DB93-17350A	ASSY CONNECTOR WIRE- EARTH	1,1015,18,YEL/GRN,MG634151/WHT,ST710095-3,-,100,-,-,-,-, PBA-Earth,Diffuser,-	1	SA
11-4-5	DB71-50021A	WIRE-SADDLE	PA,NTR,DAWS-2N(R)	2	SA
11-5	DB92-04635A	ASSY KIT	EMI PBA,POWER WIRE,Korea_Efficient,Standard	1	SA
11-5-1	DB93-13593A	ASSY PCB SUB-EMI	SUB,CAC-07,230*90,-,-,-,CAC,EHS-EMI,1-PHASE,N,Standard	1	SA
11-5-2	DB93-13687B	ASSY CONNECTOR WIRE- POWER	2,1015,12,BRN,ST710237-2,ST710237-2,-,150,-,-, TR29-18-15_C/T_RED,5,PBA-T/B,AC110RX4PBH3	1	SA
11-5-3	DB93-13692A	ASSY CONNECTOR WIRE- EARTH	1,1015,16,YEL/GRN,ST710095-2,ST730620-3,-,150,-,-,-,-, PBA TO PLATE,AEN250,N,-, EHS,EARTH,AWG16"	1	SA
11-6	DB92-05606A	ASSY PCB MAIN-OUT	HW,MID_MAIN_ABOV,192x121mm,220~240V,12V/5V,12W, PLFree_CAC,Y,SMPS,Standard	1	SA
11-6-1	DB82-08610A	ASSY PCB SUB-EEPROM	HW,SUB,DVMPLUS4 UP,20*25, WATER[E_92KA_112] SUB_ _DVM PLUS4UP,DVM,N,Standard	1	SA
11-7	DB92-05558A	ASSY PBA KIT-INVERTER	INVERTER,AC5000B,23R_Pf4_INV KIT,Standard	1	SA
11-7-1	0205-000178	GREASE-SILICON	YG611,WHITE, for assemble Heat Sink,1Kg	0.0035	SA
11-7-2	DB61-07904A	CASE PCB	AC110BXAFHH1PP,ABS,-,L264,NATURAL,-,VE0860SE	1	SA
11-7-3	DB62-13359B	HEAT SINK	23R_Pf4_5,AL,T10,W204.5,L192,Silver,H46.9,-,SILVER, IGBTMODULE_INFINEON	1	SNA
11-7-4	DB91-00306A	ASSY-SCREW MACHINE	BLDC INV. CONTROLLER,M3*16,WSP,PH,+,ZPC	4	SA
11-7-5	DB91-00307A	ASSY-SCREW MACHINE	WW-INV,M4*16,WSP,PH,+,ZPC	2	SA
11-7-6	DB92-05543C	ASSY PCB INVERTER	HW,INVERTER,AC5000B,242X194mm,220~240V,15V,12V,5V, 10W,23R_Pf4,Y,SMPS,Standard	1	SA
11-7-6-1	DB27-00140A	COIL HARMONIC	440uH,59.5x54x34mm,20A,OR40 "V",N	2	SNA
11-8	DB93-04273B	ASSY CONNECTOR WIRE- COMM	6,2095,26,BLU,SMH250-06L/WHT,SMH250-06L/ WHT,-, 850,-,-,-,PBA-PBA,CRYSTAL JUNIOR	1	SA
11-9	DB93-10809A	ASSY CONNECTOR WIRE- EMI TO MAIN POWER	2,1015,18,BRN,YH396-03VR/WHT,YH396-03VR/ WHT, -,150, -,,-,-,UNKNOWN,GLOBAL 4WAY, RC140RHXEA,-	1	SA
11-10	DB93-13687A	ASSY CONNECTOR WIRE- POWER	2,1015,12,BRN,ST710237-2,ST710237-2,-,360,-,-, TR29-18-15_C/T_RED,5,EMI PBA-T/B, AEN160BFBA1, N,-,EHS,1PHASE,POWER,AWG12	1	SA
11-11	DB93-13687B	ASSY CONNECTOR WIRE- POWER	2,1015,12,BRN,ST710237-2,ST710237-2,-,150,-,-, TR29-18-15_C/T_RED,5,PBA-T/B,AC110RX4PBH3	1	SA