

|                  |            |          |              |
|------------------|------------|----------|--------------|
| Job Name         | Location   |          |              |
| Purchaser        | Engineer   |          |              |
| Submitted to     | Reference  | Approval | Construction |
| Unit Designation | Schedule # |          |              |

### Specifications

|                               |  |  |  |
|-------------------------------|--|--|--|
| Performance                   | Nominal Capacity*  | Cooling (Btu/h)  | 33,000   |
|                               |  | Heating (Btu/h)  | 34,000   |
|                               | Capacity Range   | Cooling (Btu/h)  | 9,000 - 38,000   |
|                               |  | Heating (Btu/h)  | 9,000 - 45,000   |
|                               | SEER / EER   |  | 18.0 / 10.8  |
|                               | HSPF   |  | 9.0  |
| Condensate (pints/h)          |  | 8.45   |  |
| Power                         | Voltage (øV/Hz)  |  | 1 / 208-230 / 60   |
|                               | Working Voltage Range (VAC)  |  | 176 - 254 (max. 3% deviation from each)                              |
|                               | Rated Current  | Cooling (A)  | 3.6 / 14.2 / 18.0  |
|                               |  | Heating (A)  | 3.3 / 15.0 / 21.0  |
|                               | Max. Breaker (A)   |  | 30   |
|                               | Min. Circuit Ampacity (A)  |  | 19.5   |
| Dimensions                    | W X H X D (in.)  | Indoor Unit  | 50 3/8 X 13 9/16 X 10  |
|                               |  | Outdoor Unit   | 36 11/16 X 45 7/8 X 14 3/4   |
|                               | Weight (lbs.)  | Indoor Unit  | 40.12  |
|                               |  | Outdoor Unit   | 191.80   |
|                               | Condensate Connection  |  | 1 1/16" OD   |
|                               | Heat Exchanger   | Indoor & Outdoor Unit  | Type   |
| FPI                           |  |  | 18   |
| Pipe Diameter                 |  |  | 1/4 inch   |
| Indoor Unit                   |  | 2 row / 18 step  |  |
|                               |  | Outdoor Unit   | 2 row / 52 step  |
| Sound Pressure Level          |  | Indoor Unit (dB)   | (L / H)  |
|                               | Outdoor Unit (dB)  | High   | 59   |
| Operating Temperatures °F(°C) | Outdoor  | Cooling  | 14 ~ 115°F(-10 ~ 46°C)   |
|                               |  | Heating  | 0 ~ 115°F(-18 ~ 46°C) w/ wind baffle                                 |
|                               | Indoor   | Cooling  | 5 ~ 75°F(-15 ~ 24°C)   |
|                               |  | Heating  | 61 ~ 90°F(16 ~ 32°C)<br>T ≤ 80°F(27°C)                               |
| Pipe Connections              | Indoor & Outdoor   | High side (flare)  | 1/4"   |
|                               |  | Low side (flare)   | 5/8"   |
|                               | Maximum / Minimum Line Set Length (ft.)                                      |  | 164 / 10   |
|                               | Maximum Vertical Separation (ft.)  |  | 98   |
| Refrigerant                   | Type   |  | R410A  |
|                               | Control Method   |  | Electronic Expansion Valve   |
|                               | Factory Charge (oz.)   |  | 88.1   |
|                               | Charged for  |  | 25 ft.   |
|                               | Additional Refrigerant   |  | 0.43 oz./ft. over 25 ft.   |
| Compressor                    | Manufacturer   |  | Samsung  |
|                               | Type   |  | DC, Inverter Driven, Rotary  |
|                               | RLA (A)  |  | 13.8   |
|                               | Operating Frequency (Hz)   | Cooling (low/std./high)  | 15 / 55 / 63   |
|                               |  | Heating (low/std./high)  | 15 / 50 / 69   |
| Evaporator Fan                | Type   |  | BLDC motor with cross-flow fan (1)                                   |
|                               | Air Volume (L / M / H)   |  | 580 / 750 / 920  |
|                               | Consumption  | W  | 58   |
|                               | Operating Current (A)  |  | 0.22   |
| Condenser Fan                 | Motor  |  | BLDC motor with axial fan (2)  |
|                               | Output   | W  | 248  |
|                               | FLA  | Amps   | 1.04   |
| Accessories                   | Condensate pump  |  | ASP-MO-UNIV 110-250  |
|                               | Wired Controller   | Standard   | AQN-WRS02 (includes sub-PCB and MWR-WH00U controller)                |
|                               |  | Premium  | AQN-WRP2 (includes sub-PCB and MWR-WE13U controller with scheduling) |
|                               | Wall bracket (for outdoor unit)  |  | CKN-250  |
|                               | Line sets - insulated and flared, interconnect cables included               |  | 25' - ILS2509  |
|                               |  |  | 50' - ILS5009  |
|                               | Wind Baffle  | Front  | WBF-4M (2 required)  |
| Back                          |  | WBB-9M   |  |
| Safety                        | Certifications   |  | ETL (UL 1995)  |
|                               | Devices  | PCB fuses, indoor unit terminal block thermal fuse, current transformer, over-voltage protection, crankcase heating, temperature limit protection logic, compressor overload sensing |  |
| Warranty                      | 10 Year compressor, 10 Year Parts, 1 year limited labor (conditions apply)** |  |  |



- Low ambient control built in
- Outdoor unit shall provide 208/230V power to indoor unit via 14 AWG X 3 interconnect power cable
- Electro-static, washable, HD (high density) main filter as standard

#### Construction

Indoor unit chassis shall be UL94 V0 with a galvanized steel mounting bracket

The outdoor unit shall be galvanized steel with a baked on powder coated finish for durability

#### Heat Exchanger

The heat exchanger shall be mechanically bonded fin to copper tube

#### Refrigerant System

The compressor shall be hermetically sealed, inverter controlled, Twin BLDC Rotary

Refrigerant flow shall be controlled by EEV (electronic expansion valve) at outdoor unit

#### Indoor Fan

The indoor fan shall be a single, antibacterial cross-flow type

Three fan speed settings and auto setting

#### Controls

Control signal shall be DDC type signal

Interconnect control wiring shall be 16 AWG X 2 shielded wire between outdoor and indoor unit

Unit shall be operated via wireless controller (included)

Optional wired control available

#### Convenience

- Auto restart
- Turbo mode (during cooling operation only)
- Auto changeover
- 24 hour timer
- Good'sleep mode
- Quiet mode
- Dry mode

\*Certified in accordance with the AHRI Unitary Small Air-Source Heat Pumps (USHP) Certification Program which is based on the latest edition of AHRI Standard 210/240.

\*\*If registered within 60 days of installation and applies to units manufactured after 2015. Standard warranty is 7 year compressor, 5 year parts

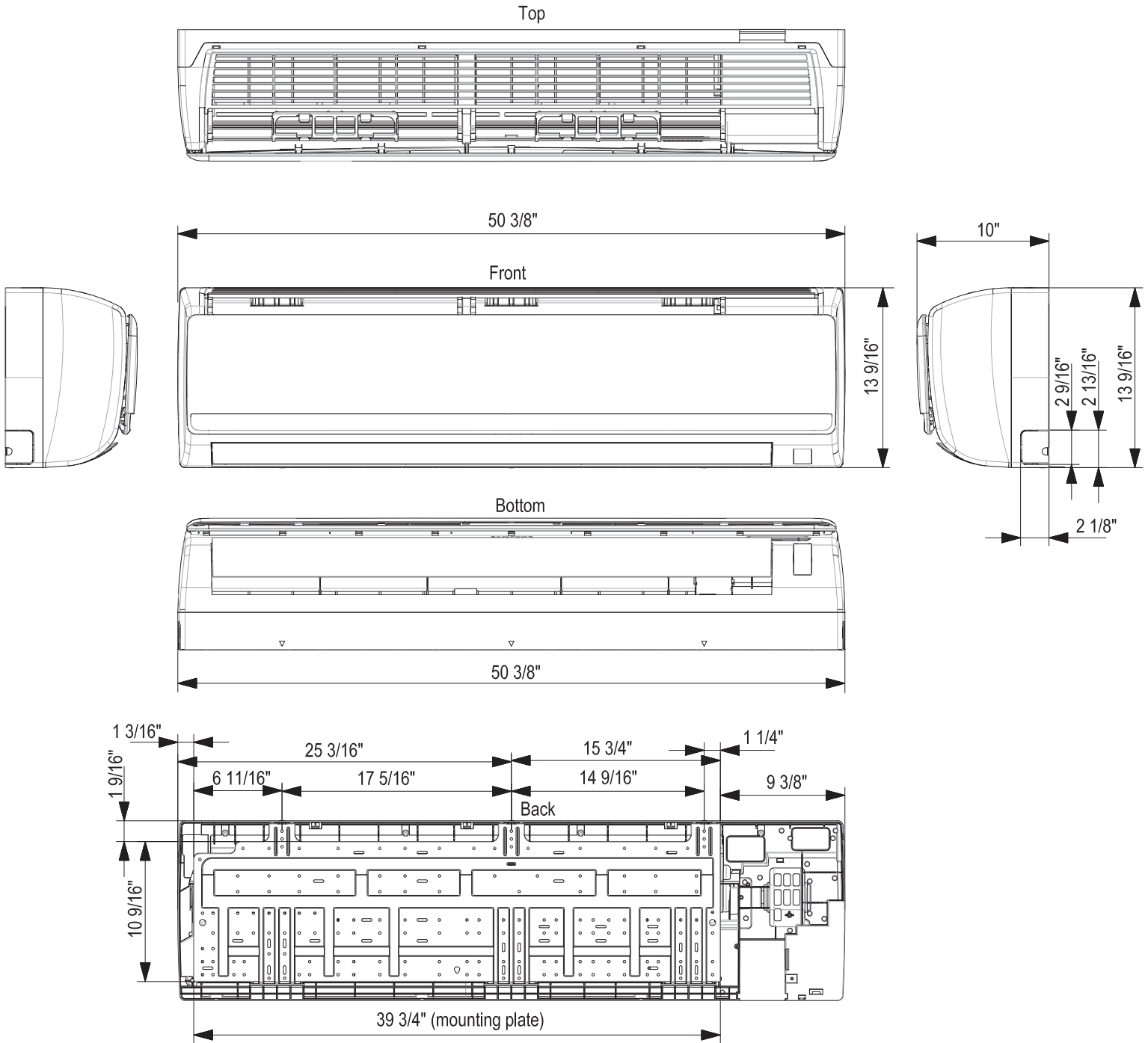
Samsung HVAC maintains a policy of ongoing development, specifications are subject to change without notice.

Refer to www.AHRIDirectory.org for current reference numbers.



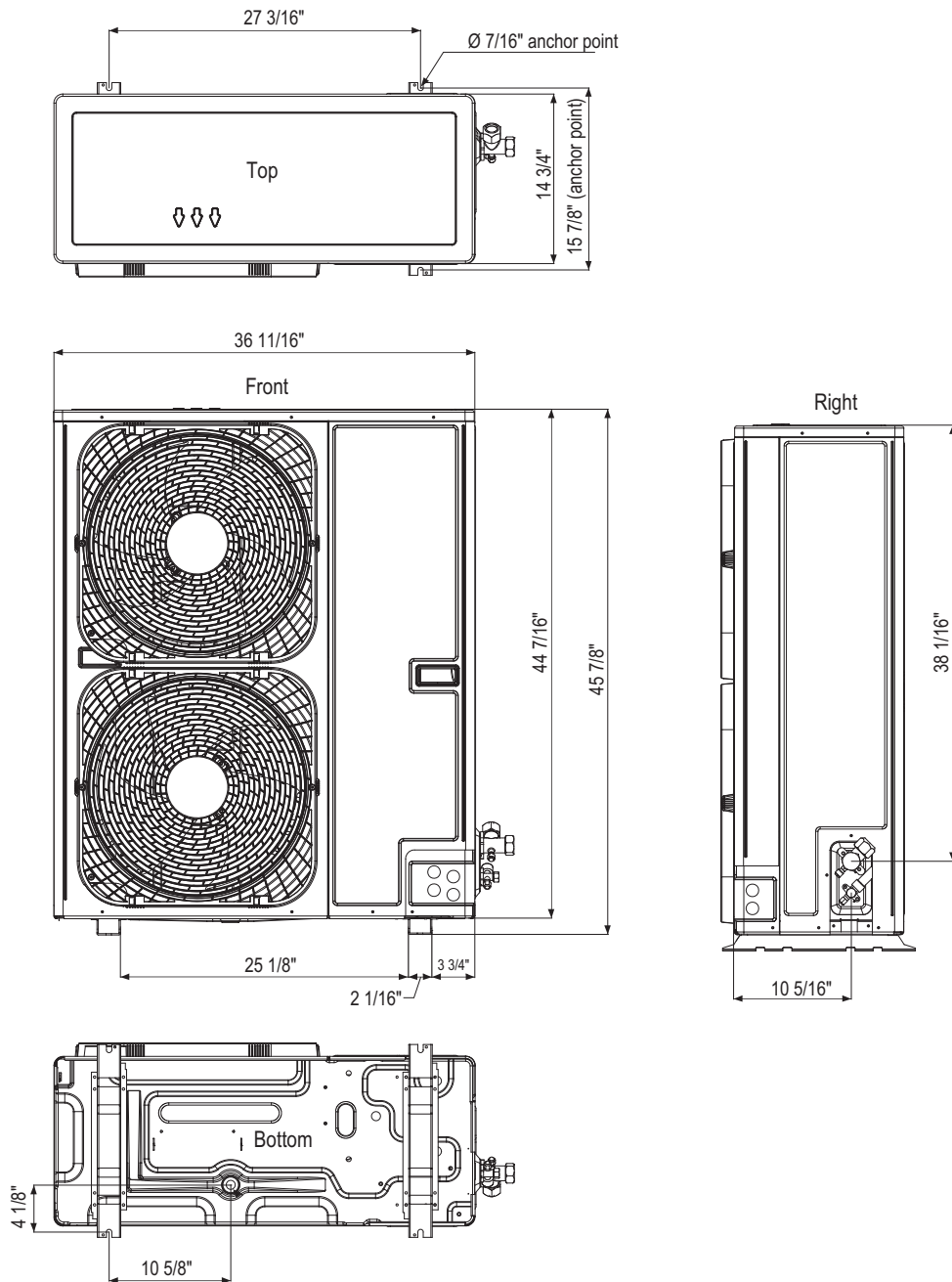
## SUBMITTAL AQN36VFUAGM / AQX36VFUAGM

AQN36VFUAGM Max, wall mounted evaporator, single zone split system



## SUBMITTAL AQN36VFUAGM / AQX36VFUAGM

AQN36VFUAGM Max, wall mounted evaporator, single zone split system



For reference only. Always refer to installation manual for complete details.

