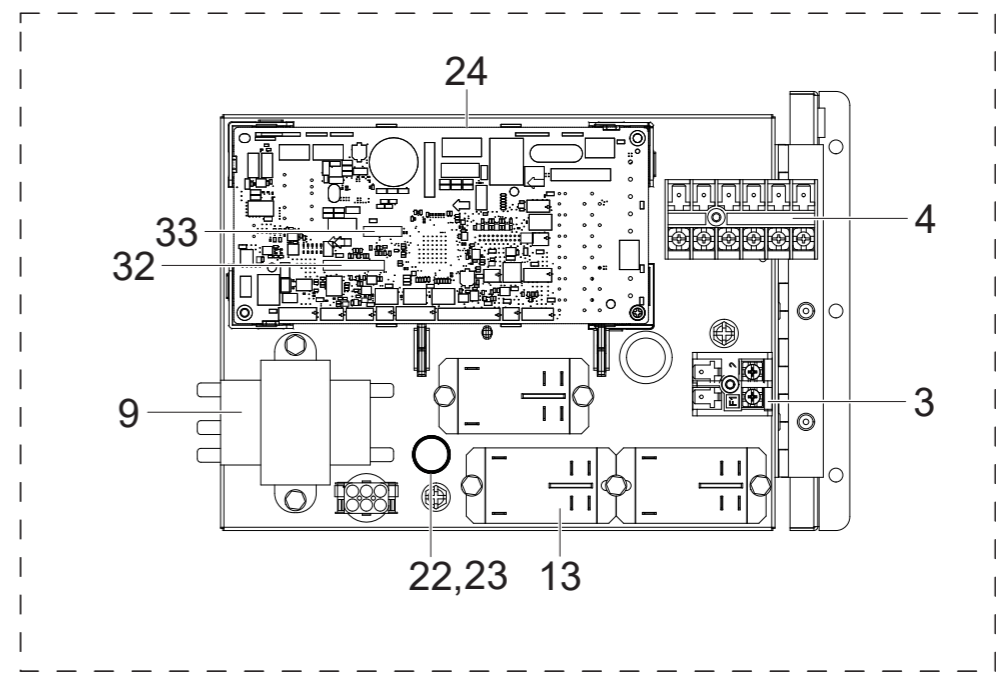
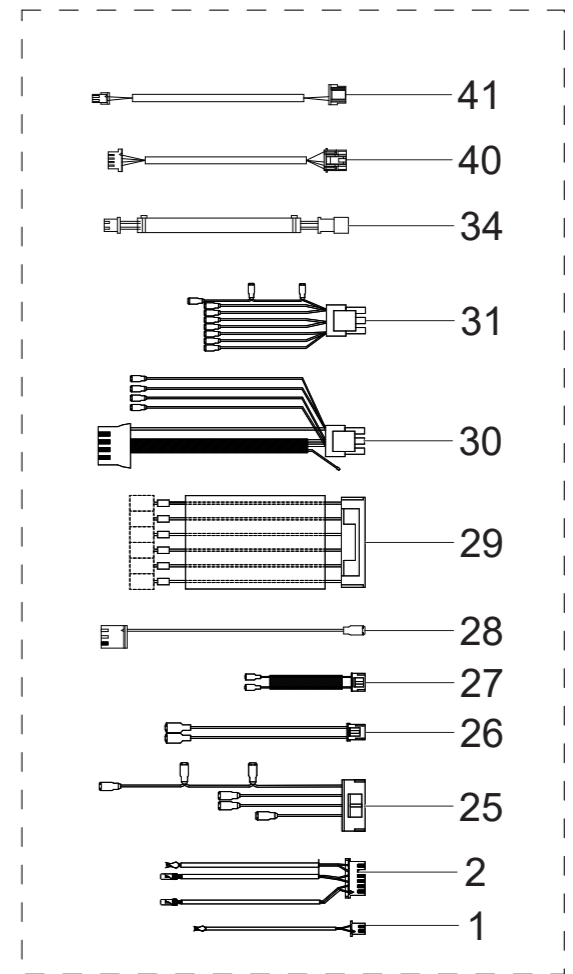
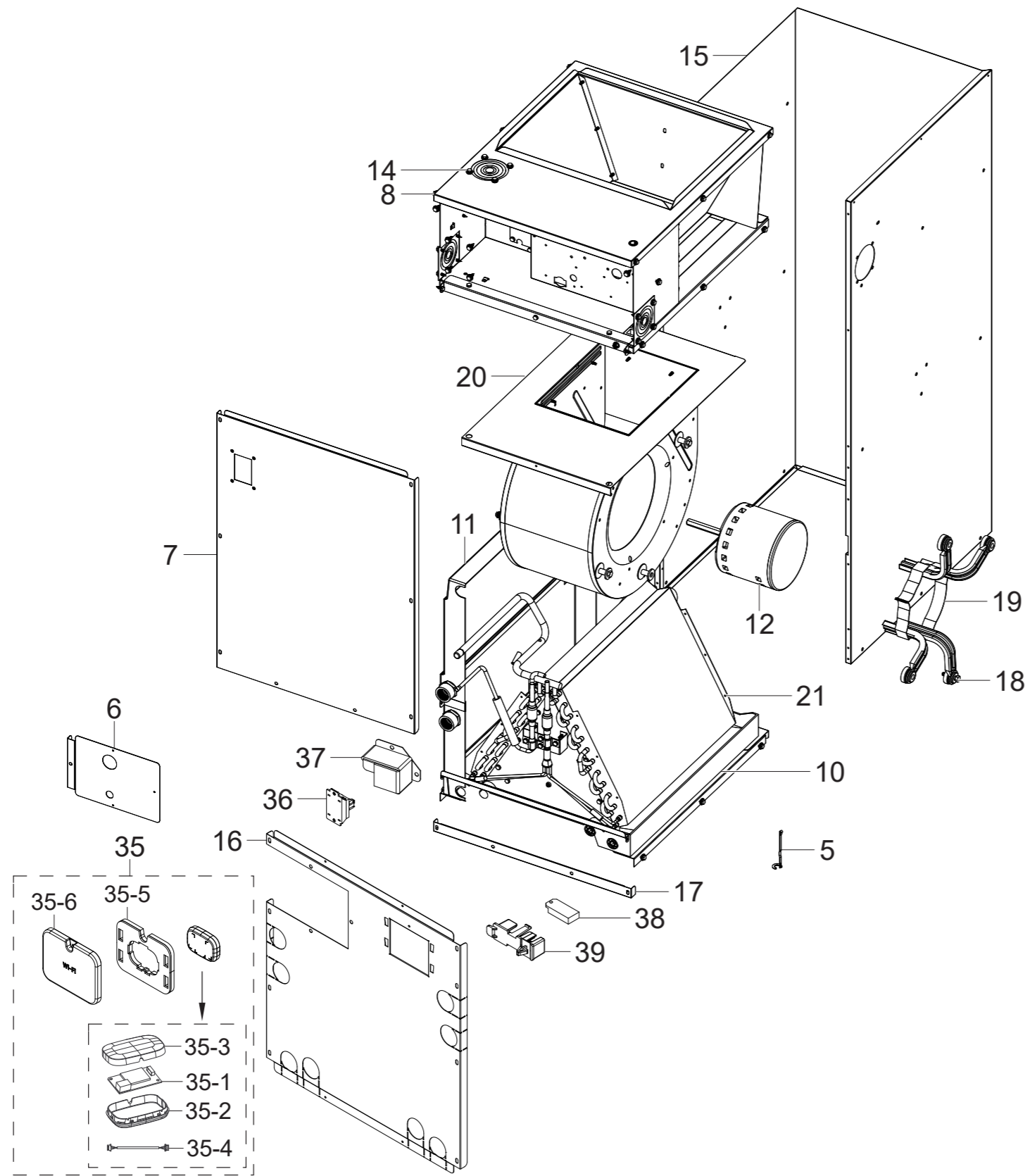


V-AHU Exploded Views and Parts List

■ AC018/024/030/036/048DNZDCG



Service Bom (SA: SERVICE AVAILABLE, SNA: SERVICE NOT AVAILABLE)

No.	Parts Code					Description	Mortex Part Name	Specification	Qty.	SA/SNA
	AC018DNZDCG	AC024DNZDCG	AC030DNZDCG	AC036DNZDCG	AC048DNZDCG					
1	DB32-00236A	DB32-00236A	DB32-00236A	DB32-00236A	DB32-00236A	SENSOR TEMP	-	SAMSUNG	1	SA
2	DB95-05011F	DB95-05011F	DB95-05011F	DB95-05011F	DB95-05011F	ASSY THERMISTOR IN	-	SAMSUNG	1	SA
3	DB37-00027C	DB37-00027C	DB37-00027C	DB37-00027C	DB37-00027C	TERMINAL BLOCK-THERMAL FUSE	-	SAMSUNG	1	SA
4	DB65-00179F	DB65-00179F	DB65-00179F	DB65-00179F	DB65-00179F	TERMINAL BLOCK	-	SAMSUNG	1	SA
5	DB81-00635A	DB81-00635A	DB81-00635A	DB81-00635A	DB81-00635A	SPRING ETC-SENSOR	-	SAMSUNG	2	SA
6	DB81-04179A	DB81-04179A	DB81-04179A	DB81-04179A	DB81-04179A	A/S-CABI FRONT DOWN SVC	LINE SET PLATE	MORTEX	1	SA
7	DB81-04180B	DB81-04180B	DB81-04180B	DB81-04180B	DB81-04180C	A/S-CABI FRONT UP	CABINET BLOWER DOOR	MORTEX	1	SA
8	DB81-04181E	DB81-04181E	DB81-04181E	DB81-04181E	DB81-04181F	A/S-CABI TOP	CABINET TOP	MORTEX	1	SA
9	DB81-04182A	DB81-04182A	DB81-04182A	DB81-04182A	DB81-04182A	A/S-TRANSFORMER	208/240 VAC SECOND 40VA W/0.25 X 0.032	MORTEX	1	SA
10	DB81-04183B	DB81-04183B	DB81-04183B	DB81-04183B	DB81-04183C	A/S-DRAIN PAN	VERTICAL DRAIN PAN	MORTEX	1	SA
11	DB81-04184B	DB81-04184B	DB81-04184B	DB81-04184B	DB81-04184C	A/S-DRAIN PAN SIDE	HORIZONTAL DRAIN PAN	MORTEX	1	SA
12	DB81-08058A	DB81-08058B	DB81-04294K	DB81-04294L	DB81-04294N	A/S-FAN MOTOR	CONSTANT TORQUE MOTOR, PROGRAMMED	MORTEX	1	SA
13	DB81-04186A	DB81-04186A	DB81-04186A	DB81-04186A	DB81-04186A	A/S-RELAY A	RELAY 240V COIL	MORTEX	3	SA
14	DB81-04190A	DB81-04190A	DB81-04190A	DB81-04190A	DB81-04190A	A/S-BRACKET WIRE	HIGH VOLTAGE KNOCK OUT PLATE	MORTEX	1	SA
15	DB81-04194B	DB81-04194B	DB81-04194B	DB81-04194B	DB81-04194C	A/S-CABI BACK	CABINET WRAPPER SAMSUNG	MORTEX	1	SA
16	DB81-04196E	DB81-04196E	DB81-04196E	DB81-04196E	DB81-04196F	A/S-CABI FRONT DOWN	COIL DOOR	MORTEX	1	SA
17	DB81-04197B	DB81-04197B	DB81-04197B	DB81-04197B	DB81-04197C	A/S-BRACKET CABI	BOTTOM BRACE	MORTEX	1	SA
18	DB81-04198A	DB81-04198A	DB81-04198A	DB81-04198A	DB81-04198A	A/S-BRACKET MOTOR LEG	MTR MT ARM&GRMMET 4L	MORTEX	1	SA
19	DB81-04199A	DB81-04199A	DB81-04199A	DB81-04199A	DB81-04199A	A/S-BRACKET MOTOR MIDDLE	MOTOR MOUNT BAND 4L	MORTEX	1	SA
20	DB81-04200B	DB81-04200B	DB81-04200B	DB81-04200B	DB81-04200C	A/S-BLOWER CASE	BLWER HOUSING AND WHEEL	MORTEX	1	SA
21	DB81-04293M	DB81-04293N	DB81-04293J	DB81-04293K	DB81-04293L	A/S-HEAT EXCHANGER	HEAT EXCHANGER	MORTEX	1	SA
22	DB81-04203A	DB81-04203A	DB81-04203A	DB81-04203A	DB81-04203A	A/S-FUSE	FUSE HOLDER AND FUSE	MORTEX	1	SA
23	DB81-04204A	DB81-04204A	DB81-04204A	DB81-04204A	DB81-04204A	A/S-FUSE HOLDER AND FUSE	FUSE HOLDER AND FUSE	MORTEX	1	SA
24	DB92-05775A	DB92-05775A	DB92-05775A	DB92-05775A	DB92-05775A	ASSY PCB MAIN	-	SAMSUNG	1	SA
25	DB93-16092A	DB93-16092A	DB93-16092A	DB93-16092A	DB93-16092A	ASSY CONNECTOR WIRE-AC SIGNAL	-	SAMSUNG	1	SA
26	DB93-09220A	DB93-09220A	DB93-09220A	DB93-09220A	DB93-09220A	ASSY CONNECTOR WIRE-FAN OUT	-	SAMSUNG	1	SA
27	DB93-09990A	DB93-09990A	DB93-09990A	DB93-09990A	DB93-09990A	ASSY CONNECTOR WIRE-POWER	-	SAMSUNG	1	SA
28	DB93-18064A	DB93-18064A	DB93-18064A	DB93-18064A	DB93-18064A	ASSY CONNECTOR WIRE-HOT COIL2	-	SAMSUNG	1	SA
29	DB93-14029A	DB93-14029A	DB93-14029A	DB93-14029A	DB93-14029A	ASSY CONNECTOR WIRE-DC SIGNAL	-	SAMSUNG	1	SA
30	DB81-04296A	DB81-04296A	DB81-04296A	DB81-04296A	DB81-04296A	A/S-MOTOR WIRE A	MOTOR WIRE	MORTEX	1	SA
31	DB81-04295A	DB81-04295A	DB81-04295A	DB81-04295A	DB81-04295A	A/S-MOTOR WIRE B	MOTOR WIRE	MORTEX	1	SA
32	DB92-02793A	DB92-02793A	DB92-02793A	DB92-02793A	DB92-02793A	ASSY FUNCTION	-	SAMSUNG	1	SA
33	DB92-04020A	DB92-04020A	DB92-04020A	DB92-04020A	DB92-04020A	ASSY PCB SUB	-	SAMSUNG	1	SA
34	DB93-14046A	DB93-14046A	DB93-14046A	DB93-14046A	DB93-14046A	ASSY CONNECTOR WIRE-DC SIGNAL	-	SAMSUNG	1	SA

Service Bom (**SA**: SERVICE AVAILABLE, **SNA**: SERVICE NOT AVAILABLE)

No.	Parts Code					Description	Mortex Part Name	Specification	Qty.	SA/SNA
	AC018DNZDCG	AC024DNZDCG	AC030DNZDCG	AC036DNZDCG	AC048DNZDCG					
35	DB90-12544B	DB90-12544B	DB90-12544B	DB90-12544B	DB90-12544B	ASSY CASE PCB	WIFI MODULE ASSY	SAMSUNG	1	SA
35-1	4709-003260	4709-003260	4709-003260	4709-003260	4709-003260	W-LAN MODULE	WIFI PBA	SAMSUNG	1	SA
35-2	DB61-07592A	DB61-07592A	DB61-07592A	DB61-07592A	DB61-07592A	CASE BOTTOM	-	SAMSUNG	1	SA
35-3	DB61-07593A	DB61-07593A	DB61-07593A	DB61-07593A	DB61-07593A	CASE TOP	-	SAMSUNG	1	SA
35-4	DB93-17392A	DB93-17392A	DB93-17392A	DB93-17392A	DB93-17392A	ASSY CONNECTOR WIRE-DC SIGNAL	WIFI WIRE	SAMSUNG	1	SA
35-5	DB62-13506A	DB62-13506A	DB62-13506A	DB62-13506A	DB62-13506A	SEAL CASE-IN	-	SAMSUNG	1	SNA
35-6	DB63-04559A	DB63-04559A	DB63-04559A	DB63-04559A	DB63-04559A	COVER CASE	Wi-Fi CASE	SAMSUNG	1	SNA
36	DB32-00309A	DB32-00309A	DB32-00309A	DB32-00309A	DB32-00309A	SENSOR-GAS	R32 SENSOR	SAMSUNG	1	SA
37	DB81-08082A	DB81-08082A	DB81-08082A	DB81-08082A	DB81-08082A	ASSY BRACKET	R32 SENSOR BRACKET	SAMSUNG	1	SA
38	DB32-00241G	DB32-00241G	DB32-00241G	DB32-00241G	DB32-00241G	SENSOR HUMIDITY	-	SAMSUNG	1	SA
39	DB61-08089A	DB61-08089A	DB61-08089A	DB61-08089A	DB61-08089A	HOLDER SENSOR	HUMIDITY SENSOR HOLDER	SAMSUNG	1	SA
40	DB93-18060E	DB93-18060E	DB93-18060E	DB93-18060E	DB93-18060E	ASSY CONNECTOR WIRE-DC SIGNAL	R32 sensorwire	SAMSUNG	1	SA
41	DB93-18053A	DB93-18053A	DB93-18053A	DB93-18053A	DB93-18053A	ASSY CONNECTOR WIRE-DC SIGNAL	R32 check wire	SAMSUNG	1	SA