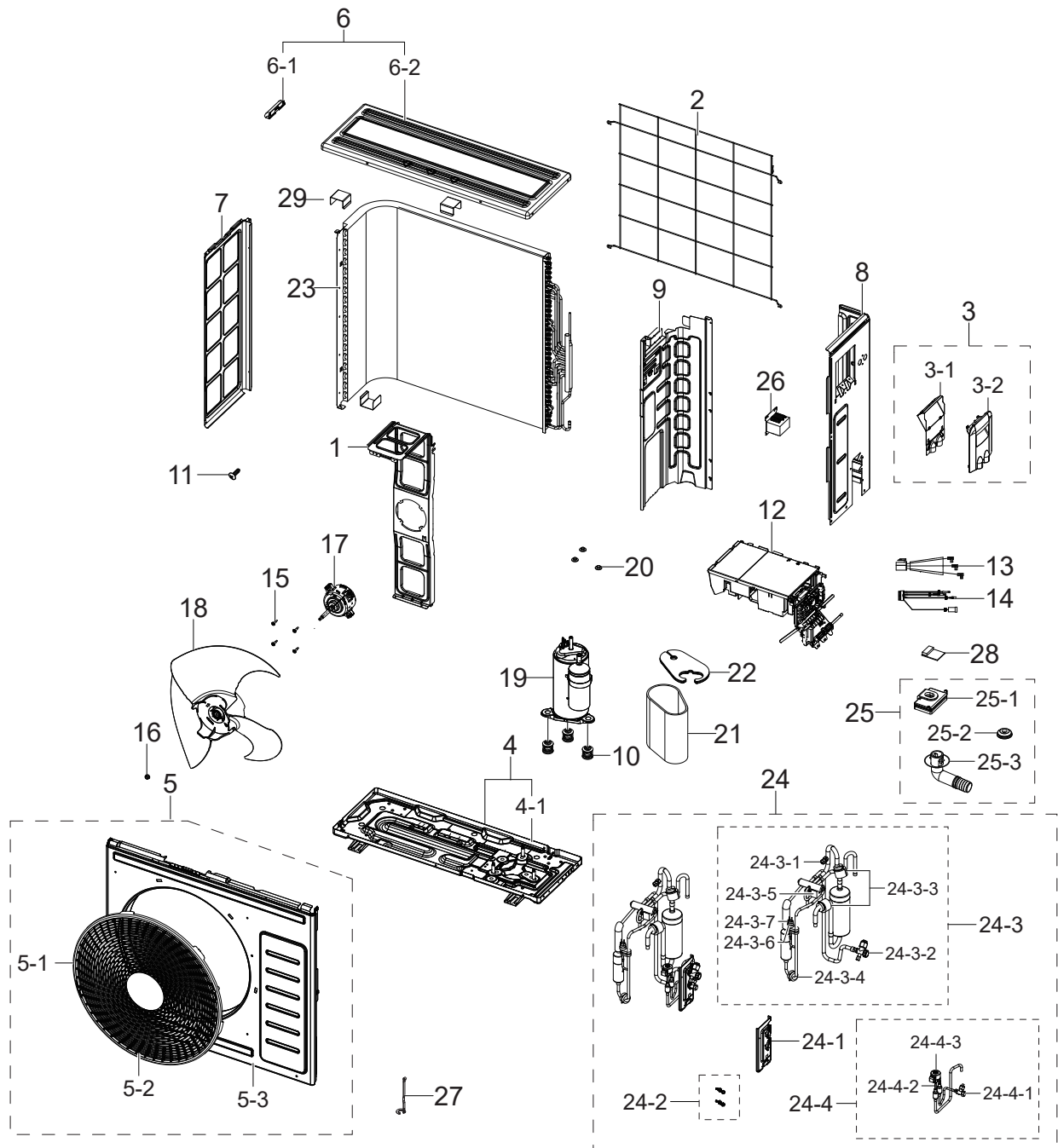


# Exploded Views and Parts List

■ AC024DXADCG/AA



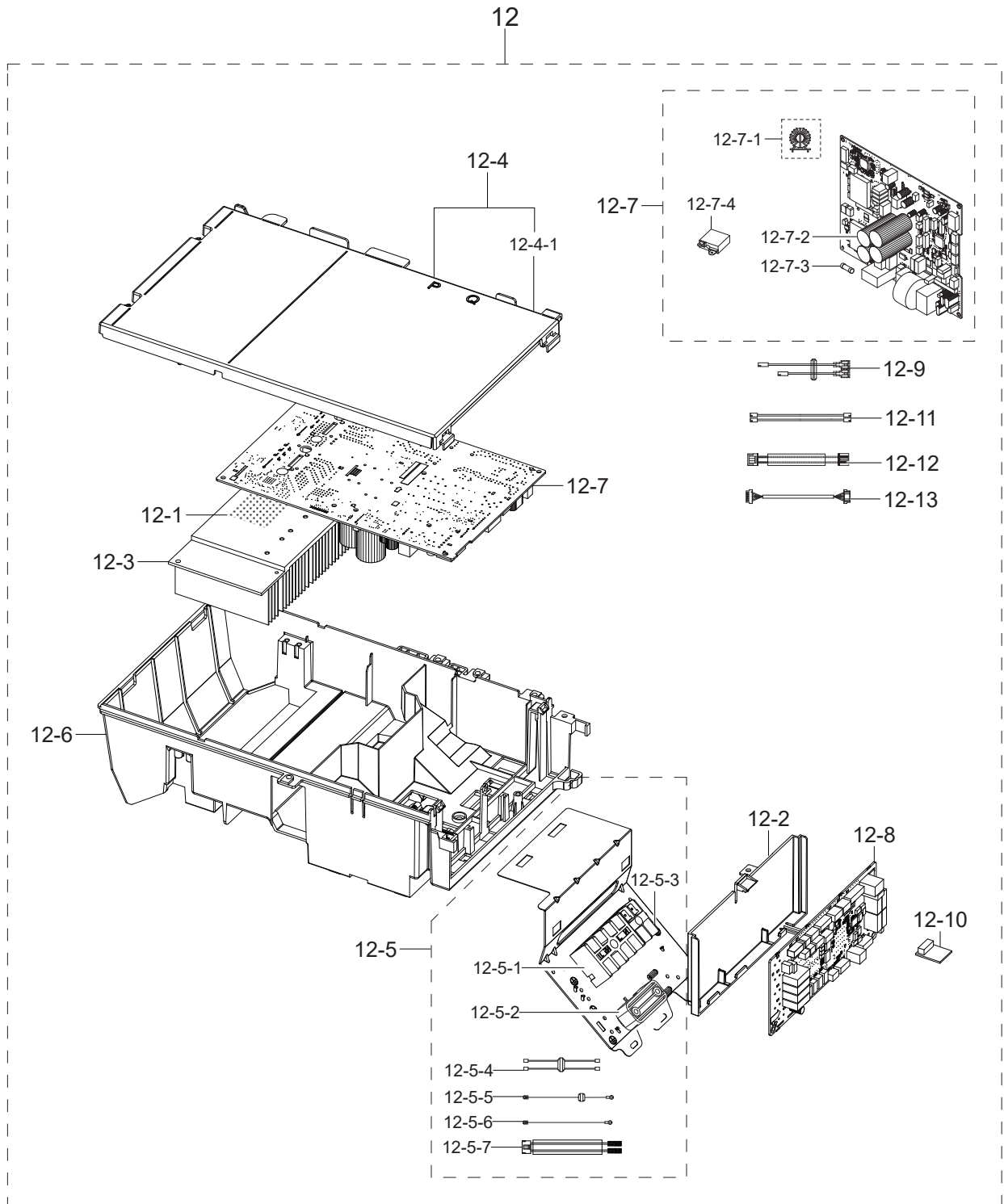
## Parts List

No.	Material Code	Description	Specification	QTY	SA/SNA
1	DB61-07067A	BRACKET MOTOR	Pchassis,GI-SGCC,T1.2,W207,L758.5	1	SA
2	DB63-03043B	GUARD COND-BACK	AP30M1AXXSG,MSWR,EARTH BROWN	1	SA
3	DB90-02958H	ASSY COVER CONTROL	TIME2	1	SA
3-1	DB61-07204A	PLATE CONTROL	AF16N7972DAX,GI-SGCC,T0.3	1	SNA
3-2	DB63-10490K	COVER-CONTROL	MEMORY,ASA,T2,EARTH BROWN,WR-0790	1	SNA
4	DB90-11090F	ASSY BASE OUT	New Q,P Chassis,48F,HP	1	SA
4-1	DB61-07011J	BASE-OUT	New Q,P Chassis,SGMCC,T1,48F,HP	1	SNA
5	DB90-11092C	ASSY CABI FRONT	New P Chassis	1	SA
5-1	6002-000481	SCREW-TAPPING	TH,+,NO,2S,M4.0,L12,NI PLT,SWRCH18A,ZnNi + TOP Coating	1	SA
5-2	DB63-04021A	GUARD FAN	Pchassis,PP,T2.5,EARTH BROWN	1	SA
5-3	DB64-03361A	CABINET FRONT	Pchassis,GI-SGCC,T0.8,EARTH BROWN,DAC- GY1001T,SPPWC	1	SNA
6	DB90-11094A	ASSY CABI TOP	AF9500N	1	SA
6-1	DB64-00967B	HANDLE-OUTDOOR	FAC,PPT,3,W24.8,L110,MT62AW,EARTH BROWN	1	SA
6-2	DB64-03363A	CABINET TOP	Q chassis,GI-SGCC,T0.8,EARTH BROWN,DAC- GY1001T, SPPWC	1	SNA
7	DB90-11257B	ASSY CABI SIDE-LF	AC018BXADCH/AA,P520	1	SA
8	DB90-12254A	ASSY CABI SIDE-RH	AC018BXADCH/AA,P520	1	SA
9	DB94-07354A	ASSY PARTITION	AF9500N	1	SA
10	DB92-04292A	ASSY DAMPER-GROMMET	AC036MXSCCC/AA	3	SA
11	6002-000481	SCREW-TAPPING	TH,+,NO,2S,M4.0,L12,NI PLT,SWRCH18A,ZnNi + TOP Coating	31	SA
12	DB92-05715A	ASSY PBA KIT-OUT	OUTDOOR,AC5000B_P174,CAC_17S PF3_PL Free,Standard	1	SA
13	DB93-11274B	ASSY CONNECTOR WIRE- COMP OUT	3,3343,14,RED,ST730269-3,ST730190-2,-, 540, PVC TUBE/105°C/9,450,-,-,PBA_COMP OUT, 11 VENICE-PJT,11 VENICE-PJT,COMP,P,AWG1	1	SA
14	DB95-05268A	ASSY THERMISTOR OUT	SMH200-H08H3,L450,10kohm,3%,25C,Molding	1	SA
15	DB60-00150A	SCREW-SPECIAL	HWH,M4,L26,ZPC(WHT),SWRCH18A	4	SA
16	DB60-00405A	FASTENER-WASHER	RC100ZXHEA,SWRCH10A,M8	1	SA
17	DB31-00658J	MOTOR BLDC FAN	800rpm,310V,1.0A,125W,8Pole,CW	1	SA
18	DB94-04381A	ASSY FAN PROPELLER	DVM S ECO,520	1	SA
19	UB8TA8265FEWSG	RCP,COMP,RCP,F,R32	RCP,COMP,RCP,F,R32	1	SA
20	DB60-30028A	NUT-FLANGE	HWH,M8,ZPC(WHT),SWRCH18A,P1.25/Washer Type (WP)	3	SA
21	DB63-03186D	FELT-COMP SIDE	-,CLOTH/EVAR,FELT,T9,BLACK,HBF,-,-	1	SA
22	DB63-03188B	FELT-COMP TOP IN	WW1,CLOTH/EVAR/FELT,T11.5,-,-,-	1	SA
23	DB96-26914A	ASSY COND BENDING	P-condenser,L892.8	1	SA
24	DB96-26917B	ASSY TUBE SERVICE-BRACKET	P,HP,AA,UB8TA8265FEWSG	1	SNA
24-1	6011-007313	BOLT-HEX	M6,L16,NI PLT,HH,SWRCH18A,Top Coating	4	SA
24-2	DB61-01593A	BRACKET-VALVE	HP-SR2371GB,GI-SGCC,T1.5,W,-,-,-	1	SA
24-3	DB96-26918B	ASSY TUBE 4WAY	P,HP,AA,UB8TA8265FEWSG,GAS 5/8"	1	SA
24-3-1	DB60-30010A	FASTENER-NUT FLARE	-,BRASS,-,-,-,1/4"	1	SA
24-3-2	DB62-09658D	VALVE SERVICE-SPINDLE	BRASS,4.6MPa,R410A,15.88mm	1	SA
24-3-3	DB67-01292A	WEIGHT RUBBER	ADX200VGHHA1,NR,BLK,OD 15.88	2	SA
24-3-4	DB67-70011A	WEIGHT-RUBBER	-,NR,-,W22,BLACK,-,-,ID9,OD36,50g,BLACK	1	SA
24-3-5	DB96-23821D	ASSY VALVE-SOLENOID	HPR32,DB33-00078A	1	SA
24-3-6	DB96-24941B	ASSY SWITCH PRESSURE	CO,22R FAC Q/P	1	SA
24-3-7	DB34-00089A	SWITCH PRESSURE	DC5mA,DC5V,4.2MPa,L1200,Au	1	SA
24-4	DB96-26919A	ASSY TUBE EEV	P,HP,AA,DB96-26914A	1	SA
24-4-1	DB62-09652C	VALVE SERVICE-SPINDLE	BRASS,4.6MPa,R410A,6.35mm	1	SA
24-4-2	DB62-11374C	VALVE EXPAN	-,STS304,-,-,-,-,1.8mm,500,6.35mm,-,-,-,T-type, 4.6MPa	1	SA
24-4-3	DB62-11421C	VALVE COIL EXPAN	DC12V,COIL,1000mm,MOLDING,T-type	1	SA
25	DB97-02096H	ASSY ACCESSORY	CO,SH07(09)APG,G1-PJT	1	SNA
25-1	DB73-00179A	RUBBER-LEG	G-PJT,NR,50	4	SA

## ■ Parts List

No.	Material Code	Description	Specification	QTY	SA/SNA
25-2	DB63-10355C	SEAL DRAIN	CHLOROPRENE RUBBER,T2,W24,L7.2,-,-,-,-	4	SA
25-3	DB67-00806A	DRAIN-PLUG OUT	UH140GAV,HDPE,NATURAL,-,SM800,-	1	SA
26	DB27-00100A	COIL HARMONIC	5mH,86.0x94.5xTmm,20A,-	1	SA
27	DB81-00635A	SPRING ETC-SENSOR	DVM-SYSTEM, STS304,ID2.5,OD4.5,L44,T0.3, W2,NONE	2	SA
28	DB82-08609A	SVC ASSY EEPROM-OUT	-,-,AC024DXADCG, AA,P, UB8TA8265FEW, PF3_17S,-	1	SA
29	DB61-00533A	HOLDER-CLAMP COND	RVXMHF050GA,GI-SGCC,T0.8,W38,L25,-,-,-	3	SA

■ ASSY PBA KIT-OUT MODULE



## Parts List

No.	Material Code	Description	Specification	QTY	SA/SNA
12	DB92-05715A	ASSY PBA KIT-OUT MODULE	OUTDOOR,AC5000B_P174,CAC_17S_PF3_PL Free,Standard	1	SA
12-1	0205-000178	GREASE-SILICON	YG6111,WHITE, for assemble Heat Sink,1Kg	0.005	SA
12-2	DB61-07235A	CASE PCB	NEW #3 CONTROLLER,ABS,T2,L185.3,BLACK,VE-0858	1	SA
12-3	DB62-12477A	HEAT SINK	INV PF3,Al,T5,W195,L95,SILVER,H45	1	SA
12-4	DB90-08242C	ASSY COVER CONTROL	18Y FAC	1	SA
12-4-1	DB63-02817A	COVER-CONTROLLER	AFN-SD232T*,ABS,T2.3,W343.3,L207.1,BLACK,VE-0858,VE-0858	1	SA
12-5	DB90-11224A	ASSY PLATE-CONTROL	NEW #3 CONTROLLER	1	SA
12-5-1	DB37-00033D	TERMINAL BLOCK	DAF-4P-M,MELAMINE,300V,25A,58.7X36.4X22mm,D4,NO,4P,TAB-SCREW,1(L),2(N),L,N	1	SA
12-5-2	DB61-00250A	HOLDER-WIRE CLAMP	AF25M9970DBX,PA66,BLACK,V-0,FR50	1	SA
12-5-3	DB65-00274A	TERMINAL BLOCK	TERMINAL BLOCK,Polycarbonate, Phenol,AC300V,20A,22x36.4x24.2mm,0mm,D,-,2P,-,B_Type	1	SA
12-5-4	DB93-05434G	ASSY CONNECTOR WIRE-SN	2,1015,18,BRN,ST730620-3,ST730620-3,-,150,-,-,RING23.5,3,TB-TB,CAC,N,-,PAC,#4,5,JUMP,CORE	1	SA
12-5-5	DB93-10906A	ASSY CONNECTOR WIRE-EARTH	1,1015,18,YEL/GRN,ST730711-3,ST710095-3,-,150,-,-,TR19-13-11/G8A,2,PBA-PLATE,CAC	1	SA
12-5-6	DB93-10906B	ASSY CONNECTOR WIRE-EARTH	1,1015,18,YEL/GRN,ST730711-3,ST710095-3,-,280,-,-,-,PBA-EARTH,FAC OUTDOOR	1	SA
12-5-7	DB93-16402A	ASSY CONNECTOR WIRE-COMM	2,1007,22,RED,YH396-02VR/RED,175020-1,-,250,PVC/BLK,200,-,-,PBA-T/B,RAC,-	1	SA
12-5-8	DB93-16973A	ASSY CONNECTOR WIRE-POWER	2,1015,14,BRN,175022-1,MG630591R/WHT,-,300,-,-,TR36-23-15/G8A,11,PBA-T/B,AC072RX4PBH3	1	SA
12-6	DB90-11249A	ASSY CASE CONTROL	NEW 3# CONTROLLER	1	SA
12-7	DB92-05668B	ASSY PCB INVERTER	HW,INVERTER,CAC/FJM,160x242,220V-240V,5V/12V/15V,17S_PF3_PL Free,Y,SMPS,Standard	1	SA
12-7-1	DB27-00078A	COIL CHOKE	12mH,20A,28.5x21,Mn-Zn,4,DIP	1	SA
12-7-2	2401-006185	C-AL	390uF,20%,400V,WT,BK,25.4x60mm,10mm	4	SA
12-7-3	3601-001652	FUSE-AXIAL LEAD	250V,30A,TIME-LAG,CERAMIC,6.35x31.8mm	1	SA
12-7-4	3501-001754	RELAY-POWER	12V,0.9W,25000mA,1FormA,20ms,10ms,TR,-30to+85C,250Vac,160Ohm,25A,1A,100MOH,SINGLE POLE,6370VA,PCB Mount,EX	1	SA
12-8	DB92-05165A	ASSY PCB MAIN-OUT	SML_MAIN_ABOV,CAC_AC5000B,180x80mm,-,-,-,N,Standard	1	SA
12-9	DB93-10905B	ASSY CONNECTOR WIRE-COMP	3,1015,14,RED,MG624757/WHT,MG630591R/WHT,MG635387/WHT,385,-,-,TR36-23-15_G8A_Gray,TR36-23-15_G8A_Gray,PBA-COMP,AF-H900K,	1	SA
12-10	DB82-08609A	ASSY PCB SUB-EEPROM	SUB,DVMPPLUS4 UP,20*25,-,-,-,SUB DVM PLUS4UP,DVM WATERIE_92KA_112],N,-,Standard	1	SA
12-11	DB93-17175A	ASSY CONNECTOR WIRE-REACTOR	2,1015,16,WHT,MG630591R/WHT,MG633976K/WHT,-,370,-,-,-,PBA-REACTOR,QMD RAC AR9500T,-	1	SA
12-12	DB93-16974A	ASSY CONNECTOR WIRE-POWER	2,1015,18,BRN,YH396-03VR/BLK,YH396-03VR/WHT,-,200,PVC/VW-1/8PI/BLK,150,-,-,PBA-PBA,AC072RX4PBH3	1	SA
12-13	DB93-17033A	ASSY CONNECTOR WIRE-DC SIGNAL	8,2095,26,BRN,SMH250-08L/WHT,SMH250-08L/WHT,-,200,-,-,-,PBA-PBA,CAC R32	1	SA