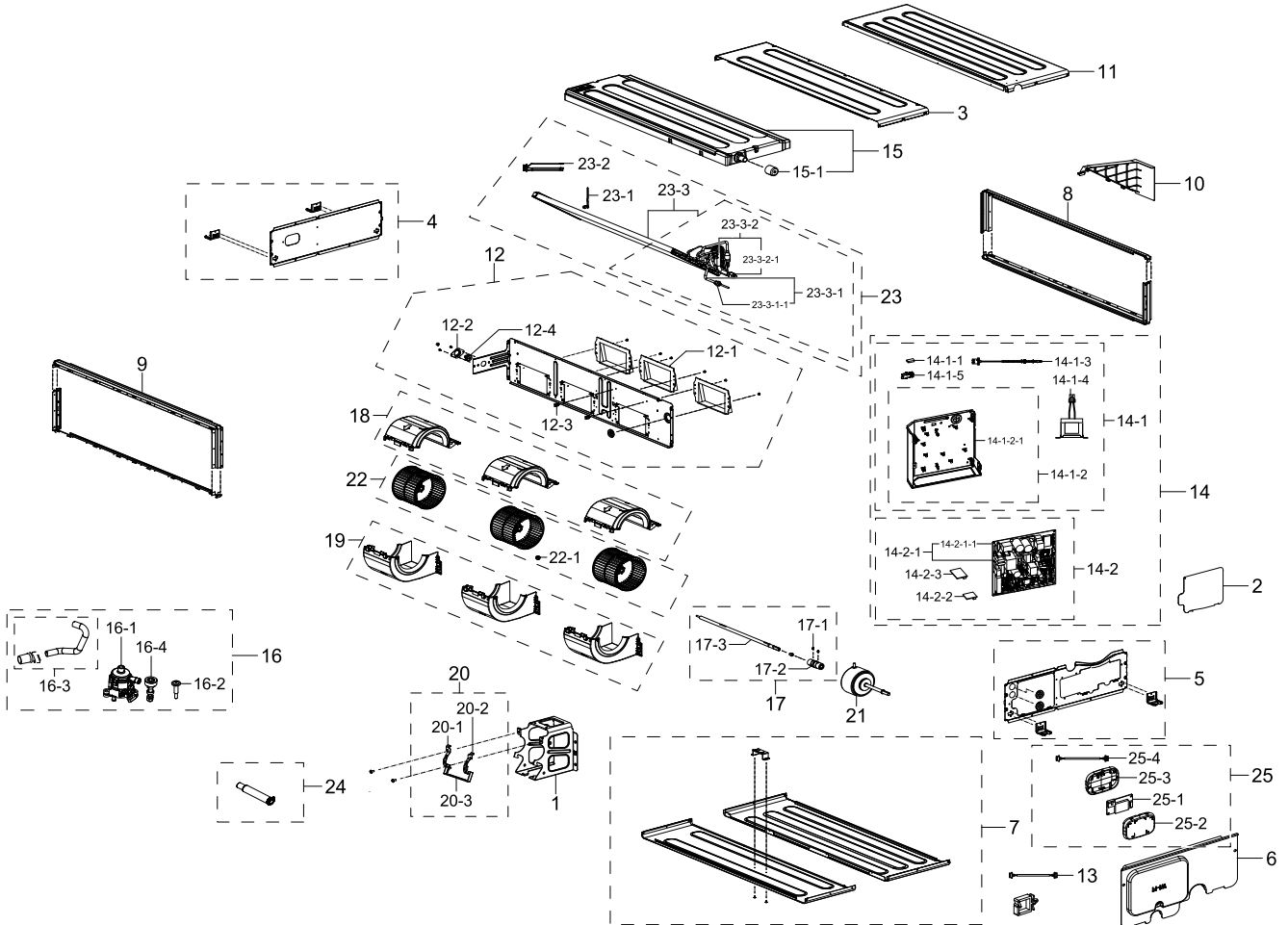


1. AC036DNHDCG/AA

AC036DNHDCG/AA

Exploded View



Parts List

No.	Lvl.	Loc.	Material Code	Description & Specification	SNA	Qty.
1	3	B0516	DB61-06201A	BRACKET MOTOR; Global Duct,HGI-SGHC,T2.5,	SA	1
2	3		DB63-03548A	COVER CONTROL; Global Duct,GI-SGCC,T0.8	SA	1
3	3		DB64-03023A	CABINET-BOTTOM FAN; GLOBAL DUCT,GI-SGCC,T	SA	1
4	3	A0204	DB90-07912A	ASSY CABINET-SIDE LF; GLOBAL DUCT	SA	1
5	3	A0206	DB90-07913A	ASSY CABINET-SIDE RH; GLOBAL DUCT	SA	1
6	3	A0797	DB90-07905B	ASSY COVER-PIPE; AC052DNMDKF/TS,ASSY	SA	1
7	3		DB90-07914C	ASSY CABI TOP; MDDD048S6-1P,Lennox model	SA	1
8	3	A0165	DB90-07911A	ASSY CABINET-FRAME; GLOBAL DUCT	SA	1
9	3		DB90-07911B	ASSY CABI IN-FRAME; Global Duct 3,SSEC	SA	1
10	3		DB90-08063A	ASSY SUPPORT-EVAP; global duct,GD3,ASSY	SA	1
11	3		DB90-08306B	ASSY CABI BOTTOM-COND; 4MUD4536B10N0A,SSE	SA	1

Exploded Views and Parts List

No.	Lvl.	Loc.	Material Code	Description & Specification	SNA	Qty.
12	3	A1748	DB94-04346F	ASSY PARTITION; AM145ANHDBH1,ASSY	SA	1
12-1	4		DB61-05907A	CASE BLOWER-OUT; AC048HBMDKD/TC,HIPS,T2.5	SA	3
12-2	4		DB67-00581A	CAP-BEARING; EH140EZMC,CR-SPCC,T0.6,-,-,-	SA	1
12-3	4	W0083	DB71-00058A	WIRE-SADDLE; PA66,WHITE,ID22.5	SNA	4
12-4	4		DB94-00759A	ASSY-MOLD BEARING; SLIM DUCT 3,SSEC	SA	1
13	3		DB93-17392F	ASSY CONNECTOR WIRE-DC SIGNAL; 5,2095,26,	SA	1
14	2		DB92-05575B	ASSY PBA KIT-IN; INDOOR,CAC PND(HSP),WIFI	SNA	1
14-1	3	A0696	DB93-18049A	ASSY CONTROL IN; HP,CAC PND GD3,AC030DNHD	SNA	1
14-1-1	4		DB32-00241A	SENSOR HUMIDITY; 5V,0~100%RH,AC	SA	1
14-1-2	4		DB90-11461B	ASSY CASE CONTROL; AM071ANMPKH/EU,ASSY	SA	1
14-1-2-1	5	C0230	DB61-07402D	CASE CONTROL; AM071DNMDKG/EU,GI-SGCC,T0.7	SA	1
14-1-3	4		DB95-05009D	ASSY THERMISTOR;AC,250,10,±3,25,-	SA	1
14-1-4	4		DC26-00009U	COIL HARMONIC; 2.5mH,80x20x45mm,6A,DC26-0	SA	1
14-1-5	4		DB61-08089A	HOLDER SENSOR; AC160DNMDKF/TS,PP,-,NATURA	SA	1
14-2	3	A1767	DB92-05571D	ASSY PCB MAIN-IN; SW,INDOOR,CAC PND(HSP),	SA	1
14-2-1	4		DB92-05802A	ASSY PCB MAIN H/W; ASSY PCB MAIN-HW,CAC P	SNA	1
14-2-1-1	5	T0174	DB37-00026A	TERMINAL BLOCK; DAPC 3013-2P-M,MELAMINE,3	SA	1
14-2-2	5	A0694	DB92-04020A	ASSY PCB SUB; HW,SUB,20*25,Indoor EEPROM,	SA	1
14-2-3	5		DB92-02793B	ASSY FUNCTION; COMM,R290 EHS,2Line Sub (E	SA	1
15	3	A2303	DB94-04350B	ASSY TRAY DRAIN; GD3 DUCT,DRAIN PUMP BUIL	SA	1
15-1	4		DB67-01745A	CAP-RUBBER; HOME DUCT1/2,EPDM,BLACK	SNA	1
16	3		DB94-05032A	ASSY DRAIN PUMP; MDP-G075SQ,Global Duct B	SA	1
16-1	4		DB31-00649M	PUMP DRAIN; 400cc/min,-,1200mm,UL224,L665	SA	1
16-2	4	S0019	DB60-00150A	SCREW-SPECIAL; HWH,M4,L26,ZPC(WHT),SWRCH1	SA	2
16-3	4	D0105	DB67-01174A	DRAIN HOSE-SOCKET; CH140EAMC,POM,INNER WH	SA	1
16-4	4	S0205	DB95-04462D	SWITCH FLOAT; 70mm,3.4mm,660mm,SMH250-02L	SA	1
17	2		DB90-07868A	ASSY SUPPORT-FAN; GLOBAL-DUCT	SA	1
17-1	3	B0256	DB60-20011A	BOLT-SPECIAL; -,-,-,L10,-,M6,-,-,-,-	SA	2
17-2	3		DB73-00285A	RUBBER-SHAFT; SLIM DUCT-3,NBR,SSEC	SA	1
17-3	3		DB96-04902A	ASSY-COUPLER; SLIM DUCT 2,SSEC	SA	1
18	2		DB90-07936A	ASSY CASE FAN-BOTTOM; GLOBAL DUCT	SA	3
19	2		DB90-07937A	ASSY CASE FAN-TOP; GLOBAL DUCT	SA	3
20	1		DB94-08846A	ASSY FAN IN PARTS; AC036BNHDCH/AA,ASSY	SNA	1
20-1	2	H0256	DB61-05983A	HOLDER-MOTOR; GLOBAL DUCT,GI-SGCC,T2,L155	SA	1
20-2	2	H0256	DB61-05984A	HOLDER-MOTOR; GLOBAL DUCT,GI-SGCC,T2,L155	SA	1
20-3	2	B0268	DB61-06200A	BRACKET MOTOR-UP; Global Duct,GI-SGCC,T1.	SA	1
21	3		DB31-00692A	MOTOR BLDC FAN; DL-17830SSBC,1460rpm,310V	SA	1
22	3	A0129	DB94-04139A	ASSY BLOWER; AC-F410G,198PI	SA	3
22-1	4	B0256	DB60-20011A	BOLT-SPECIAL; -,-,-,L10,-,M6,-,-,-,-	SA	3
23	2		DB96-25338A	ASSY EVAP-MODULE; AC048TNMPEH/IQ,ASSY	SNA	1

No.	Lvl.	Loc.	Material Code	Description & Specification	SNA	Qty.
23-1	3	S0242	DB81-00635A	SPRING ETC-SENSOR; DVM-SYSTEM,STS304,ID2.	SA	2
23-2	3		DB95-05011A	ASSY THERMISTOR IN-EVA IN OUT; SMH200-06H	SA	1
23-3	3	A1019	DB96-23013B	ASSY EVAP-MAIN; AC048TNMPEH/IQ,ASSY	SA	1
23-3-1	4	A2355	DB96-25348A	ASSY TUBE EVAP-IN; AC048TNMPEH/IQ,ASSY	SNA	1
23-3-1-1	5		DB60-30010B	FASTENER-NUT FLARE; AR12RV3HEWKXNA,BRASS,	SA	1
23-3-2	4	A2356	DB96-22966A	ASSY TUBE EVAP-OUT; AC120MNMDKH/EU,ASSY	SNA	1
23-3-2-1	5		DB60-30010D	FASTENER-NUT FLARE; -,BRASS,-,-,-,-,-,-,-	SA	1
24	3	H0231	DB61-06904A	HOLDER-HOSE; CAC MAX 4,PVC,T3.5,D32.43,BL	SA	1
25	2		DB90-11882U	ASSY CASE PCB; AC018DNHDCG/AA,Global duct	SA	1
25-1	3		4709-003260	W-LAN MODULE; CCAR210R,SDA8700CSM,IEEE802	SA	1
25-2	3	C0187	DB61-07592A	CASE-BOTTOM; Wi-Fi,ABS,T1.5,L66,DA WHITE,	SA	1
25-3	3	C0429	DB61-07593A	CASE-TOP; Wi-Fi,ABS,T1.5,L66,DA WHITE,HG-	SA	1
25-4	3		DB93-17392E	ASSY CONNECTOR WIRE-DC SIGNAL; 5,2095,26,	SA	1