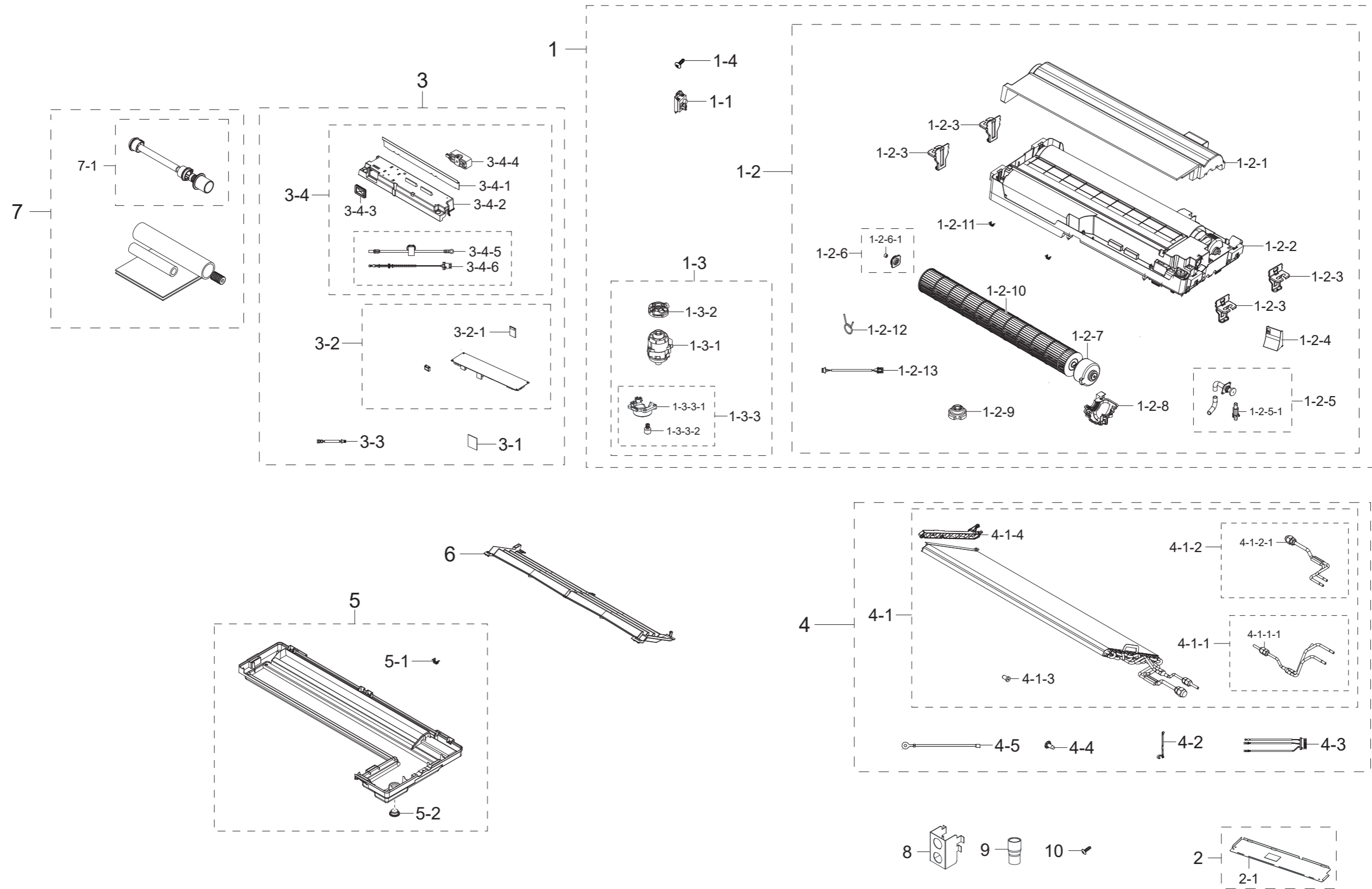


■ AC012DN1DCG/AA



Service Bom (SA: SERVICE AVAILABLE, SNA: SERVICE NOT AVAILABLE)

No.	Material Code	Part Name	Spec	Qty.	SA/SNA
1	DB90-13569G	ASSY CABI IN	AM028DN1DKG/EU,JSF1,R32	1	SA
1-1	DB32-00309A	SENSOR-GAS	5V,-,mm,6pin,Detection,Digital,R32 GAS Sensor	1	SA
1-2	DB94-05820J	ASSY BACK BODY	AM028DN1DKG/EU,R32	1	SNA
1-2-1	DB64-01764A	SEAL CUSHION-CABI	-,EPS,-,T7,W310,L835,-,-,-,S-450,-,-,-	1	SNA
1-2-2	DB64-01763B	CABINET-IN	AIXCSH040B1,HIPS,T2.5,BLACK,-,S834S1	1	SA
1-2-3	DB61-07817A	PLATE-HANGER	AC052BN1DBC1,GI-SGCC,T1.2,-,-,-	4	SA
1-2-4	DB61-05077B	CASE-SPI NONE	DVM,HIPS,T2,L76.5,BLACK,CNTK H304,JSF-1	1	SA
1-2-5	DB94-01546A	ASSY-DRAIN SOCKET	R410a,AVXCSH040B2,SLIM1WAY-CST	1	SA
1-2-5-1	DB62-04236A	VALVE CHECK	PPO,BLACK,1-1,8	1	SA
1-2-6	DB94-00258A	ASSY BEARING	G-PJT,CR,BLK	1	SA
1-2-6-1	DB73-00128A	RUBBER-BEARING	G-P/J,CHLOROPRENE RUBBER,D39,42x42x17.5mm,T17.5,-,BLACK,-	1	SNA
1-2-7	DB31-00636G	MOTOR BLDC FAN	DB31-00636G,1500rpm,310V,0.4A,27W	1	SA
1-2-8	DB63-01698A	COVER MOTOR	AIXCSH040B1,PP+TD30%,T2,NATURAL,FC2305,SLIM1WAY-CST	1	SA
1-2-9	DB73-00522A	RUBBER BRACKET	NBR,BLACK	1	SA
1-2-10	DB94-00040Y	ASSY FAN CROSS	AIXCSH040B1,SLIM1WAY CST	1	SA
1-2-11	DB61-03127A	BRACKET-PAN	-,GI-SGCC,T1,-,-,-,-,-,-,-,-	2	SA
1-2-12	DB69-00137A	SPRING ETC	-,STS304,PI14,-,-,-,-,T1.5,-,-,-	1	SA
1-2-13	DB93-18060B	ASSY CONNECTOR WIRE-DC SIGNAL	4,2095,24,BLK,SMH200-H04H3/RED,PARP-06V/WHT,-,700,-,-,-,-,PBA-SENSOR,24K_DVM_AM7500K,R32,-	1	SA
1-3	DB94-04697A	ASSY DRAIN PUMP	AM020FN1DBH1	1	SNA
1-3-1	DB67-01166B	PUMP DRAIN	400cc/min,-,1200mm,UL224,L425	1	SA
1-3-2	DB73-00391D	RUBBER-CAP PUMP	AIXCSC032B1,EPDM,-,-,BLACK,-	1	SA
1-3-3	DB90-03144B	ASSY COVER-PUMP	AM036FN1DEH/EU,NASA DVM SLIM1WAY	1	SA
1-3-3-1	DB63-01699A	COVER-PUMP	AIXCSH040B1,ABS,T2,-,NATURAL,-,HG-0760CC,SLIM1WAY-CST	1	SA
1-3-3-2	DB95-01359D	SWITCH FLOAT	43mm,8.5mm,250mm,SMH250-02L(BLK),SMH-250J-02RT,YST-025L3	1	SA
1-4	6002-000481	SCREW-TAPPING	SWRCH18A,NI PLT,L12,M4,TH,+,-,NO,2S,ZnNi + TOP Coating	1	SA
2	DB90-10905A	ASSY COVER CONTROL	AJ040MB1PBC1	1	SA
2-1	DB70-00754A	PLATE-COVER CONTROL	AIXCSH040B1,GI-SGCC,T0.5,W97.6,L428.1,SLIM1WAY-CST	1	SA
3	DB92-04625B	ASSY PBA KIT-IN MODULE	INDOOR,CAC R32,CAC_JS F1_BLDC_MAIN KIT,Standard	1	SNA
3-1	DB92-02793A	ASSY FUNCTION	COMM,DVM NASA_CST,Standard	1	SA
3-2	DB92-05685B	ASSY PCB MAIN-IN	SW,INDOOR,AC5000B,260*70,220~240V,15V,12V,5V,30W,CST_WiFi_PLFree_TP1x,Y,SMPS,Standard	1	SA
3-2-1	DB92-04020A	ASSY PCB SUB	HW,SUB,20*25,Indoor EEPROM,N,Standard	1	SA
3-3	DB93-14037A	ASSY CONNECTOR WIRE-DC SIGNAL	10,2095,26,BLU,SMH200-H10H3/WHT,SMH200-H05PR/WHT,SMH200-H05PR/BLK,100,-,-,-,-,PBA-LOUVER,NASA,ND0721HXB1,NASA,JSF2 LOUV	1	SA
3-4	DB93-13968C	ASSY CONTROL IN	AJ040MB1PBC1	1	SNA
3-4-1	DB61-05699A	PLATE-CASE SUB	ADN0401DBHB1,EGI-SECC,T0.5,W261,W33,SLIM1WAY CST	1	SA
3-4-2	DB61-05696A	CASE CONTROL-IN	AM036FN1DEH/EU,ABS,T2.5,L428.8,NATURAL,VE-0858,DVM NASA	1	SA
3-4-3	DB73-00307B	RUBBER-WIRE HOLE	ADX100VAGHA/SC,CHLOROPRENE RUBBER,T52.1,BLACK,V0	1	SA
3-4-4	DB61-00250A	HOLDER-WIRE CLAMP	AF25M9970DBX,PA66,-,BLACK,-,V-0,A 50H1	1	SA
3-4-5	DB93-11254A	ASSY CONNECTOR WIRE-EARTH	1,1015,18,YEL/GRN,YDH236-01W/WHT,ST710095-3,-,-,-,-,TR19-13-11/G8A,2,PBA-T/B,NS1404PXEA,STD	1	SA
3-4-6	DB95-05009B	ASSY THERMISTOR	SMH250--02L/WHT,L130,10kohm,3%,25C,Molding	1	SA
4	DB96-19943A	ASSY EVAP PARTS	AC023HB1DBH1	1	SA
4-1	DB96-09066B	ASSY EVAP-MODULE	AC023HB1DBH1	1	SA
4-1-1	DB96-07565B	ASSY TUBE EVAP IN	AC023HB1DBH1	1	SNA
4-1-1-1	DB60-30010A	FASTENER-NUT FLARE	-,BRASS,-,-,-,1/4"	1	SA
4-1-2	DB96-07566B	ASSY TUBE EVAP OUT	SH035EAV,Galaxy1	1	SNA
4-1-2-1	DB60-30010B	FASTENER-NUT FLARE	AR12RV3HEWKXNA,BRASS,-,-,-,-	1	SA

Service Bom (SA: SERVICE AVAILABLE, SNA: SERVICE NOT AVAILABLE)

No.	Material Code	Part Name	Spec	Qty.	SA/SNA
4-1-3	DB63-00014A	PLUG-RUBBER	ASK09/12A2VE,NBR OR SILICON,-,7.4,CKD/SKD	1	SNA
4-1-4	DB61-08350A	HOLDER EVAP	1way,PP+TD30%,T2,BLACK,-,-,RT43BK,-	1	SA
4-2	DB81-00635A	SPRING ETC-SENSOR	DVM-SYSTEM,STS304,ID2.5,OD4.5,L44,T0.3,-,W2,NONE,-,-,-	2	SA
4-3	DB95-05011D	ASSY THERMISTOR IN	SMH200-H06H3,L400,10kohm,3%,25C,6phi	1	SA
4-4	6003-001933	SCREW-TATYPE	SWRCH18A,NI PLT,L10,M4,TH,+,WT,S,BLK	1	SA
4-5	DB93-17152A	ASSY CONNECTOR WIRE-EARTH	1,1015,12,YEL/GRN,ST710246-2,L5.5-5,-,500,-,-,-,PLATE-C/BOX,AC110RN4FBH1PP	1	SA
5	DB94-07211A	ASSY TRAY DRAIN	JSF1	1	SA
5-1	DB61-03127A	BRACKET-PAN	-,GI-SGCC,T1,-,-,-,-,-,-,-,-,-	4	SA
5-2	DB73-00133B	RUBBER-CAP DRAIN SOCKET	EPDM	1	SA
6	DB94-01492C	ASSY DRAIN PAN-SUB	NJ0401VXN1,JSF PJT	1	SA
7	DB94-01904B	ASSY DRAIN-HOSE INSTALL	-,,-,-,-,-,AVXCSH022EE,ENGLISH	1	SA
7-1	DB94-01258C	ASSY HOSE DRAIN-JOINT	-,,-,280,N,R22,-,AFSCC128B10,CASSETTE	1	SA
8	DB61-04340A	BRACKET-BUSHING	AVXCSH023CE,GI-SGCC,T1,W40,L64,USA	1	SA
9	DB61-06904A	HOLDER-HOSE	CAC MAX 4,PVC,T3.5,D32.43,BLACK,-,V-0,-	1	SA
10	6002-000481	SCREW-TAPPING	SWRCH18A,NI PLT,L12,M4,TH,+,NO,2S,ZnNi + TOP Coating	1	SA