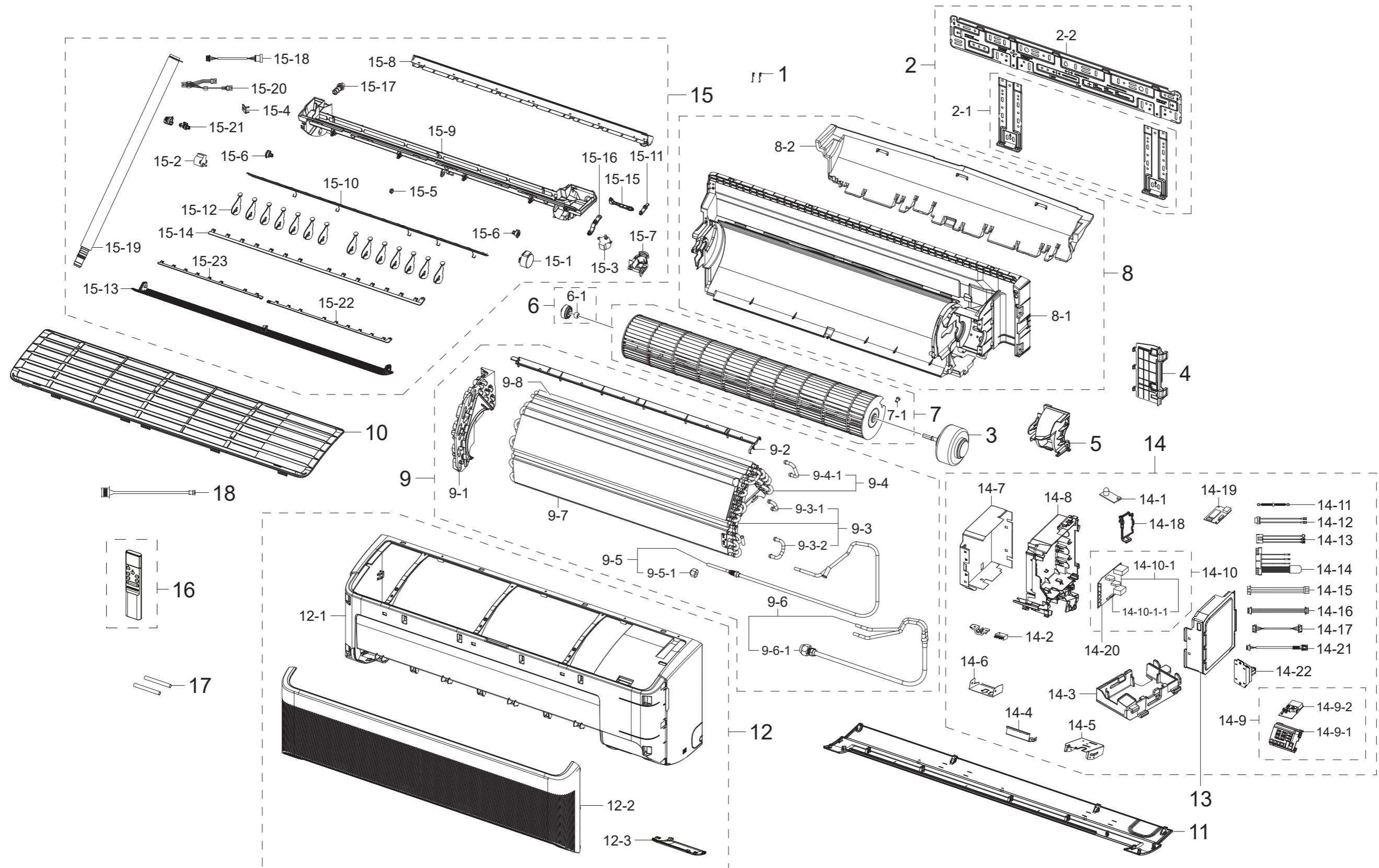


Exploded Views and Parts List

■ AJ007DNADCG/AA



Service Bom (SA: SERVICE AVAILABLE, SNA: SERVICE NOT AVAILABLE)

No.	Parts Code	Parts Description	Spec.	Qty	SA/SNA
1	DB67-60030A	SPRING-SENSOR	WW2-PJT,STS301,0.4mm,T0.4,NONE,W2.7	2	SA
2	DB90-11453B	ASSY HANGER	AR9500T,QMD RAC1,2	1	SA
3	DB31-00636A	MOTOR BLDC FAN	RD-310-25-8A(AL),1500rpm,310V,1A,27W,8Pole,CCW	1	SA
4	DB61-07413B	HOLDER-PIPE	RAC QMD,PP,T2,D,BLACK,-,-,P-001S	1	SA
5	DB63-04215B	COVER MOTOR	PP+TD30%,T1.8,HB,BLACK,-,SSPP-T30	1	SA
6	DB94-00455B	ASSY-RUBBER BEARING	AR18MCSUDMCNNA,ASSY	1	SC
6-1	DB94-40007B	ASSY BEARING	G1-PJT,SSEC	1	SC
7	DB94-02933B	ASSY FAN CROSS	QMD RAC1,PI106.5 , L596mm	1	SA
8	DB94-07968B	ASSY BACK BODY	AR9500T,QMD RAC1, CV	1	SA
9	DB96-24831N	ASSY EVAP-MODULE	S1-5, AUS/NA/NORDIC,2R14(16)S, L591, HYDROPHIL	1	SA
9-5-1	DB60-30010A	FASTENER-NUT FLARE	-,BRASS,-,-,1/4"	1	SA
9-7	DB96-24830J	ASSY EVAP-MAIN	S1-5, MAIN,2R9(10)S, L591, HYDROPHILE	1	SNA
9-8	DB96-24833D	ASSY EVAP-SUB	S1-5, SUB,2R5(6)S, L591, HYDROPHILE	1	SNA
10	DB63-04207B	FILTER AIR-PRE MODULE	AR9500T, QMD RAC1,HIPS,DA WHITE,WHITE, Non-Ze	1	SA
11	DB90-13411C	ASSY COVER-PANEL	QF1,DB68-08928A	1	SA
12	DB92-05461J	ASSY PANEL FRONT	GEO,QMD RAC1,WIND-FREE,White Display, No Printing	1	SA
12-1	DB64-03460A	PANEL FRONT	AR9500T, QMD RAC1, WIND-FREE,HIPS,XQ83180,DA	1	SA
12-2	DB64-03470A	GRILLE INLET	WIND-FREE,MB AR9500T, QMD RAC1,,HIPS,T3,DA WHITE	1	SA
12-3	DB93-17180S	ASSY DISPLAY	WHITE DISPLAY,No Hole,1Coat, No Printing	1	SA
13	DB61-07430A	PLATE CONTROL-RIGHT	AR9500T,G1-SGCC,T0.3	1	SA
14	DB92-05861A	ASSY PBA KIT-IN	SW,INDOOR,FJM QMD RAC,FJM_R32_QMD RAC_Wi-Fi_PL Free,Standard	1	SNA
14-2	DB37-00033B	TERMINAL BLOCK	4P,MELAMINE,300V,25A,47X36.4X22mm,D4,NO,L1,	1	SA
14-8	DB61-07432D	CASE CONTROL-IN	AR9500T,ABS,-,L260,BLACK,-,VE-0858,Dfa	1	SA
14-9	DB92-05761A	ASSY PCB DISPLAY	DISPLAY_DLX_TP1X,AM7500K, WHT,50x84.5mm,88,AI,TIMER,WI-FI, R32,N,Standard	1	SA
14-9-1	DB61-07899A	CASE-LED	AR9500T,HIPS,T1.8,L89.8,BLACK,-,HIPS 3315,-	1	SA
14-9-2	DB94-10372A	ASSY PCB SMD	DISPLAY_DLX_TP1X,AM7500K, WHT,50x84.5mm,88,AI,TIMER,WI-FI, R32,DB92-05761A	1	SNA
14-10	DB92-05772C	ASSY PCB MAIN-IN	SW,MAIN,25T_FJM_AJ5000D,142x120mm,220V-240V,5V/12V/15V,27W,FJM_R32_QMD RAC_Wi-Fi_PL Free,Y,SMPS,Standard	1	SA
14-11	DB93-14245D	ASSY CONNECTOR WIRE-EARTH	1,1015,16,YEL/GRN,ST710095-3,ST710095-3,-,380,-,-,	1	SA
14-12	DB93-17055B	ASSY CONNECTOR WIRE-COMM	2,1007,22,RED,SMH250-03L/RED,179973-1,-,270,PVC	1	SA
14-13	DB93-17169A	ASSY CONNECTOR WIRE-POWER	3,1015,18,BRN,YH396-05VR/BLU,175022-1,ST710095-	1	SA
14-14	DB32-00272B	SENSOR TEMP	L400,10kohm,3%,25C,Molding,AC,HUMIDITY, 28P, SYSTEM	1	SA
14-17	DB93-17178A	ASSY CONNECTOR WIRE-DC SIGNAL	14,2095,26,RED,SMH200-H14H3/WHT,SMH200-H14H	1	SA
14-20	DB92-04020A	ASSY PCB SUB	HW,SUB,20*25,Indoor EEPROM,N,Standard	1	SA
14-21	DB93-18060G	ASSY CONNECTOR WIRE-DC SIGNAL	4,2095,24,BLK,SMH200-H04H3/RED,PARP-06V/WHT,-,300,-,-,-,PBA-SENSOR,24T_DVM_AM7500K,R32,-	1	SA
14-22	DB32-00309A	SENSOR-GAS	5V,-,mm,6pin,Detection,Digital,R32 GAS Sensor	1	SA
15	DB94-07995B	ASSY TRAY DRAIN-MODULE	DA WHITE,QMD RAC1,HP,WIND FREE	1	SA
15-1	DB31-00371C	MOTOR STEP	-,DC12V,650gf.cm,E CLASS,5.625deg,1/64	1	SA
15-2	DB31-00371A	MOTOR STEP	-,DC12V,650gf.cm,E CLASS,1W,5.625deg,1/64	1	SC
15-3	DB31-00695A	MOTOR STEP 2P	STEP MOTOR,DC 12V,650gf.cm,E CLASS,1W,5.625de	1	SA
15-4	DB61-06989A	HOLDER WIRE	F11-RAC,HIPS,-,W16.5,L17,BLACK,-,-,HIPS 3315,MOT	1	SA
15-5	DB61-07418A	HINGE BLADE-A	AR9500,POM,T0.7,NATURAL,W10.1,LW301,-,-	1	SA
15-6	DB61-07419A	HINGE BLADE-B	AR9500,POM,T0.7,NATURAL,W16.1,LW301,-,-	2	SA
15-7	DB61-07440A	CASE MOTOR	QMD RAC,HIPS,T2,L53.2,BLACK,-,HIPS 3315,CASE STE	1	SA
15-10	DB63-04248A	GUARD-SCREEN	AR9500T,MSWR,T1,BLACK,QMD1,L592.9	1	SA
15-11	DB66-01727A	LINK BLADE-C	A3050, F-RAC-04,POM,NATURAL,-,LW301	1	SA
15-12	DB66-02038A	BLADE V	AR9500,PP,T1.6,BLACK,QMD RAC_NO WIND(AUTO)	12	SA
15-13	DB66-02044A	BLADE H	AR9500,ABS,T3.3,DA WHITE,-,SR-0320K,QMD RAC1_	1	SA
15-14	DB66-02045A	LINK BLADE-A	AR9500,POM,L513.1,T2.5,BLACK,QMD RAC1	1	SA

Service Bom (SA: SERVICE AVAILABLE, SNA: SERVICE NOT AVAILABLE)

No.	Parts Code	Parts Description	Spec.	Qty	SA/SNA
15-15	DB66-02048A	LINK BLADE-B	AR9500,POM,L63.9,T2.2,BLACK,QMD RAC3	1	SA
15-16	DB66-02049A	LINK BLADE-D	AR9500,POM,L591,T2.2,BLACK,-,LW301,QMD RAC	1	SA
15-17	DB73-00180A	RUBBER-CAP DRAIN	SS-PJT,EPDM,T3,-,PM GRAY,-,L 40,-	1	SA
15-18	DB93-17189A	ASSY CONNECTOR WIRE	5,2095,26,RED,SMH200-H05H3/BLK,25045HP-05A/W	1	SA
15-19	DB94-02195B	ASSY DRAIN-HOSE	ALL,HOSE DRAIN L550mm	1	SA
16	DB96-25924N	ASSY WIRELESS REMOCON	24. RAC,RS-9,ENGLISH,16.5*27.2,°C/°F,RAC,Heat Pump,SAMSUNG	1	SA
17	DB81-01328A	INSULATION	PO,T0.5,W8,L70,-,BLACK,-,-	2	SA
18	DB93-17171A	ASSY CONNECTOR WIRE-DC SIGNAL	2,2095,26,RED,SMH200-H14PR/WHT,25045HP-02A/W	1	SA