

SAMSUNG

Submittal Data

MRS-H32U

R32 Leak Detector Accessory for Duct S Models

Job name: _____

Purchaser: _____

Submitted to: _____

Unit designation: _____

Location: _____

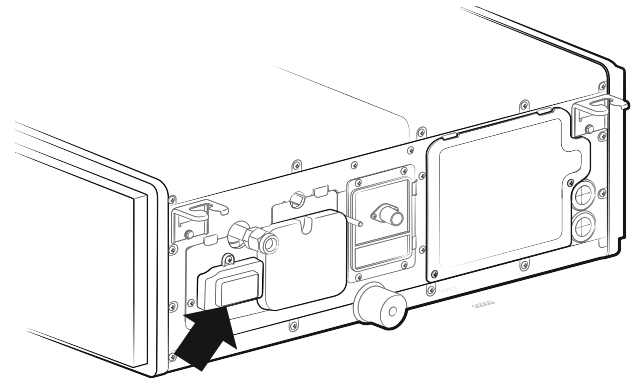
Engineer: _____

Reference Approval Construction

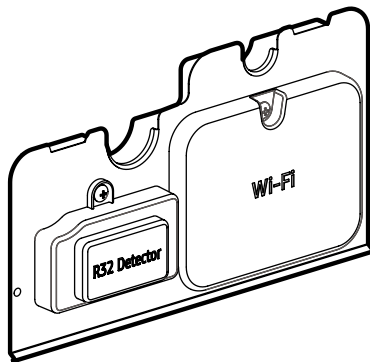
Schedule #: _____

General Information

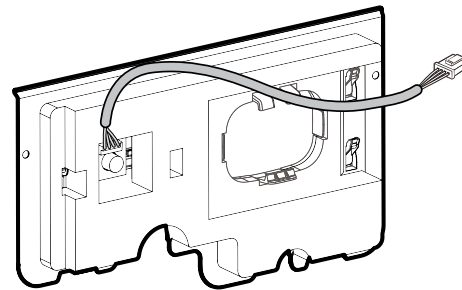
- Accessory R32 leak detector for CAC and FJM R32 Duct S units.
 - CAC models: AC0**DNHDCG/AA
 - FJM models: AJ0**DNHDCG/AA
- When a leak is detected, the indoor unit will activate leak mitigation sequence of operations.
- Installs on the side of the ducted unit and plugs into the indoor unit control PCB (the indoor unit must be configured to for the leak detector to be enabled).



Front



Back



Samsung HVAC maintains a policy of ongoing development. Specifications are subject to change without notice.