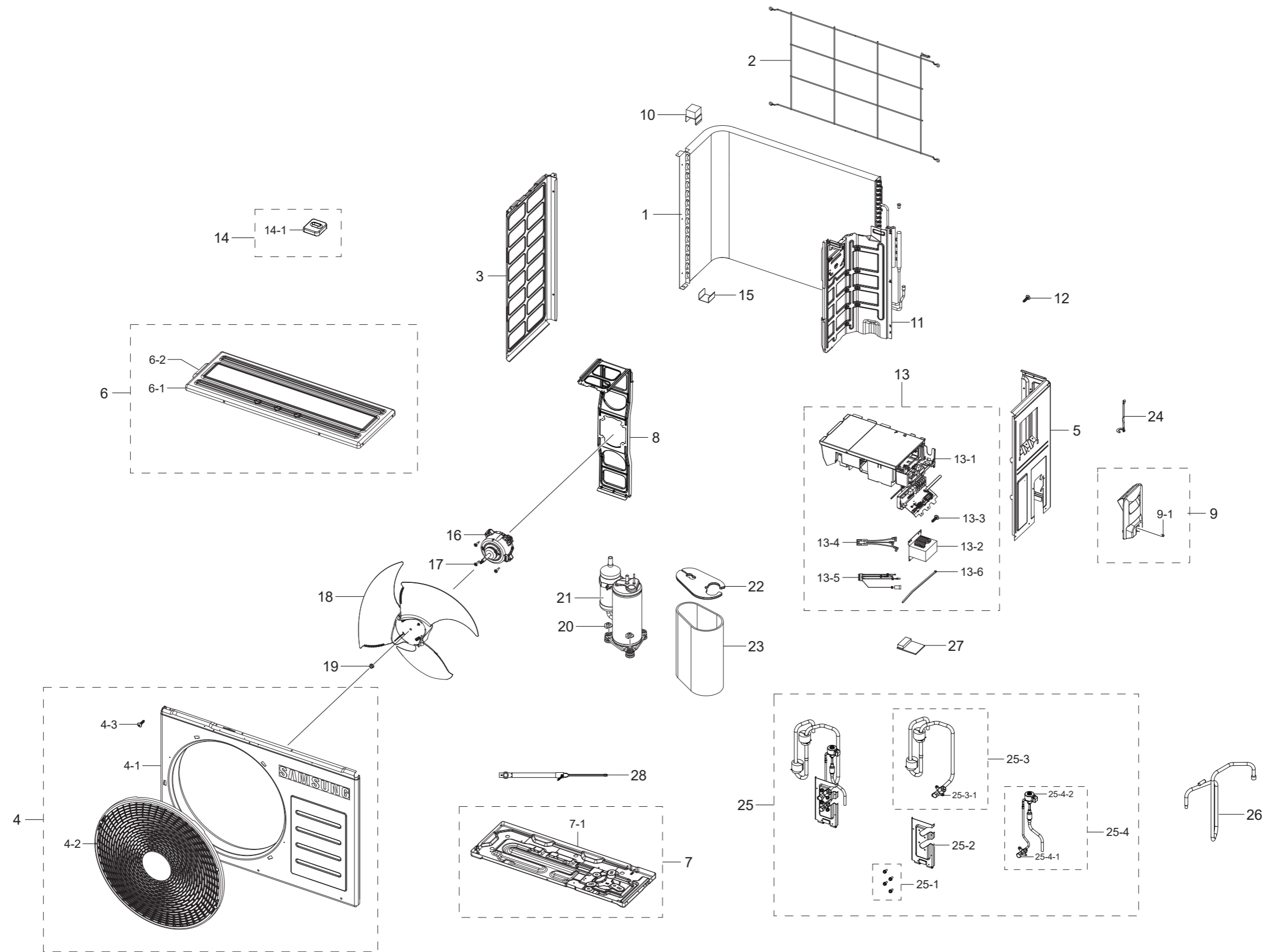


Exploded Views and Parts List

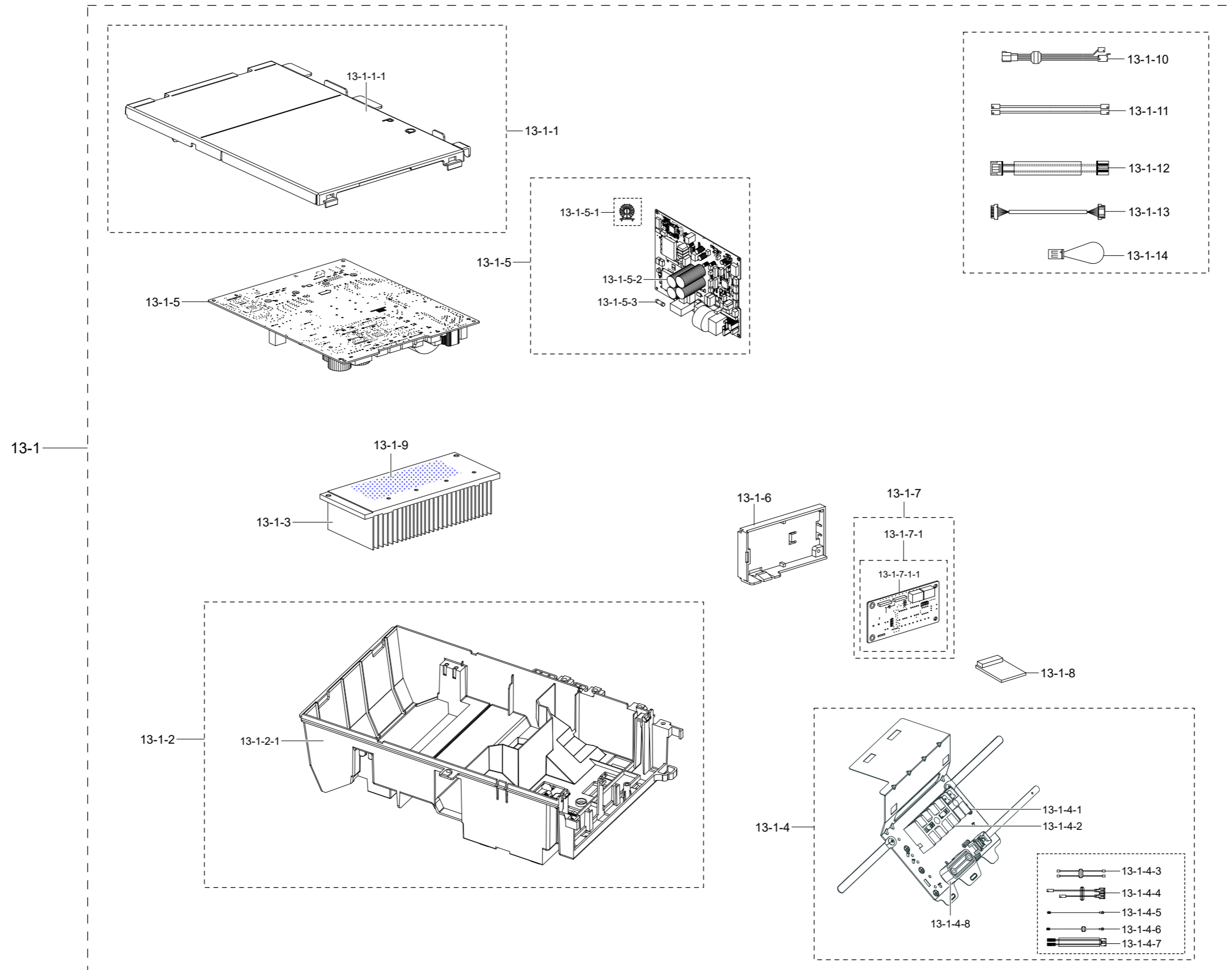
■ AC018DXSCCF/AA



Parts List

No.	Material	Description	Specification	QTY	SA/SNA
1	DB96-26569A	ASSY COND-MODULE	N-Q, 2-1,Hydrophile,R82.5	1	SA
2	DB63-02471C	GUARD COND	Q480,MSWR,T2.5,EARTH BROWN,-,-	1	SA
3	DB64-03341C	CABINET SIDE-LF	Q480,GI-SGCC,T0.8,-,-,-	1	SA
4	DB90-10972A	ASSY CABI FRONT	NEW Q,F&T	1	SA
4-1	DB64-03239B	CABINET FRONT	Q chassis,GI-SGCC,T0.8	1	SNA
4-2	DB63-03744D	GUARD FAN	Q480,PP+TD20%,T2.5,EARTH BROWN,-,TB52U	1	SA
4-3	6002-000481	SCREW-TAPPING	TH,+,NO,2S,M4.0,L12,NI PLT	1	SA
5	DB90-12751A	ASSY CABI SIDE-RH	Q480 (CV)	1	SA
6	DB90-05549L	ASSY COVER	NEW Q,FOAM-PE	1	SA
6-1	DB63-02368C	CABINET TOP	Q CHASSIS,GI-SGCC,T0.8,W310,L880,D,-,-,-,-,100%,-	1	SNA
6-2	DB64-00967B	HANDLE-OUTDOOR	FAC,PP,T3,W24.8,L110,MT62	1	SA
7	DB90-10979B	ASSY BASE OUT	NEW Q,F&T	1	SA
7-1	DB61-07011A	BASE-OUT	Q480_RAC,SGMCC,T1	1	SNA
8	DB90-10971B	ASSY BRACKET MOTOR	NEW Q,SEAL	1	SA
9	DB90-06410C	ASSY COVER-VALVE	F-XS-04,COVER+PLATE	1	SA
10	DB90-02316B	ASSY HOLDER-PLATE COND	AS18BPAX,WB BLDC	1	SNA
11	DB94-07223G	ASSY PARTITION	NEW Q,FOR PF3,LABEL,R-32	1	SA
12	6002-000481	SCREW-TAPPING	TH,+,NO,2S,M4.0,L12,NI PLT	31	SA
13	DB93-17967A	ASSY CONTROL OUT PARTS	AC024DXADKF/VN	1	SNA
13-1	DB92-05713A	ASSY PBA KIT-OUT	OUTDOOR,AC5000B_P508,CAC_17S PF3_PL Free, Standard	1	SNA
14	DB97-02096B	ASSY ACCESSORY	CO,SH07(09)APG,G1-PJT	1	SNA
14-1	DB73-00179A	RUBBER-LEG	G-PJT,NR,50	4	SA
15	DB61-00533A	HOLDER-CLAMP COND	RVXMHF050GA,GI-SGCC,T0	2	SNA
16	DB31-00683A	MOTOR BLDC FAN	DB31-00579,830,310V,125W	1	SA
17	DB60-00150A	SCREW-SPECIAL	HWH,M4,L26,ZPC(WHT),SWRCH1	4	SA
18	DB94-06687A	ASSY FAN PROPELLER	AC071MXADKH/EU,ASSY	1	SA
19	DB60-00405A	FASTENER-WASHER	RC100ZHxEA,SWRCH10A,M8	1	SA
20	DB60-30028A	NUT-FLANGE	HWH,M8,ZPC(WHT),SWRCH18A,P1.2	3	SA
21	UG9TK3150FE4SG	RCP,COMP,RCP,F,R410A	RCP,COMP,RCP,F,R410A	1	-
22	DB63-02460J	FELT-COMP OUT	RAC,EVAR/FELT,T6.6,W345,L680	1	SNA
23	DB63-02868E	FELT-COMP SIDE	CAC,EVAR/FELT,T6.6,BLACK,HBF,-,-,COMP HEATER	1	SNA
24	DB63-02883C	FELT-COMP TOP IN	RAC,EVAR/FELT,T6.6,-,HBF,-,-	1	SA
25	DB81-00635A	SPRING ETC-SENSOR	DVM-SYSTEM,STS304,R2.5	2	SA
26	DB96-26972A	ASSY TUBE SERVICE-BRACKET	UB9TA8150FEQ, C/O, EEV1.4mm	1	SNA
27-1	6011-007313	BOLT-HEX	M6,L16,NI PLT,HH,SWRCH18A,Top Coating	4	SNA
27-2	DB61-04136C	BRACKET VALVE	Q,P CHASSIS,SGMCC,T1.6,W105.8,-,-,-,Cover Valve	1	SA
27-3	DB96-26622C	ASSY TUBE EEV	C/O, 4.6MPa, 1.4mm	1	SA
27-3-1	DB62-09652C	VALVE SERVICE-SPINDLE	BRASS,4.6MPa,R410A,6.35mm	1	SA
27-4	DB62-11418C	VALVE EXPAN	STS304,4.6MPa,1.4mm,500	1	SA
27-4-1	DB62-11421B	VALVE COIL EXPAN	DC12V,COIL,500mm,MOLDING,T-type	1	SA
27-4-2	DB96-26971A	ASSY TUBE SUCTION	UB9TA8150FEQ, C/O, GAS 1/2"	1	SA
26	DB96-26970A	ASSY TUBE DISCHARGE	AC018DXSCCF/AA,UB9TA8150FEQ, C/O	1	SA
27	DB82-08613A	SVC ASSY EEPROM-OUT	-,-,AC018DXSCCF, AA,Q, UB9TA8150FEQ, PF3_17S,-	1	SA
28	DB27-00100A	COIL HARMONIC	5mH,86.0x94.5xTmm,20A,-	1	SA
29	6002-000481	SCREW-TAPPING	TH,+,NO,2S,M4.0,L12,NI PLT	4	SA
30	DB93-11274C	ASSY CONNECTOR WIRE- COMP OUT	3,3343,14,R	1	SA
31	DB95-05268C	SENSOR TEMP	L450,10kohm,3%,25C,Molding,AC,N-SI	1	SA
32	DB47-00073F	HEATER COMP	AC230V,20W,-,360,L700,-,YH396-03VR (RED),SILICONE	1	SA

■ ASSY PBA KIT-OUT MODULE



■ Parts List

No.	Material Code	Description	Specification	QTY	SA/SNA
13-1	DB92-05713A	ASSY PBA KIT-OUT	OUTDOOR,AC5000B_P508,CAC_17S PF3_PL Free, Standard	1	SNA
13-1-1	DB63-02817C	COVER CONTROL	CAC Q-480 MODEL,HIPS,T2.3,W343.3,L2071,D,-,-,BLACK,-,STYRON 6300,0%,-	1	SA
13-1-2	DB61-07236C	CASE CONTROL-OUT	CAC Q-480 MODEL,HIPS,T2,L375.4,BLACK,-,STYRON 6300	1	SA
13-1-3	DB62-12477A	HEAT SINK	INV PF3,Al,T5,W195,L95,SILVER,	1	SA
13-1-4	DB65-00274A	TERMINAL BLOCK	TERMINAL BLOCK,Polycarbon	1	SA
13-1-5	DB37-00033D	TERMINAL BLOCK	DAF-4P-M,MELAMINE,300V,25	1	SA
13-1-6	DB93-05434G	ASSY CONNECTOR WIRE-SN	2,1015,18,BRN,ST7	1	SA
13-1-7	DB93-16973A	ASSY CONNECTOR WIRE-POWER	2,1015,14,BRN,	1	SA
13-1-8	DB93-10906B	ASSY CONNECTOR WIRE-EARTH	1,1015,18,YEL/	1	SA
13-1-9	DB93-10906A	ASSY CONNECTOR WIRE-EARTH	1,1015,18,YEL/	1	SA
13-1-10	DB93-16402A	ASSY CONNECTOR WIRE-COMM	2,1007,22,RED,Y	1	SA
13-1-11	DB61-00250A	HOLDER-WIRE CLAMP	AF25M9970DBX,PA66,BLAC	1	SA
13-1-12	DB92-05668B	ASSY PCB INVERTER	HW,INVERTER,CAC/FJM,160x242,220V-240V,5V/12V/15V, 17S_PF3_PL Free,Y,SMPS,Standard	1	SA
13-1-12-1	DB27-00078A	COIL CHOKE	12mH,20A,28.5x21,Mn-Zn,4,DIP	1	SA
13-1-12-2	2401-006185	C-AL	390uF,20%,400V,WT,BK,25.4x60mm,10mm	4	SA
13-1-12-3	3601-001652	FUSE-AXIAL LEAD	250V,30A,TIME-LAG,CERAMI	1	SA
13-1-13	DB61-07235A	CASE PCB	NEW #3 CONTROLLER,ABS,T2,L185.3	1	SA
13-1-14	DB92-05165A	ASSY PCB MAIN-OUT	SML_MAIN_ABOV,CAC_AC5000B,180x80mm,-,-,-,N, Standard	1	SA
13-1-14-1	DB94-08744A	ASSY PCB AUTO-OUT	SML_MAIN_ABOV,CAC_AC5000B,180x80mm, DB92-05165A	1	SNA
13-1-14-1-1	DB94-08746A	ASSY PCB SMD-OUT	SML_MAIN_ABOV,CAC_AC5000B,180x80mm, DB92-05165A	1	SNA
13-1-15	DB93-12483A	ASSY PCB SUB-EEPROM	SUB,DVMPPLUS4 UP,20*2	1	SA
13-1-16	0205-000178	GREASE-SILICON	YG6111,WHITE, for assembl	0.005	SA
13-1-17	DB93-10905B	ASSY CONNECTOR WIRE-COMP	3,1015,14,RED,M	1	SA
13-1-18	DB93-17175A	ASSY CONNECTOR WIRE-REACTOR	2,1015,16,WHT,MG630591R/WHT,MG633976K/WHT,-,370,-,-,-,PBA-REACTOR,QMD RAC AR9500T,-	1	SA
13-1-19	DB93-16974A	ASSY CONNECTOR WIRE-POWER	2,1015,18,BRN,	1	SA
13-1-20	DB93-17033A	ASSY CONNECTOR WIRE-DC SIGNAL	8,2095,26,	1	SA
13-1-21	DB93-17517A	ASSY CONNECTOR WIRE-HIGH PRESSURE POWER	1,1015,22,WHT,YH396-02VR/WHT,-,-,50,-,-,-, 22S_PMA_AJF600E,HIGH PRES- SURE JUMP	1	SA
13-1-22	DB65-10088D	CABLE TIE	NYLON66,NTR,W2.4,L100	1	SA