

FFQ**Q2VJU Ceiling Mounted Indoor Unit

FFQ09Q2VJU
FFQ12Q2VJU
FFQ15Q2VJU
FFQ18Q2VJU



This manual is to be used by qualified technicians only.

This manual replaces RP-D6312.

© 2016 - 2017 **DAIKIN NORTH AMERICA LLC** ♦ 5151 San Felipe St., Suite 500 ♦ Houston, TX 77056

Important Information

Index

Functional Parts List	3
Illustration and Parts	4 - 5

Views shown are for parts illustrations only, not servicing procedures

Revision A: added 18k BTU model

Text Codes:

AR - As Required

NA - Not Available

NS - Not Shown

00000000 - See Note

QTY - Quantity Example (QTY 3) (If Quantity not shown, Quantity = 1)

M - Model Example (M1) (If M Code not shown, then part is used on all Models)

Expanded Model Nomenclature:

Example M1 - Model#1 M2 - Model#2 M3 - Model#3

Daikin North America, LLC is not responsible for personal injury or property damage resulting from improper service. Review all service information before beginning repairs.

Warranty service must be performed by an authorized technician, using authorized factory parts. If service is required after the warranty expires, Daikin North America, LLC also recommends contacting an authorized technician and using authorized factory parts.

Daikin North America, LLC reserves the right to discontinue, or change at any time, specifications or designs without notice or without incurring obligations.

For assistance within the U.S.A. contact:

Homeowner Support
Daikin North America, LLC
19001 Kermier Road
Waller, Texas 77484
855-770-5678-Telephone
713-863-2382-Facsimile

For assistance outside the U.S.A. contact:

International Division
Daikin North America, LLC
19001 Kermier Road
Waller, Texas 77484
713-861-2500-Telephone
713-863-2382-Facsimile

Functional Parts

Part

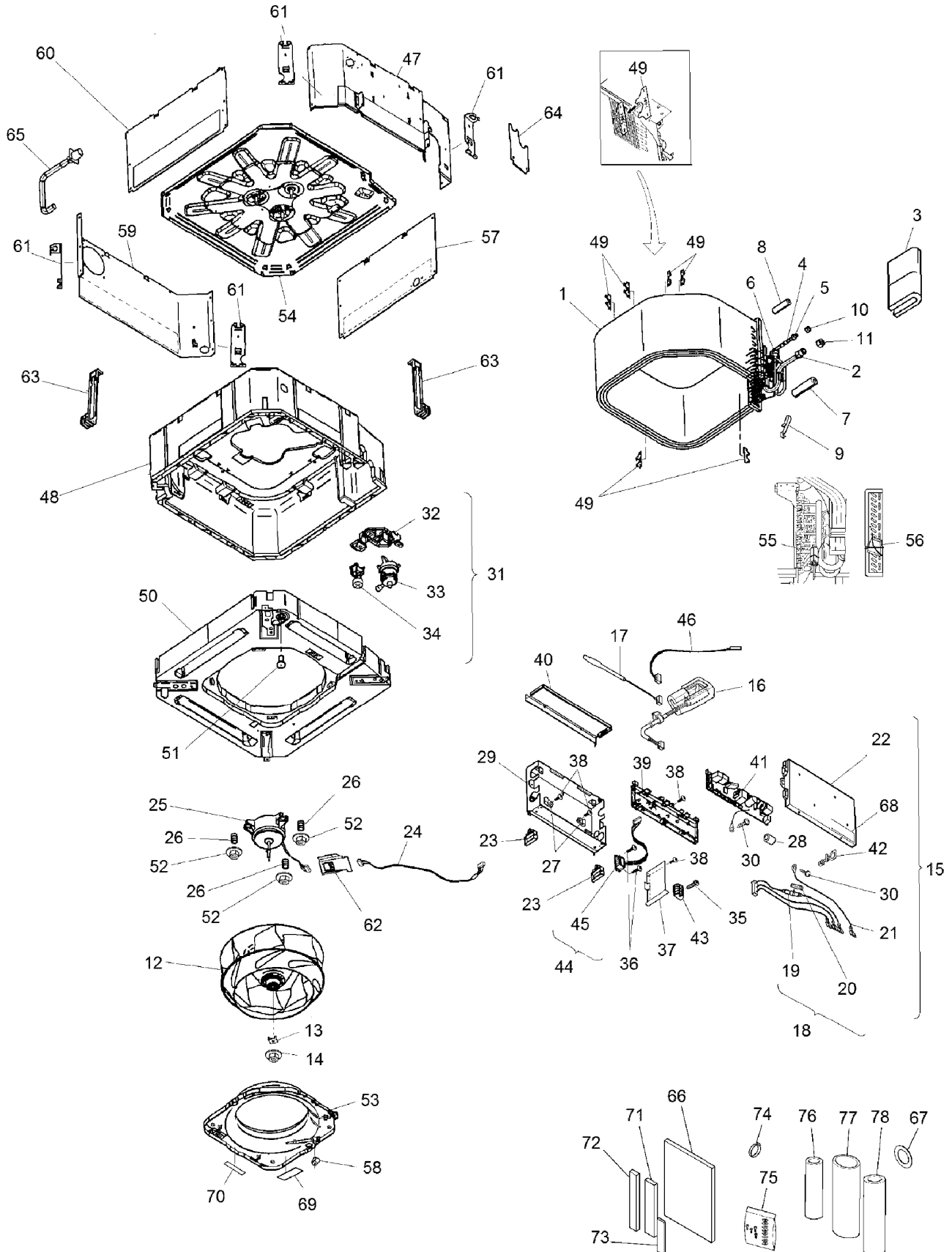
No: Description:

065336J	CAPACITY SETTING ADAPTOR (M4)
066964J	CAPACITY SETTING ADAPTOR (M1)
065331J	CAPACITY SETTING ADAPTOR (M2)
064060J	CAPACITY SETTING ADAPTOR (M3)
5011038	DC FAN MOTOR
6017766	DRAIN PUMP
2139531	FLOAT SWITCH
096930J	FUSE
5018656	PRINTED CIRCUIT ASSY. (M4)
5018128	PRINTED CIRCUIT ASSY. (M1, M2, M3)
139491J	TERMINAL BLOCK
5011034	THERMISTOR (COIL)
5011028	THERMISTOR (COIL)
5011039	THERMISTOR ASSY. 2 (AIR)

Expanded Model Nomenclature

M1 - FFQ09Q2VJU
M2 - FFQ12Q2VJU
M3 - FFQ15Q2VJU
M4 - FFQ18Q2VJU

FFQ09Q2VJU / FFQ12Q2VJU / FFQ15Q2VJU / FFQ18Q2VJU



Ref. Part No: No:	Description:	Ref. Part No: No:	Description:
Image 1:		Image 1:	
1	5010994	49	5011037
	PLATE FINNED COIL HEAT EXCH. ASSY. (M1, M2)		STRAIGHTENING PLATE (M1, M2, M3)
1	5011001	50	5010997
	PLATE FINNED COIL HEAT EXCH. ASSY. (M4)		DRAIN PAN ASSY.
1	5018123	51	007970J
	PLATE FINNED COIL HEAT EXCH. ASSY. (M3)		DRAIN PLUG
2	257577J	52	054199J
	UNION JOINT/ GAS LINE (M1, M2)		FLANGE NUT (QTY 3)
2	257580J	53	5010995
	UNION JOINT/ GAS LINE (M3, M4)		BELL MOUTH
3	5011029	54	5018135
	THERMAL INSULATION TAPE		TOP PLATE ASSY.
4	5018124	55	2161730
	LIQUID PIPE ASSY. (M1, M2, M3)		SEALING MATERIAL
4	NA	56	5018136
	LIQUID PIPE ASSY. (M4)		THERMAL INSULATION ASSY.
5	019842J	57	5018132
	UNION JOINT/ LIQUID LINE		SIDE PLATE ASSY.
6	5018126	58	050816J
	DISTRIBUTOR ASSY. (M1, M2, M3)		CLAMP
6	NA	59	5011014
	DISTRIBUTOR ASSY. (M4)		REAR PLATE ASSY.
7	5011025	60	5018131
	THERMAL INSULATION TUBE		SIDE PLATE ASSY.
8	4012783	61	5018133
	PIPE INSULATION PIPE COVER		LOCALIZED DIE HANGER METAL (QTY 4)
9	042396J	62	5011008
	FITTING SPRING/ THERMISTOR		HOLD PLATE (WIRE)
10	1723546	63	5011006
	FLARE NUT		PLATE FINNED COIL MOUNT PLATE (M1, M2, M3)
11	119848J	63	5011007
	FLARE NUT (M1, M2)		PLATE FINNED COIL MOUNTING PLATE (M4)
11	119849J	64	5018169
	FLARE NUT (M3, M4)		HOLDING PLATE
12	5011010	65	5011032
	TURBO FAN ROTOR		DRAIN HOSE
13	066216J	66	032284J
	LOCK WASHER		SEALER/ DRAIN HOSE
14	082008J	67	5018137
	HEX. LOCK NUT		CONDUIT MOUNTING PLATE
15	NA	68	5018138
	ELECTRIC COMPONENTS ASSY.		CAUTION LABEL (ELECTRIC SHOCK)
16	5011034	69	5018139
	THERMISTOR (COIL)		CAUTION LABEL (ROTATING)
17	5011039	70	5018140
	THERMISTOR ASSY. 2 (AIR)		CAUTION LABEL (MOUNT)
18	5011030	71	170323J
	WIRE HARNESS ASSY.		SEALING MATERIAL
19	049248J	72	001439J
	FUSE HOLDER		SEALER/ DRAIN HOSE
20	096930J	73	143192J
	FUSE		HEAT INSULATION COVER
21	2026154	74	537320J
	EARTH WIRE		HOSE BAND
22	5011023	75	5018134
	COVER/ SWITCH BOX		ACCESSORY SET
23	1087017	76	038187J
	LOCKING WIRE SADDLE (QTY 2)		INSULATION TUBE/ LIQUID LINE
24	5011012	77	537317J
	WIRE HARNESS ASSY.		DRAIN HOSE
25	5011038	78	170324J
	DC FAN MOTOR		INSULATION TUBE
26	053203J		
	CUSHION RUBBER/ FAN MOTOR (QTY 3)		
27	102022J		
	CLAMP/ WIRE HARNESS (QTY 2)		
28	4008841		
	FERRITE CORE		
29	5018127		
	SWITCH BOX		
30	099784J		
	TAPPING SCREW (QTY 2)		
31	5011011		
	DRAIN PUMP ASSY.		
32	5010996		
	DRAIN PUMP MOUNTING STAND		
33	6017766		
	DRAIN PUMP		
34	2139531		
	FLOAT SWITCH		
35	174888J		
	PAN HEAD TAPPING SCREW		
36	827920J		
	TRUSS TAPPING SCREW (QTY 2)		
37	5018129		
	PROTECTION PLATE		
38	008802J		
	TAPPING SCREW (QTY 4)		
39	5015238		
	RESIN CASE		
40	5011009		
	FIXTURE/ SWITCH BOX		
41	5018128		
	PRINTED CIRCUIT ASSY. (M1, M2, M3)		
41	5018656		
	PRINTED CIRCUIT ASSY. (M4)		
42	064060J		
	CAPACITY SETTING ADAPTOR (M3)		
42	065331J		
	CAPACITY SETTING ADAPTOR (M2)		
42	065336J		
	CAPACITY SETTING ADAPTOR (M4)		
42	066964J		
	CAPACITY SETTING ADAPTOR (M1)		
43	139491J		
	TERMINAL BLOCK		
44	5010575		
	WIRE HARNESS ASSY.		
45	2002033		
	TERMINAL BLOCK (REMOTE CONTROLLER)		
46	5011028		
	THERMISTOR (COIL)		
47	5018130		
	FRONT PLATE ASSY.		
48	5010998		
	INNER THERMAL INSULATION ASSY.		
49	5011036		
	STRAIGHTENING PLATE (M4)		

Expanded Model Nomenclature

M1 - FFQ09Q2VJU
M2 - FFQ12Q2VJU
M3 - FFQ15Q2VJU
M4 - FFQ18Q2VJU