

Job Name _____
 Purchaser _____
 Submitted to _____
 Unit Designation _____

Location _____
 Engineer _____
 Reference _____ Approval _____ Construction _____
 Schedule # _____



Specifications

Model	Indoor Unit Model Number	AC030MNTDCH/AA	
	Outdoor Unit Model Number	AC030MXSCCC/AA	
Performance	Nominal Capacity	Btu/h	30,000
	Capacity Range	Btu/h	9,000 - 37,000
	SEER / EER		19.7 / 10.20
	AHRI Certification Number		10491546
Power	Voltage	ø / V / Hz	1 / 208-230 / 60
	Working Voltage Range (VAC)		176 - 254 (max. 3% deviation from each)
	Operating Current	min. / std. / max.	2.7 / 13.1 / 21.0
	Max. Breaker	Amps	30
	Min. Circuit Ampacity (A)		24.0
Dimensions	W X H X D (in.)	Indoor Unit	50 3/8 X 13 5/8 X 10
		Outdoor Unit	37 X 39 11/16 X 13
	Weight (lbs.)	Indoor Unit	40.57
		Outdoor Unit	159.61
Heat Exchanger	Indoor & Outdoor Unit Type	Aluminum Fin / Copper Tube	
Sound Pressure Level	Indoor Unit dB(A)	(Silent) / L / M / H	37 / 45 / 47 / 49
	Outdoor Unit dB(A)	High	52
Operating Temperatures	Outdoor	°F(°C)	23 ~ 115°F(-5 ~ 46°C)
	Indoor	°F(°C)	-40 ~ 115°F(46°C) w/wind baffle 61 ~ 90°F(16 ~ 32°C)
Pipe Connections	Indoor & Outdoor	High side (flare)	3/8"
		Low side (flare)	5/8"
	Maximum (ft.)		164
	Maximum Vertical Separation (ft.)		98
	Condensate Connection		11/16" OD
Refrigerant	Type		R410A
	Control Method		Electronic Expansion Valve
	Factory Charge	oz.	84.64
	Charged for		25 ft
	Additional Refrigerant		0.24 oz/ft over 25 ft
Compressor	Manufacturer		Samsung
	Type		Inverter Driven, BLDC, Rotary
	RLA	Amps	16.5
Evaporator Fan	Type		BLDC with Crossflow fan (1)
	Air Volume	CFM (L/M/H)	671 / 724 / 777
	Output (W) / FLA (A)		58 W / 0.90 A
Condenser Fan	Motor		BLDC With Axial Type Fan (1)
	FLA / W / CFM (max.)		1.51 A / 164 W / 2,754 CFM
Optional Accessories	Wired Controller	Simplified Touch Controller	MWR-SH11UN
		Advanced Wired Controller	MWR-WG00UN
	Condensate pump	Aspen Mini Orange	ASP-MO-UNIV 110-250
		Blue Diamond	BD-BLUE230
	Wi-Fi Adapter		MIM-H04UN
	External Temperature Sensor		MRW-TA
	External Contact Control		MIM-B14
	Central Control Interface Module for Connection to DVM Plus Controls (non-NASA)		MIM-N01
	Wall Bracket (for outdoor unit)		CKN-250
		Wind Baffles	Front
	Back	WBB-3M	
Line Sets - insulated and flared, interconnect cables included		25' - ILS2510	
		50' - ILS5010	
Safety	Certifications	ETL (UL 1995)	
	Devices: PCB fuses, indoor unit terminal block thermal fuse, current transformer, over-voltage protection, crankcase heating, temperature limit protection logic, compressor overload sensing		

- Wall-mounted evaporator
- Low ambient cooling to -40°
- The outdoor unit shall supply power to indoor unit via 14 AWG X 3 power wire
- Auto-restart after power loss
- The outdoor unit shall have a snow accumulation prevention option setting to prevent snow drifting against an idle outdoor unit.
- The indoor unit shall have a removable EEPROM that stores system programming information, unit name, and other data
- All indoor unit addressing and option settings shall be done digitally; the indoor unit does not contain rotary dials or setting switches.
- The outdoor unit shall have a night time quiet mode option to reduce operating sound during the night.

Construction
 The outdoor unit shall be galvanized steel with a baked on powder coated finish for durability
 Indoor unit chassis shall be UL94 V0 with a galvanized steel mounting plate

The indoor unit shall have easy-access to wire, pipe, and drain connections via access panel on front of unit for easier installation and service

Heat Exchanger
 The indoor unit and outdoor unit heat exchangers shall be mechanically bonded aluminum fin to copper tube

Controls
 Control signal shall be a DDC type signal

Advanced configuration options for high room temperature alerts using MIM-B14 external contact control to enable a backup system and/or to notify a BMS (refer to technical documents available at www.DVMdownload.com for full details).

Interconnect control wire between outdoor indoor unit shall be 16AWG X 2 shielded
 Wired controls must be purchased separately

Wireless controller included
 Connection to optional wired controllers shall be 2 X 16AWG shielded wire

Controls shall integrate with a BMS system
 The system shall integrate with the Samsung NASA Controls Solution

No additional interface modules/adapters are required when connecting to Samsung NASA DVM S central control options (MIM-D01AUN, MIM-B17BUN, MIM-B18BUN, MCM-A300UN).

Refrigerant System
 The refrigerant shall be R410A

The compressor shall be hermetically sealed, inverter controlled, BLDC Rotary
 Refrigerant flow shall be controlled by an electronic expansion valve at outdoor unit

Soft-start to reduce current demand during compressor start

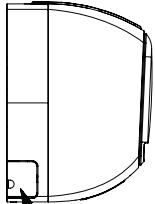
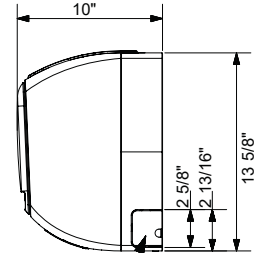
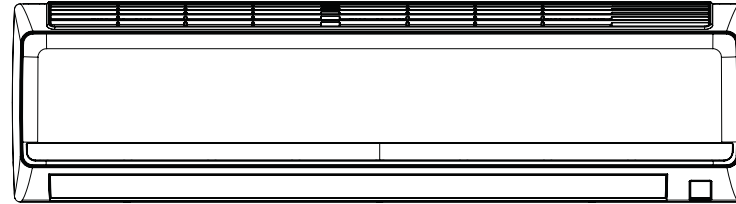
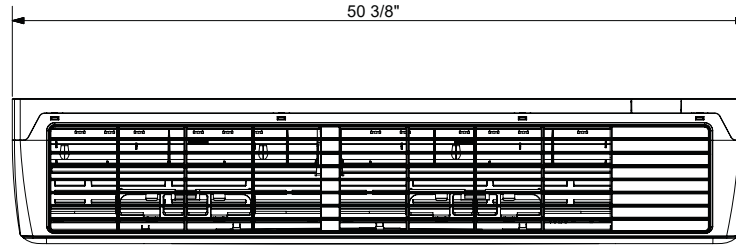
Warranty
 7 Years compressor, 5 years parts with registration

Certified in accordance with the AHRI Unitary Small Air-Conditioners (USAC) Certification Program which is based on the latest edition of AHRI Standard 210/240.

Samsung HVAC maintains a policy of ongoing development, specifications are subject to change without notice. Refer to www.AHRIdirectory.org for current reference numbers.

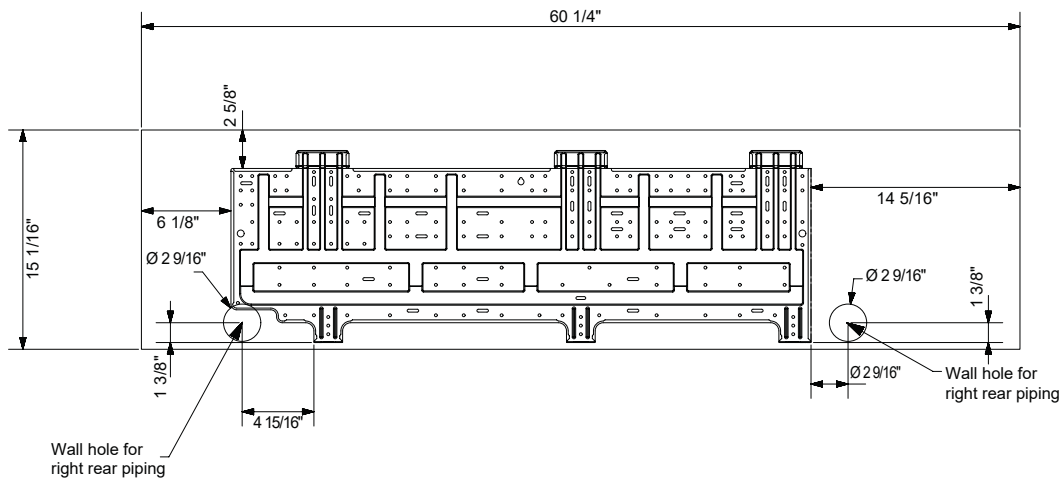
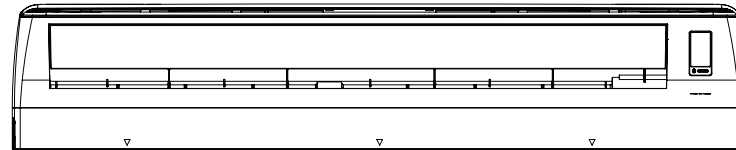
Notice: US Federal law requires that the above model to be installed in all U.S. states and territories except in AZ, CA, NM, and NV. Federal law prohibits installation of this unit in these states.





Knockout hold for left piping

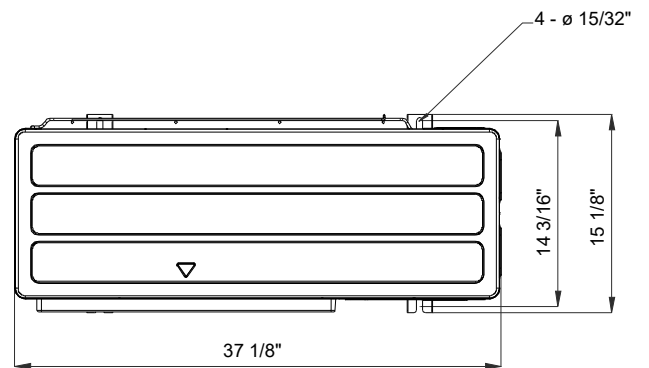
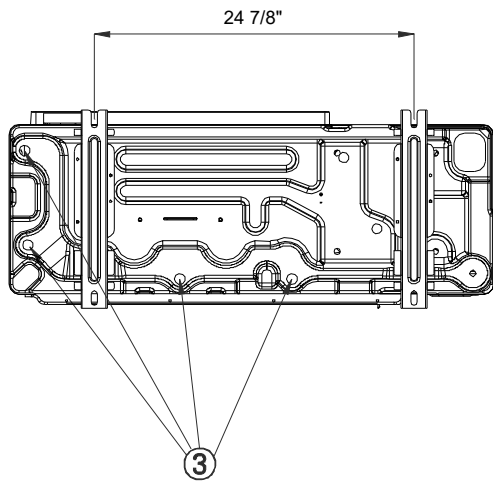
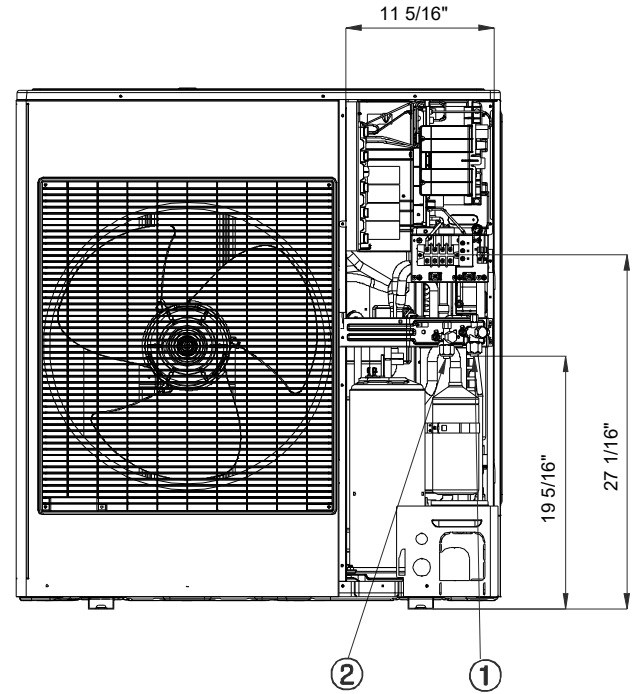
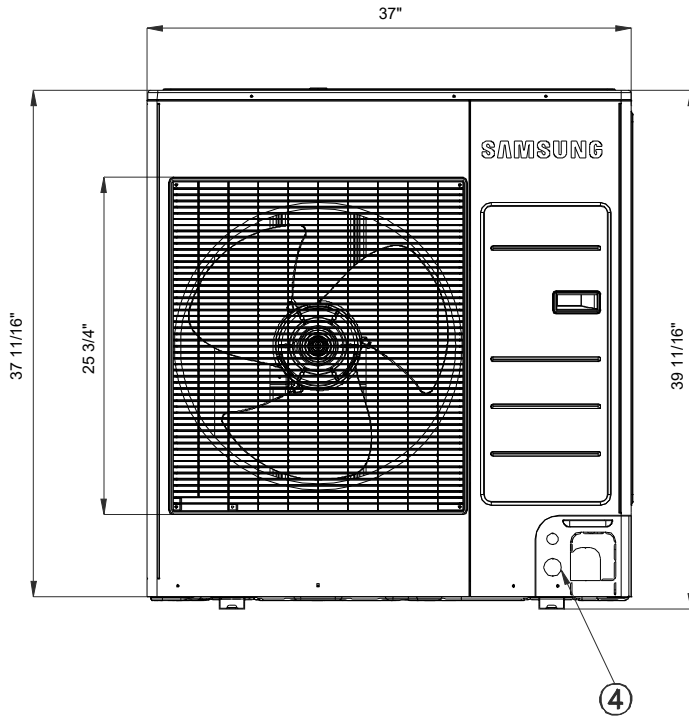
Knockout hole for right piping



Wall hole for right rear piping

Wall hole for right rear piping

No.	Name	Description
1	Liquid pipe connection	3/8"
2	Gas pipe connection	5/8"
3	Drain pipe connection	11/16" OD
4	Power supply & Communication wiring conduit	-



No.	Name	Description
①	Gas Pipe Connection	Ø 3/8" Flare
②	Liquid pipe Connection	Ø 5/8" Flare
③	Drain Hole	-