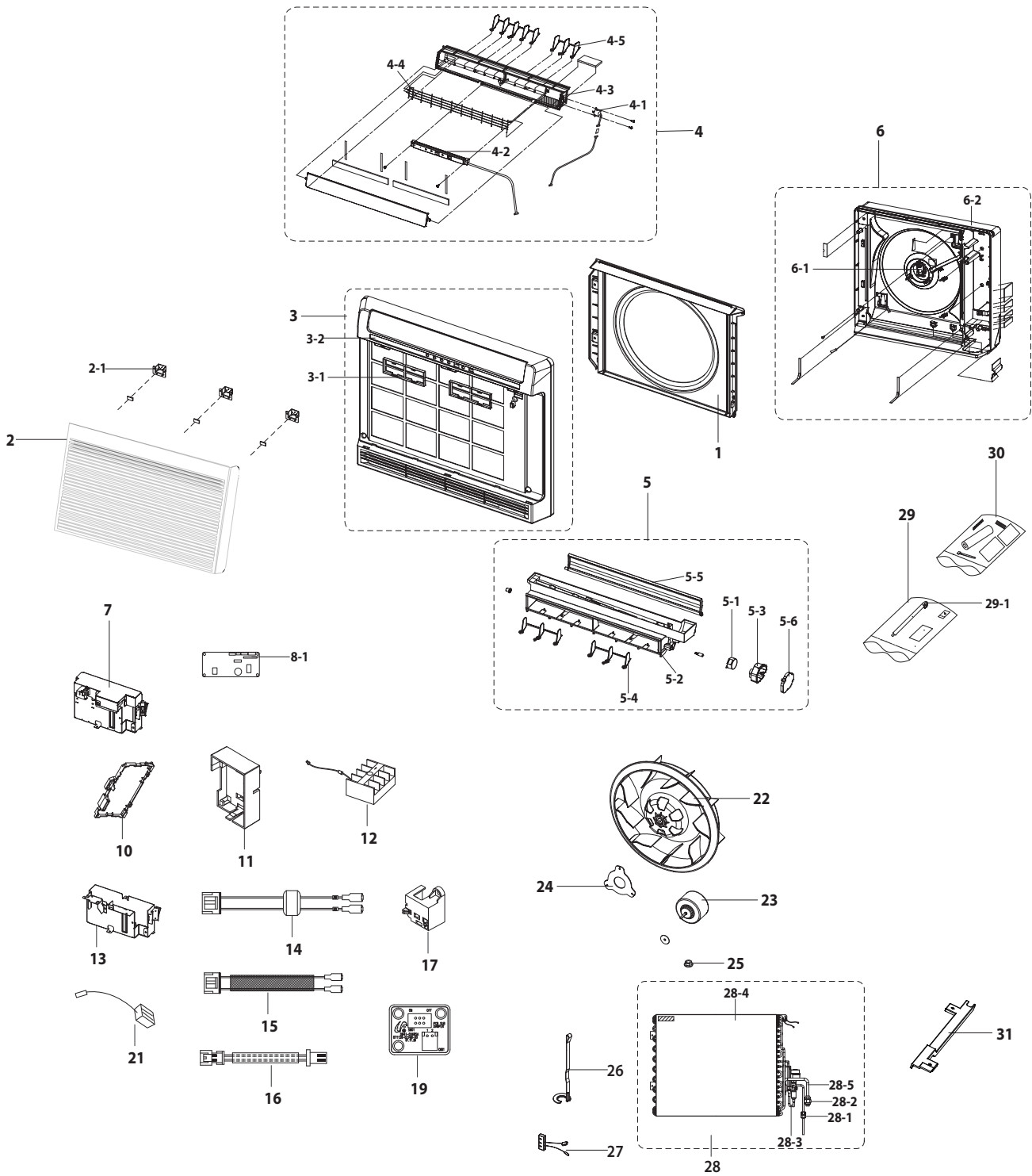


Indoor Unit(Console)

AJ018TNJDCH/AA



Parts List : AJ018TNJDCH/AA

No.	Part Code	Description	Specification	Q'TY	S/SNA
1	DB90-03828A	ASSY-BODY BELL MOUTH	JH035EAV1,SSEC	1	SA
2	DB92-01445B	ASSY PANEL FRONT	IINV,R410A,AC035FBJDEH/	1	SA
2-1	DB61-03613A	PLATE-STEEL PAINT	JH035EAV1,SGCC-M,0.8,5	3	SA
3	DB92-01242J	ASSY PANEL FRONT	AM022KNJDEH/EU	1	SA
3-1	DB63-01998A	FILTER AIR	EIffel,PP,T2.5,413,515	1	SA
3-2	DB93-14028C	ASSY CONNECTOR WIRE-DISPLAY	13,2095,26,B	1	SNA
4	DB92-01243F	ASSY-BODY TOP DISCHARGE	AM056FNJDEH/EU,S	1	SA
4-1	DB31-00371A	MOTOR STEP	1step 5.625/64,DC12V,650gf.c	1	SA
4-1-1	DB92-02778A	ASSY PCB DISPLAY	PANEL DISPLAY,DVM NASA	1	SA
4-2	DB66-01280A	BLADE-TOP V RH	EIffel,PP,T2.7,-,SSEC	1	SNA
4-3	DB61-03544A	BODY-TOP DISCHARGE	EIffel,HIPS,T2.5,VICT	1	SNA
4-4	DB63-01999A	GUARD-TOP OUTLET	EIffel,HSWR-SWRH,OD1.5,	1	SNA
5	DB92-01244D	ASSY-BODY BOTTOM DISCHARGE	AVXTJH056EE,S	1	SA
5-1	DB31-00370A	MOTOR STEP	35BYJ46,DC12V,DC12V,DC12V,800	1	SA
5-2	DB61-03546A	BODY-BOTTOM DISCHARGE	EIffel,HIPS,T2.5,-	1	SNA
5-3	DB61-03553A	CASE MOTOR-STEP	MH026FJEA,ABS,T2.5,54.2,	1	SNA
5-4	DB66-01283A	BLADE-BOTTOM V	EIffel,PP,T2.7,-,SSEC	2	SNA
5-5	DB66-01284A	BLADE-BOTTOM H	EIffel,ABS,T2.5,SSEC	1	SNA
5-6	DB67-00897A	CAP-MOTOR STEP	EIffel,ABS,T2.5,54,66,-,S	1	SNA
5-7	DB93-07104C	ASSY CONNECTOR WIRE-STEP MOTOR	JH035EAV1	1	SA
6	DB94-01992C	ASSY BACK BODY	AJ009TNJDCH/AA,FJM	1	SA
6-1	DB93-09679A	ASSY-SPI SLIM COMPACT	Wire Length : 500m	1	SA
6-2	DB61-03547A	BODY BACK	EIffel,HIPS,T2.5,-,718,609,-,S	1	SNA
6-3	DB60-00150A	SCREW-SPECIAL	HWH,M4,L26,ZPC(WHT),SWRCH1	7	SA
7	DB90-04711A	ASSY COVER CONTROL	AVXTJH056EE,-	1	SA
7-1	DB92-02809A	ASSY PCB SUB	COMM,DVM NASA RAC,58*40,N,-	1	SA
7-2	DB93-13688C	ASSY CONNECTOR WIRE-DC SIGNAL	2,1007,24,	1	SA
7-3	DB93-14039A	ASSY CONNECTOR WIRE-DC SIGNAL	20,1007,26	1	SA
8-1	DB92-03994C	ASSY PCB MAIN-IN	INDOOR,FJM NASA,190*90,	1	SA
8-1-1	DB92-04020A	ASSY PCB SUB	SUB,20*25,Indoor EEPROM,Yes	1	SA
10	DB61-03537B	CASE PCB-MAIN	JH035EAV1,ABS,T2.5,113.1,2	1	SA
11	DB61-03550A	CASE PCB-ADDRESS	JH026EAV1,ABS,T2.5,44.3	1	SA
12	DB65-00326A	TERMINAL BLOCK	4P,PBT,300V,25A,36.4x47.0	1	SA
13	DB90-03842A	ASSY CASE-CONTROL PD	CONSOLE,SSEC	1	SA
14	DB93-06155A	ASSY CONNECTOR WIRE-COMMUNICATION	21007	1	SA
15	DB93-09990B	ASSY CONNECTOR WIRE-POWER	2,1015,18,BRN,	1	SA
16	DB95-05009F	ASSY THERMISTOR	SMH250-06L,L1050,10kohm	1	SA
17	DB61-03549A	CASE PCB-SWITCH	JH026EAV1,ABS,T1.5,34.3,	1	SA
19	DB93-06169A	ASSY PCB SUB-SWITCH	SUB,CONSOLE,30*24.6,	1	SA
21	DB93-06157C	ASSY CONNECT OR WIRE-REMOCOM	2,1007,26,BL	1	SA
22	DB31-00507A	FAN-TURBO	NONE,EIffel,SAN+GF20%,NONE,SSEC	1	SA
23	DB31-00517A	MOTOR FAN	SIC-55CV-F137-2,Console,200mA,	1	SA
24	DB61-03554A	BRACKET-MOTOR	EIffel,GI-SGCC,T2,W105,L10	1	SA
25	DB60-00406A	FASTENER-NUT FLANGE	SWRCH10A	1	SA
26	DB81-00635A	SPRING ETC-SENSOR	DVM-SYSTEM,STS304,R2.5	2	SA
27	DB95-05011B	ASSY THERMISTOR IN	SMH200-06H,L350,10koh	1	SA
28	DB96-24991A	ASSY EVAP PARTS	AJ052TNJDKG/EU	1	SNA
28-1	DB60-30010A	FASTENER-NUT FLARE	BRASS	1	SA
28-2	DB60-30010C	FASTENER-NUT FLARE	BRASS	1	SA
28-3	DB96-09828A	ASSY TUBE-INLET	MH026FJEA,SSEC	1	SNA
28-4	DB96-11811A	ASSY EVAP	CONSOLE FJM,SSEC	1	SA
28-5	DB96-11810A	ASSY COLLECTOR OUT	MH026FJEA,FJM SSEC	1	SNA
29	DB97-09916A	ASSY ACCESSORY-DRAIN PIPE	HP,NO,3.5KW,VI	1	SA
29-1	DB94-00458D	ASSY HOSE DRAIN	VIVALDI-PJT,SSEC	1	SA
30	DB97-09209B	ASSY ACCESSORY-CONSOLE	HP,NO,3.5KW,VINYL	1	SA
31	DB61-03551A	BRACKET-WIRE MOLD	EIffel,HIPS,T1.8,43.2,	1	SA