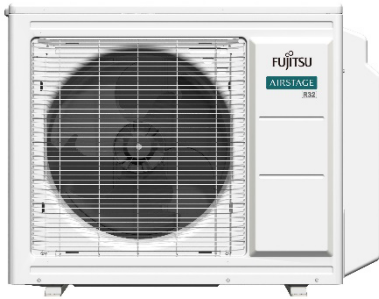


SUBMITTAL - 24KWAS3

Job Name: _____	Date: _____
Location: _____	

R32

Outdoor Unit: **AOUH24KWAS3**



FEATURES

MULTI-ZONE OUTDOOR UNIT:

- Multi-zone outdoor Unit with a Connectable capacity of up to 130%
- Supports connection of 2 to 3 indoor units
- Low GWP R-32 systems for reduced environmental impact
- INVERTER-driven compressor that offers superior performance, comfort, and energy savings
- Efficiently delivers comfort with capacities ranging from 14,000 to 31,000 BTU
- Blue Fin-coated heat exchanger for improved corrosion resistance and coil durability
- Super quiet operation with sound levels as low as 50dB
- Common indoor units compatible with single and multi-zone systems: Compact Cassette, Mid Static Ducted, Multi-Position Air Handling Unit, Slim Ducted, and Wall-Mounted models
- Current limit function, allowing precise control to meet specific power requirements
- Built-in safety features, including circuit protection, fan motor protection, and compressor protection, ensuring reliable operation and long-lasting durability
- Compact outdoor unit with extended line set lengths up to 164ft (50m)



7 Year Compressor, 5 Year Parts out-of-the-box Warranty.



10 Year Compressor, 10 Year Parts Warranty when registered within 60 days of installation in a residence.



12 Year Compressor, 12 Year Parts Warranty when registered within 60 days of installation and installed by a Fujitsu Elite contractor.



Due to continuous product improvements, specifications are subject to change without notice. Please log in to the Fujitsu Portal for the most up-to-date documentation <https://connect.fujitsugeneral.com>

Version: 20250618A

- 1 of 6 -

SUBMITTAL - 24KWAS3

SPECIFICATIONS:

Model number				AOUH24KWAS3			
System name				24KWAS3			
Connectable Indoor Unit	Number	Min.		2			
		Max.		3			
	Total Capacity Range	Min.		14,000			
Max.		Btu/h	31,000				
AHRI Number				215447687	215447688	215447696	
Standard combination of indoor unit				Non-Ducted	Ducted	Mixed	
SEER2	Cooling			Btu/hW	23	19.5	21
EER2	Cooling	Rated	Btu/hW	13	12	12.5	
HSPF 2 (IV) / HSPF 2 (V)	Heating			Btu/hW	10.5 / 8.5	9.5 / 7.8	10 / 8.1
COP2	Heating	Rated	kW/kW	4.6	4	4.3	
Energy Star*1				ES, ESCC, ESME			
Outdoor Operation Range	Cooling			°F (°C)	14 to 122 (-10 to 50)		
	Heating				5 to 75 (-15 to 24)		
Capacity	Cooling	Rated	kW	6.45			
		Min.—Max.	Btu/h	22,000			
			kW	1.79—7.91			
	Heating	Min.—Max.	Btu/h	6,100—27,000			
			kW	7.04			
		Rated	Btu/h	24,000			
	Heating (17°F)*2	Min.—Max.	kW	1.99—9.09			
			Btu/h	6,800—31,000			
		Rated	kW	4.57			
	Heating (5°F)*3	Min.—Max.	Btu/h	15,600			
			kW	1.38—6.62			
		Rated	Btu/h	4,700—22,600			
	Input Power	Cooling	Rated	kW	1.69	1.83	—
			Max.		2.7	2.9	—
		Heating	Rated		1.53	1.76	—
Max.	2.18		2.6		—		
Heating (17°F)*2	Rated	1.37	1.54		—		
	Max.	2.59	2.71		—		
Heating (5°F)*3	Rated	2.76	2.76	—			
	Max.	2.76	2.76	—			
Current	Cooling	Rated	A	7.5	8.2	7.8	
	Heating	Rated	A	6.8	7.8	7.3	
Starting Current				A	8.2		
Maximum Operating Current *4				A	14.7		
Power Supply	Voltage			V	208/230		
	Available Voltage Range			V	187—253		
	Frequency			Hz	60		
Minimum Circuit Ampacity (MCA)				A	18		
Maximum Circuit Breaker				A	20		
Outdoor Fan	Airflow Rate	Cooling	CFM (m3/h)	1,507 (2,560)			
		Heating		1,607 (2,730)			
	Type × Qty			Propeller × 1			
Motor Output			W	49			
Outdoor Sound Pressure Level *5	Cooling			dB (A)	50		
	Heating				52		
Refrigerant	Type			R32			
	Charge			lb (g)	3 lb 15 oz (1,800)		
Refrigerant Oil	Type			RmM68AF			
	Amount			in3 (cm3)	33.6 (550)		

SUBMITTAL - 24KWAS3

SPECIFICATIONS:

Model number			AOUH24KWAS3			
System name			24KWAS3			
Outdoor Dimensions (H × W × D)		Net	in (mm)	28-3/16 × 32-5/16 × 12-3/8 (716 × 820 × 315)		
		Gross		35-1/16 × 40-7/16 × 17-1/2 (890 × 1,027 × 445)		
Outdoor Weight		Net	lb (kg)	101 (46)		
		Gross		121 (55)		
Connection Pipe	Size × Qty	Liquid	in (mm)	Ø1/4 (Ø6.35) × 2 + Ø1/4 (Ø6.35) × 1		
		Gas		Ø3/8 (Ø9.52) × 2 + Ø1/2 (Ø12.70) × 1		
Method			Flare			
Pre-Charge Length (Total)			98 (30)			
Min. Length			ft (m)	33 (10)		
	Each			16 (5)		
Max. Length	Total			164 (50)		
	Each			82 (25)		
Max. Height Difference	Between outdoor unit and each indoor units		49 (15)			
	Between indoor units		33 (10)			
Additional Charge			oz/ft (g/m)	0.22 (20)		
Power Factor	Cooling	Rated	%	98	97	—
	Heating			97.8	98.1	—

NOTES:

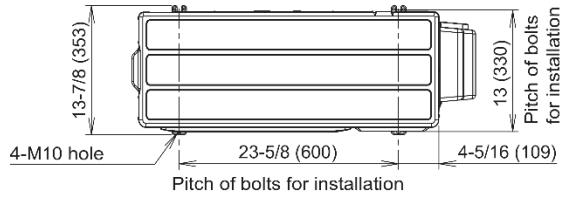
- *1: ES = Energy Star, ESCC = Energy Star Cold Climate, ESME= Energy Star Most Efficient
- Specifications are based on the following conditions:
 - Cooling: Indoor temperature of 80°FDB (26.7°CDB)/67°FWB (19.4°CWB), and outdoor temperature of 95 °FDB (35°CDB)/75°FWB (23.9°CWB).
 - Heating: Indoor temperature of 70°FDB (21.1°CDB)/60°FWB (15.6°CWB), and outdoor temperature of 47 °FDB (8.3°CDB)/43°FWB (6.1°CWB).
 - *2: Heating (17°F): Indoor temperature of 70°FDB (21.11°CDB) /60°FWB (15.56°CWB), and outdoor temperature of 17°FDB (-8.33°CDB) /15°FWB (-9.44°CWB).
 - *3: Heating (5°F): Indoor temperature of 70°FDB (21.11°CDB)/60°FWB (15.56°CWB), and outdoor temperature of 5°FDB (-15.0°CDB)/4°FWB (-15.56°CWB).
 - Test conditions are based on AHRI 210/240 2023.
 - Pipe length: 25 ft (7.5 m), Height difference: 0 ft (0 m). (Between outdoor unit and indoor unit.)
- Protective function might work when using it outside the operation range.
- *4: Maximum current:
 - The maximum value when operated within the operation range.
 - The total current of indoor unit and outdoor unit.
- *5: Sound pressure level:
 - Measured values in manufacturer’s semi-anechoic chamber.
 - Because of the surrounding sound environment, the sound levels measured in actual installation conditions might be higher than the specified values here.

System continues to operate below rated outdoor operation temperature range, subject to varying conditions. System has no low temperature cut out. Capacity is not tested outside of the rated temperature range.

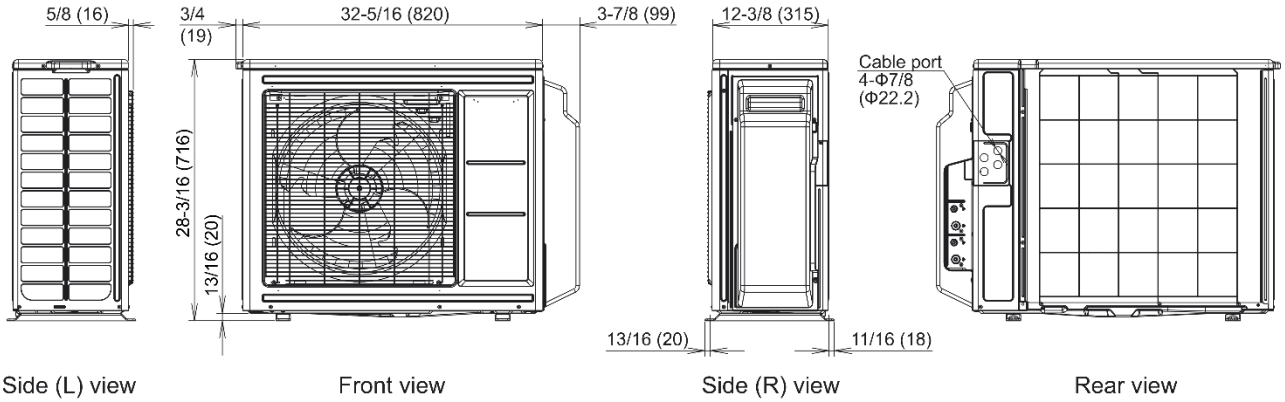
SUBMITTAL - 24KWAS3

OUTDOOR UNIT DIMENSIONS:

Unit: in (mm)



Top view

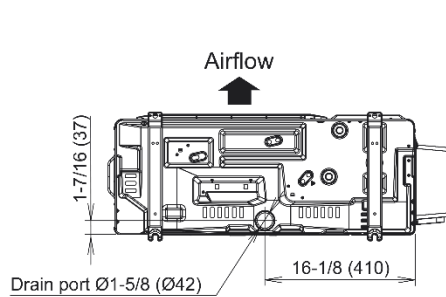


Side (L) view

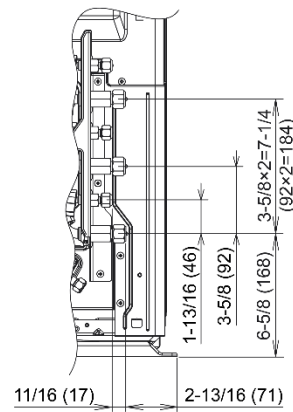
Front view

Side (R) view

Rear view



Bottom view



Side view (Valve part)

SUBMITTAL - 24KWAS3

MULTI-ZONE ALLOWABLE COMBINATIONS:

3-unit multi-split outdoor unit: AOUH24KWAS3 or AOUH24KWAH3				
Combination no.	Indoor unit			Total
	Unit 1	Unit 2	Unit 3	
	(kBtu class)			
1	7	7	—	14
2	7	9	—	16
3	7	12	—	19
4	7	15	—	22
5	7	18	—	25
6	9	9	—	18
7	9	12	—	21
8	9	15	—	24
9	9	18	—	27
10	12	12	—	24
11	12	15	—	27
12	12	18	—	30
13	15	15	—	30
14	7	7	7	21
15	7	7	9	23
16	7	7	12	26
17	7	7	15	29
18	7	9	9	25
19	7	9	12	28
20	7	9	15	31
21	7	12	12	31
22	9	9	9	27
23	9	9	12	30

NOTE: Up to 1 Mid Static Ducted or Multi Position Air Handling Unit can be connected to the combination.

SUBMITTAL - 24KWAS3

COMPATIBLE INDOOR UNIT MODELS:

Nominal Capacity (Btu/h)	Wall Mounted	Slim Ducted	Comp. Cassette	Multi Position AHU	Mid-Static Ducted
7000	ASUH07KPAS	ADUH07KUAS	ACUH07KUAS	--	--
9000	ASUH09KPAS	ADUH09KUAS	ACUH09KUAS	--	--
12000	ASUH12KPAS	ADUH12KUAS	ACUH12KUAS	AMUH12KUAS	ARUH12KUAS
15000	ASUH15KPAS	--	--	--	--
18000	ASUH18KPAS	ADUH18KUAS	ACUH18KUAS	AMUH18KUAS	ARUH18KUAS

The Fujitsu logo is a worldwide trademark of Fujitsu General Limited. The Airstage logo and name is a worldwide trademark of Fujitsu General Limited and is a registered trademark in Japan, the USA and other countries or areas. Copyright 2025 Fujitsu General America, Inc. Fujitsu's products are subject to continuous improvements. Fujitsu reserves the right to modify product design, specifications and information in this brochure without notice and without incurring any obligations.