

Job Name _____
 Purchaser _____
 Submitted to _____
 Unit Designation _____

Location _____
 Engineer _____
 Reference _____ Approval _____ Construction _____
 Schedule # _____

Specifications

Model	Indoor Unit Model Number (US Code)	AC036MNTDCH/AA (CNH36TDM)	
	Outdoor Unit Model Number (US Code)	AC036JXADCH/AA (CXH36ADJ)	
Performance	Nominal Capacity	Cooling / Heating (Btu/h)	36,000 / 40,000
	Capacity Range	Cooling (Btu/h)	14,000 - 39,000
		Heating (Btu/h)	11,500 - 48,000
	SEER / EER		18.3 / 9.3
	COP (nominal heating)		2.84
	HSPF		9.5
AHRI Certification Number		10227629	
Power	Voltage	ø / V / Hz	1 / 208-230 / 60
	Working Voltage Range (VAC)		176 - 254 (max. 3% deviation from each)
	Operating Current	Cooling (A)	4.8 / 16.5 / 18.5
		Heating (A)	3.7 / 17.8 / 23.0
	Max. Breaker	Amps	35
Min. Circuit Ampacity (A)		23.2	
Dimensions	W X H X D (in.)	Indoor Unit	50 3/8 x 13 5/8 x 10
		Outdoor Unit	37 X 47 5/8 X 13
	Weight (lbs.)	Indoor Unit	40.57
		Outdoor Unit	194.01
Heat Exchanger	Indoor & Outdoor Unit	Type	Aluminum Fin / Copper Tube
		FPI	18
	Outdoor Unit	Pipe Diameter (in.)	1/4
		Type	Aluminum, flat fin, micro channel
Sound Pressure Level	Indoor Unit dB(A)	(Silent) / L / M / H	38 / 46 / 48 / 51
	Outdoor Unit dB(A)	Cooling / Heating (high)	49 / 51
Operating Temperatures °F(°C)	Outdoor	Cooling	23 ~ 115°F(-5 ~ 46°C)
		Heating	0 ~ 115°F(-18 ~ 46°C) w/ baffle -4 ~ 76°F(-20 ~ 24°C)
	Indoor	Cooling	61 ~ 90°F(16 ~ 32°C)
		Heating	T ≤ 80(27°C)
Pipe Connections	Indoor & Outdoor	High side (flare)	3/8"
		Low side (flare)	5/8"
	Maximum (ft.)	246	
	Maximum Vertical Separation (ft.)	98	
	Condensate Connection	11/16" OD	
Refrigerant	Type	R410A	
	Control Method	Electronic Expansion Valve	
	Factory Charge	oz.	91.68
	Charged for		25 ft
	Additional Refrigerant		0.11 oz/ft over 25 ft
Compressor	Manufacturer	Samsung	
	Type	Inverter Driven, Twin BLDC, Rotary	
	RLA	Amps	17.0
Evaporator Fan	Type	BLDC with Crossflow fan (1)	
	Air Volume	CFM (L/M/H)	699 / 752 / 830
	Output (W) / FLA (A)		58 W / 0.90 A
Condenser Fan	Motor	BLDC With Axial Type Fan (2)	
	FLA / Watts / CFM (max.)		0.96 A / 250 W / 3,040 CFM
Safety	Certifications	ETL (UL 1995)	
	Devices:	PCB fuses, indoor unit terminal block thermal fuse, current transformer, over-voltage protection, crankcase heating, temperature limit protection logic, compressor overload sensing	



- Wall-mounted evaporator
- The outdoor unit shall supply power to indoor unit via 14 AWG X 3 power wire
- Auto-restart after power loss
- The outdoor unit shall have a snow accumulation prevention option setting to prevent snow drifting against an idle outdoor unit.
- The indoor unit shall have a removable EEPROM that stores system programming information, unit name, and other data
- The outdoor unit shall have a night time quiet mode option to reduce operating sound during the night. (Automatic or manual activation with dry contact signal)

Construction

The outdoor unit shall be galvanized steel with a baked on powder coated finish for durability

Indoor unit chassis shall be UL94 V0 with a galvanized steel mounting plate

The indoor unit shall have easy-access to wire, pipe, and drain connections via access panel on front of unit for easier installation and service

Heat Exchanger

The indoor unit heat exchanger shall be mechanically bonded fin to copper tube

The outdoor unit heat exchanger shall be aluminum, flat fin, micro channel

Controls

Control signal shall be a DDC type signal

Interconnect control wire between outdoor and indoor unit shall be 16AWG X 2 shielded

Wired controllers must be purchased separately

Wireless controller included

Controls shall integrate with a BMS system

The system shall integrate with the Samsung NASA Controls Solution

No additional interface modules/adapters are required when connecting to Samsung NASA DVM S central control options.

Refrigerant System

The refrigerant shall be R410A

The compressor shall be hermetically sealed, inverter controlled, twin BLDC Rotary

Refrigerant flow shall be controlled by an electronic expansion valve at outdoor unit

Soft-start to reduce current demand during compressor start

Warranty

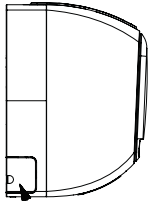
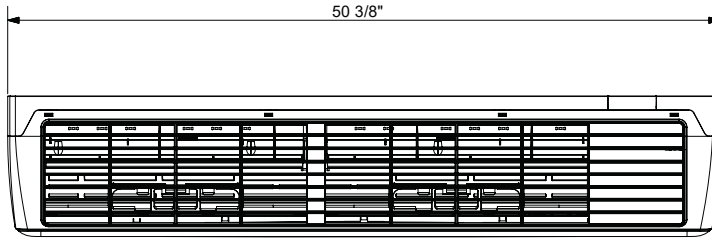
10 years compressor, 10 years parts, 1 year limited labor (conditions apply)

Certified in accordance with the AHRI Unitary Small Air-Source Heat Pumps (USHP) Certification Program which is based on the latest edition of AHRI Standard 210/240.
 Samsung HVAC maintains a policy of ongoing development, specifications are subject to change without notice.
 Refer to www.AHRIdirectory.org for current reference numbers.

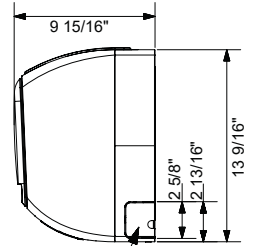
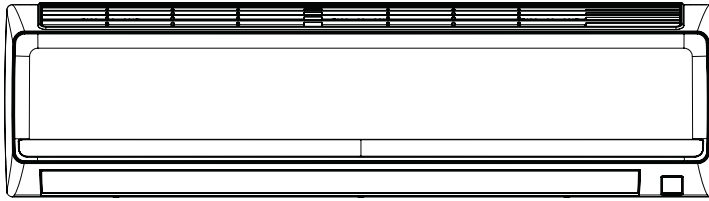
Optional Accessories

Wired Controller	Simplified Touch Controller	MWR-SH11UN
	Advanced Wired Controller	MWR-WG00UN
Condensate pump	Aspen Mini Orange	ASP-MO-UNIV 110-250
	Blue Diamond	BD-BLUE230
Wi-Fi Adapter		MIM-H04UN
External Temperature Sensor		MRW-TA
External Contact Control		MIM-B14
Wall Bracket (for outdoor unit)		CKN-250
Wind Baffles	Front	WBF-1M2
	Back	WBB-2M-B
Line Sets - insulated and flared, interconnect cables included		25' - ILS-2510
		50' - ILS-5010
Thermostat Adaptor (for connection to a standard 24VAC thermostat)		MIM-A60UN

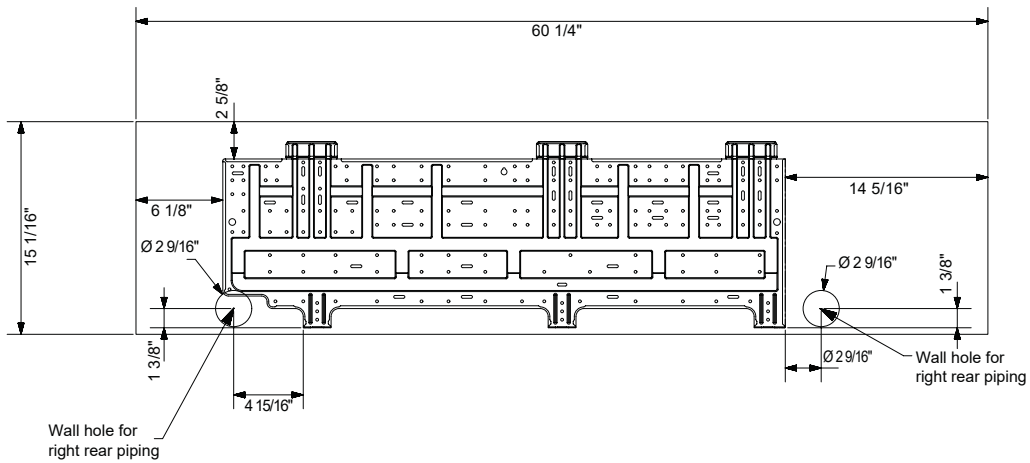
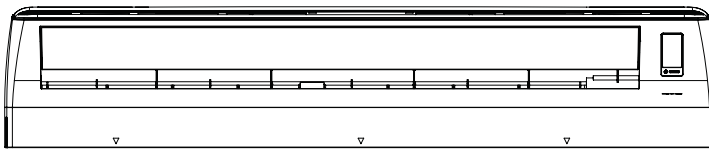
Samsung, High-Wall Evaporator, Split System
AC036MNTDCH/AA Dimensional Drawing



Knockout hold for left piping



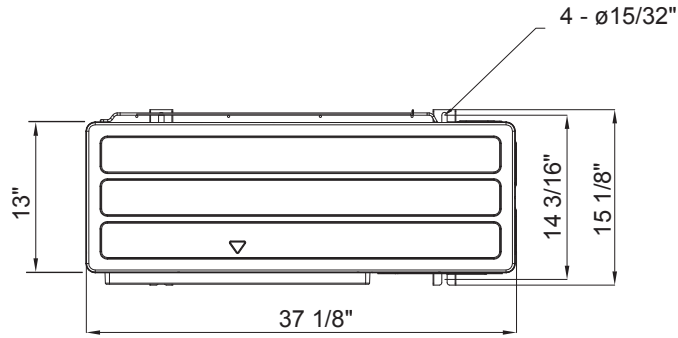
Knockout hole for right piping



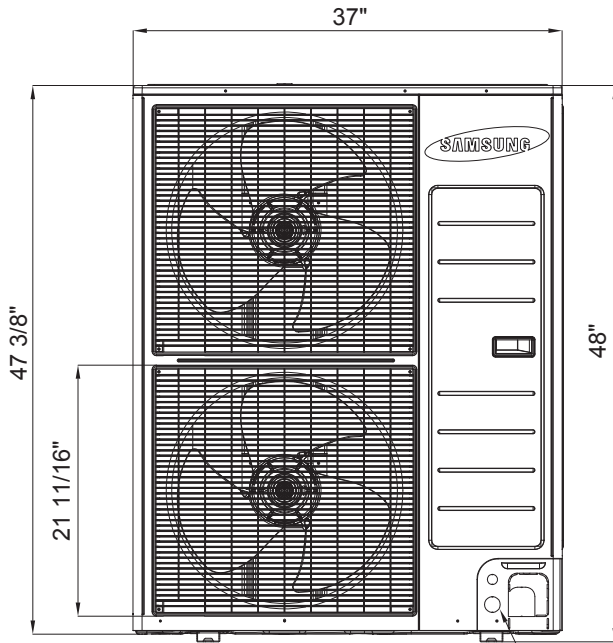
Wall hole for right rear piping

Wall hole for right rear piping

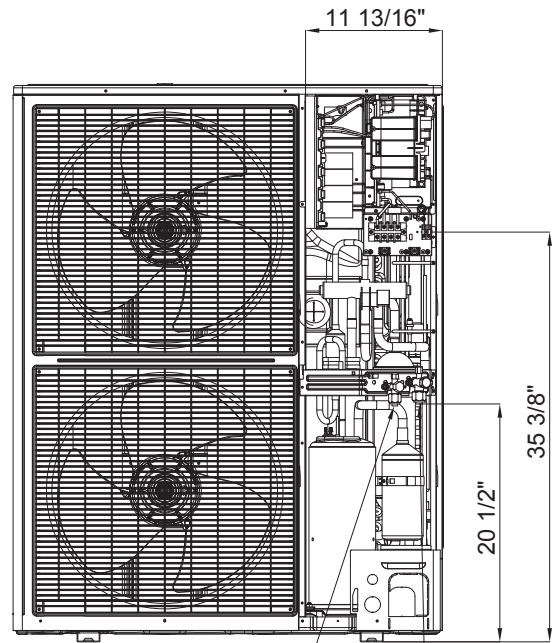
No.	Name	Description
1	Liquid pipe connection	3/8"
2	Gas pipe connection	5/8"
3	Drain pipe connection	1 1/16" OD
4	Power supply & Communication wiring conduit	-



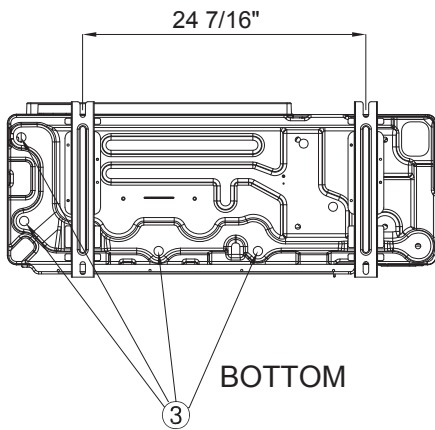
TOP



FRONT



FRONT WITHOUT SERVICE COVER



BOTTOM

No.	Description
1	Suction service valve
2	Liquid service valve
3	Drainage hole
4	Power and communication conduit openings