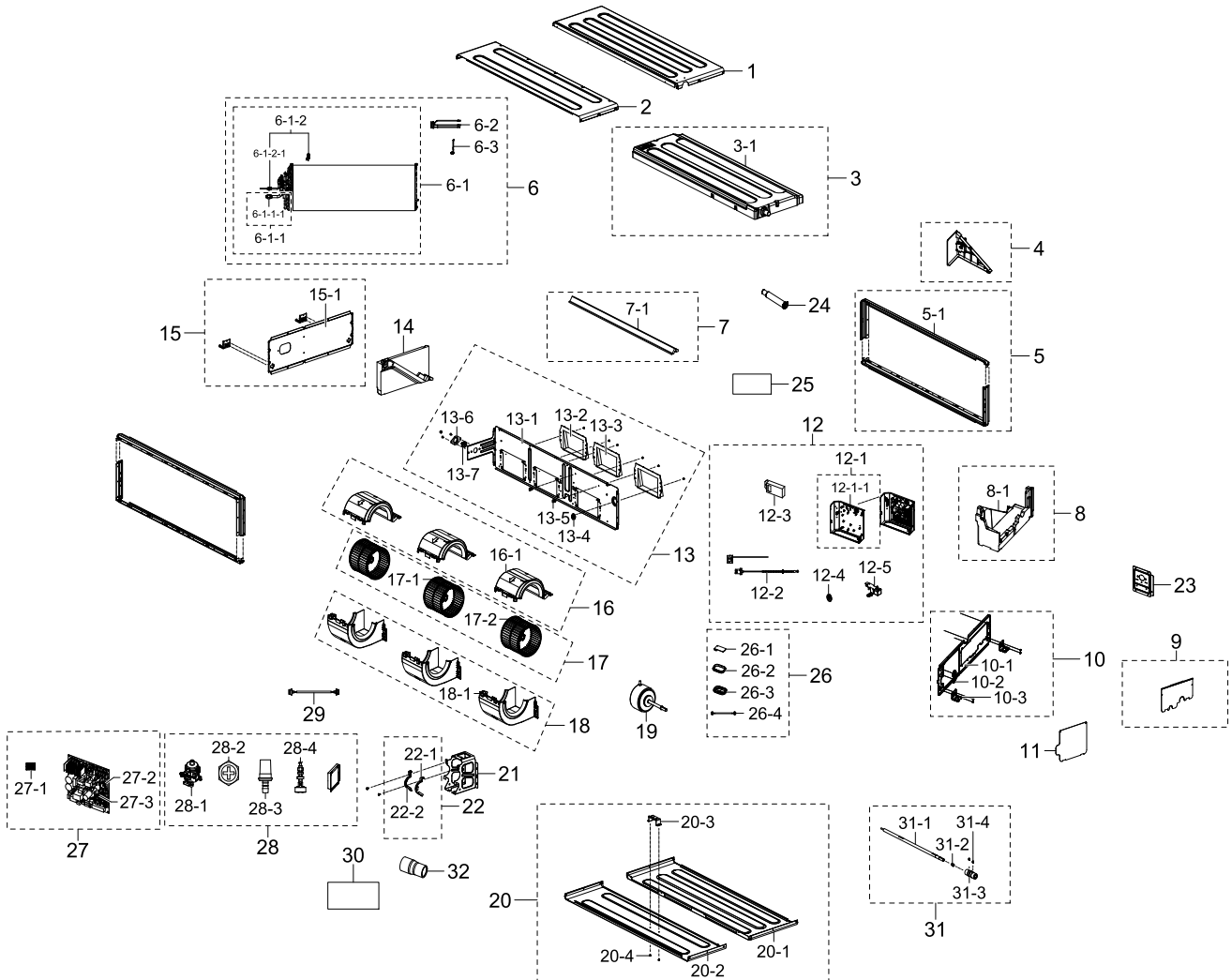


# 1. AC024DNHDCG/AA

AC024DNHDCG/AA

## Exploded View



## Parts List

No.	Lvl.	Loc.	Material Code	Description & Specification	SNA	Qty.
1	3		DB90-08305B	ASSY CABI BOTTOM-COND; 4MUD4524B10N0A,SSE	SA	1
2	3		DB64-03021A	CABINET-BOTTOM FAN; GLOBAL DUCT,GI-SGCC,T	SA	1
3	3	A2303	DB94-04348B	ASSY TRAY DRAIN; GD2 DUCT,DRAIN PUMP BUIL	SA	1
3-1	4	A0839	DB94-04191A	ASSY-CUSHION DRAIN; GLOBAL DUCT,ASSY	SNA	1
4	3		DB90-08063B	ASSY SUPPORT-EVAP; global duct,GD1 & 2,ASSY	SA	1
5	3	A0165	DB90-07909A	ASSY CABINET-FRAME; Global Duct,SSEC	SA	1
5-1	4		DB64-03041A	CABINET FRAME; Global Duct,GI-SGCC,T1,-,-	SNA	2
6	2		DB96-25805B	ASSY EVAP-MODULE; AC024BNHDCH/AA,ASSY	SNA	1
6-1	3	A1019	DB96-25804B	ASSY EVAP-MAIN; AC024BNHDCH/AA,ASSY	SA	1

Exploded Views and Parts List

No.	Lvl.	Loc.	Material Code	Description & Specification	SNA	Qty.
6-1-1	4	A2356	DB96-25803B	ASSY TUBE EVAP-OUT; AC024BNHDCH/AA,ASSY	SNA	1
6-1-1-1	5		DB60-30010D	FASTENER-NUT FLARE; -,BRASS,-,-,-,-,-,-,-	SA	1
6-1-2	4	A2355	DB96-25802A	ASSY TUBE EVAP-IN; AC018BNHDCH/AA,ASSY	SNA	1
6-1-2-1	5		DB60-30010A	FASTENER-NUT FLARE; -,BRASS,-,-,-,1/4"	SA	1
6-2	3		DB95-05011A	ASSY THERMISTOR IN-EVA IN OUT; SMH200-06H	SA	1
6-3	3	S0242	DB81-00635A	SPRING ETC-SENSOR; DVM-SYSTEM,STS304,ID2.	SA	2
7	3		DB98-34886A	ASSY CUSHION-FRONT; Global Duct,SSEC	SNA	1
7-1	4		DB62-11618A	SEAL CUSHION-FRONT; EPS,-,-,L993,-,LG422,	SNA	1
8	3		DB98-34885A	ASSY CUSHION RIGHT; Global Duct,SSEC	SNA	1
8-1	4		DB62-11621A	SEAL CUSHION-RIGHT; EPS,-,-,L392.7,-,LG42	SNA	1
9	3	A0797	DB90-07905B	ASSY COVER-PIPE; AC052DNMDKF/TS,ASSY	SA	1
10	3		DB90-07904A	ASSY CABI SIDE-RIGHT; Global Duct,SSEC	SA	1
10-1	4		DB64-03037A	CABINET SIDE-RIGHT; Global Duct,GI-SGCC,T	SNA	1
10-2	4		DB73-00270A	RUBBER-COVER WIRE B; MH020FDEZ,CHLOROPREN	SNA	2
10-3	4	S0073	DB61-05998A	SUPPORT; GLOBAL DUCT,GI-SGCC,T2,-,-,-,-	SNA	2
11	3		DB63-03544A	COVER CONTROL; Global Duct,GI-SGCC,T0.8	SA	1
12	3		DB90-12957E	ASSY CASE PCB; AC052DNMDKF/TS,ASSY	SA	1
12-1	4		DB90-11460B	ASSY CASE CONTROL; AC052DNMDKF/TS,ASSY	SA	1
12-1-1	5	C0230	DB61-07402C	CASE CONTROL; AC071DNMDKC/TS,GI-SGCC,T0.7	SA	1
12-2	4		DB95-05009D	ASSY THERMISTOR;AC,250,10,±3,25,-	SA	1
12-3	4		DB32-00241C	SENSOR HUMIDITY; 5V,90%RH,AC,5%,600mm,4P	SA	1
12-4	4		DB73-00270A	RUBBER-COVER WIRE B; MH020FDEZ,CHLOROPREN	SNA	1
12-5	4		DB61-08089A	HOLDER SENSOR; AC160DNMDKF/TS,PP,-,NATURA	SA	1
13	3	A1748	DB94-04344D	ASSY PARTITION; AM100ANHDBH1,ASSY	SA	1
13-1	4	P0042	DB67-01423C	PARTITION; AM100ANHDBH1,GI-SGCC,T1.2,-,-,-,	SNA	1
13-2	4		DB61-05904A	CASE BLOWER-OUT; AC024HBMDKD/TC,HIPS,T2.5	SA	3
13-3	4	S0025	6002-000643	SCREW-TAPPING; SWRCH18A,ZPC(WHT),L10,M4,T	SNA	8
13-4	4		DB63-02966A	HOLDER WIRE; Global Duct,CHLOROPRENE RUBB	SNA	1
13-5	4	W0083	DB71-00058A	WIRE-SADDLE; PA66,WHITE,ID22.5	SNA	5
13-6	4		DB67-00581A	CAP-BEARING; EH140EZMC,CR-SPCC,T0.6,-,-,-,-	SA	1
13-7	4		DB94-00759A	ASSY-MOLD BEARING; SLIM DUCT 3,SSEC	SA	1
14	3		DB62-11725A	SEAL CUSHION-LEFT; EPS,T30,W30,L392.7,-,L	SNA	1
15	3		DB90-07903A	ASSY CABI SIDE-LEFT; Global Duct,SSEC	SA	1
15-1	4		DB64-03034B	CABINET SIDE-LEFT; Global Duct,GI-SGCC,T0	SNA	1
16	2		DB90-07916A	ASSY CASE FAN-BOTTOM; Global Duct,SSEC	SA	3
16-1	3		DB61-05902A	CASE BLOWER-BOTTOM; HIPS,T2,NATURAL,HI650	SNA	3
17	3	A0129	DB94-04138A	ASSY BLOWER; AC-F410G,180PI	SA	3
17-1	4	B0193	DB67-01419A	BLOWER; ABS+GF10%,-,ABSG10,180,NATURAL	SNA	3
17-2	4	B0256	DB60-20011A	BOLT-SPECIAL; -,-,-,L10,-,M6,-,-,-,-	SA	3
18	2		DB90-07917A	ASSY CASE FAN-TOP; Global Duct,SSEC	SA	3

No.	Lvl.	Loc.	Material Code	Description & Specification	SNA	Qty.
18-1	3		DB61-05903A	CASE BLOWER-TOP; HIPS,T2.5,NATURAL,HI650,	SNA	3
19	3		DB31-00640C	MOTOR BLDC FAN; SIC-70CW-F1153-3S,1200RPM	SA	1
20	3		DB90-07907C	ASSY CABI TOP; MDDD018S6-1P,Lennox model	SA	1
20-1	4		DB64-03028B	CABINET FRONT-UP; 4MUD4524B10N0A,GI-SGCC,	SNA	1
20-2	4		DB64-03020A	CABINET-TOP FAN; GLOBAL DUCT,GI-SGCC,T0.6	SNA	1
20-3	4		DB61-05994A	SUPPORT-LOW; GLOBAL DUCT,GI-SGCC,T1.8,-,-	SNA	1
20-4	4	S0025	6002-000239	SCREW-TAPPING; SWRCH18A,ZPC(WHT),L8,M4,TH	SNA	7
21	3	B0516	DB61-05970B	BRACKET MOTOR; AC018MNHDC/AA,GI-SGCC,T1.	SA	1
22	2	A1348	DB90-11943A	ASSY HOLDER-MOTOR; DVM,ASSY HOLDER-MOTOR,	SA	1
22-1	3	H0256	DB61-05983A	HOLDER-MOTOR; GLOBAL DUCT,GI-SGCC,T2,L155	SA	1
22-2	3	H0256	DB61-05984A	HOLDER-MOTOR; GLOBAL DUCT,GI-SGCC,T2,L155	SA	1
23	4	C1236	DB63-03654A	COVER-DRAIN; GD DUCT,GI-SGCC,T1,-,-,-,-	SNA	1
24	3		DB94-06964B	ASSY DRAIN HOSE; L160,Y,PVC	SNA	1
25	2		DB62-11712B	SEAL CUSHION-IN; EPS,-,W200,-,LG422,NATUR	SNA	1
26	2		DB90-11882U	ASSY CASE PCB; AC018DNHDCG/AA,Global duct	SA	1
26-1	3		4709-003260	W-LAN MODULE; CCAR210R,SDA8700CSM,IEEE802	SA	1
26-2	3	C0187	DB61-07592A	CASE-BOTTOM; Wi-Fi,ABS,T1.5,L66,DA WHITE,	SA	1
26-3	3	C0429	DB61-07593A	CASE-TOP; Wi-Fi,ABS,T1.5,L66,DA WHITE,HG-	SA	1
26-4	3		DB93-17392E	ASSY CONNECTOR WIRE-DC SIGNAL; 5,2095,26,	SA	1
27	3	A1767	DB92-05571A	ASSY PCB MAIN-IN; HW,INDOOR,CAC GD PND,19	SA	1
27-1	4	T0174	DB37-00026A	TERMINAL BLOCK; DAPC 3013-2P-M,MELAMINE,3	SA	1
27-2	4	A0694	DB92-04020A	ASSY PCB SUB; HW,SUB,20*25,Indoor EEPROM,	SA	1
27-3	4		DB92-02793B	ASSY FUNCTION; COMM,R290 EHS,2Line Sub (E	SA	1
28	3		DB94-05032A	ASSY DRAIN PUMP; MDP-G075SQ,Global Duct B	SA	1
28-1	4		DB31-00649M	PUMP DRAIN; 400cc/min,-,1200mm,UL224,L665	SA	1
28-2	4	S0019	DB60-00150A	SCREW-SPECIAL; HWH,M4,L26,ZPC(WHT),SWRCH1	SA	2
28-3	4	D0105	DB67-01174A	DRAIN HOSE-SOCKET; CH140EAMC,POM,INNER WH	SA	1
28-4	4	S0205	DB95-04462D	SWITCH FLOAT; 70mm,3.4mm,660mm,SMH250-02L	SA	1
29	3		DB93-17392F	ASSY CONNECTOR WIRE-DC SIGNAL; 5,2095,26,	SA	1
30	3		DB90-07909B	ASSY CABI IN-FRAME; Global Duct 2,SSEC	SA	1
31	2		DB90-07867A	ASSY SUPPORT-FAN; GLOBAL-DUCT	SA	1
31-1	3		DB73-00285A	RUBBER-SHAFT; SLIM DUCT-3,NBR,SSEC	SA	1
31-2	3		DB96-04902A	ASSY-COUPLER; SLIM DUCT 2,SSEC	SA	1
31-3	3		DB61-06070A	SUPPORT-FAN; CAC,STS304,T0.5,-,SSEC,-,-	SNA	1
31-4	3	B0256	DB60-20011A	BOLT-SPECIAL; -,-,-,L10,-,M6,-,-,-,-	SA	2
32	3	H0231	DB61-06904A	HOLDER-HOSE; CAC MAX 4,PVC,T3.5,D32.43,BL	SA	1