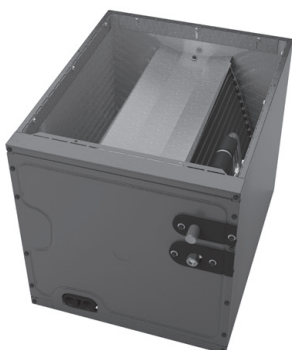




CAPTA – Cased with Internal TXV



CSCT – Cased with Internal TXV



CAPFA cased



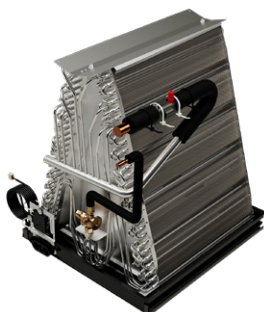
CHPTA – Cased with Internal TXV



CHPEA  
Horizontal "A" with EEV



CAPEA  
Cased with internal EEV



CAUTA  
Uncased with TXV



CAHEA  
Cased with internal EEV

### CAPEA, CHPEA, CAPFA, CAPTA, CHPTA, CSCT, CAUTA AND CAHEA PAINTED UPFLOW/DOWNFLOW, HORIZONTAL "A" AND HORIZONTAL SLAB

#### R32

#### Standard Features

- All-Aluminum evaporator coil
- Optimized for use with R-32 refrigerant including circuits and manifolds
- R-32 sensor designed for the life span of the coil
- CAPTA, CHPTA CAUTA models feature factory-installed thermal expansion valves for cooling and heat pump applications
- CSCT models feature a factory-installed thermal expansion valve for cooling applications
- CAPEA and CHPEA models feature:
  - Factory-installed electronic expansion valve (EEV) for precise refrigerant control
  - Compatibility with Daikin One+ smart thermostat and other Daikin communicating equipment
  - Cooling and heat pump applications
  - Fault recall of six most recent faults
- CAPFA models feature optimized metering devices (piston)
- Standardized copper suction tube stub length
- Vertical and horizontal models available
- 21" depth for easier attic access
- CAPFA, CAPTA, CHPTA, CAPEA and CHPEA include single front access panel
- Foil-faced insulation covers the internal casing to reduce cabinet condensation
- Galvanized, leather grain-embossed finish
- Rust resistant, thermoplastic drain pans featuring a low water-retention design
- DecaBDE-free thermoplastic drain pan with secondary drain connections
- Drain pan rails designed to remove and reposition coils with ease without compromising structural integrity
- UV-resistant drain pan
- AHRI certified; ETL listed



**Note:** Do not use these coils on oil furnaces or any applications where the temperature on the drain pan may exceed 300° F. If these coils are applied with an oil furnace or another application where high temperatures threaten or jeopardize the durability of the drain pan, you must replace the factory-installed drain pan with a high-temperature drain pan. High-temperature drain pan kits are available as field-installed accessories.



\* Complete warranty details available from your local dealer or at [www.goodmanmfg.com](http://www.goodmanmfg.com). To receive the 10-Year Parts Limited Warranty, online registration must be completed within 60 days of installation. Online registration and some of the additional requirements are not required in Florida, California, or Québec. The duration of warranty coverage in Texas and Florida differs in some cases. Other limitations and exclusions apply; refer to complete warranty details for a full list of limitations and exclusions.



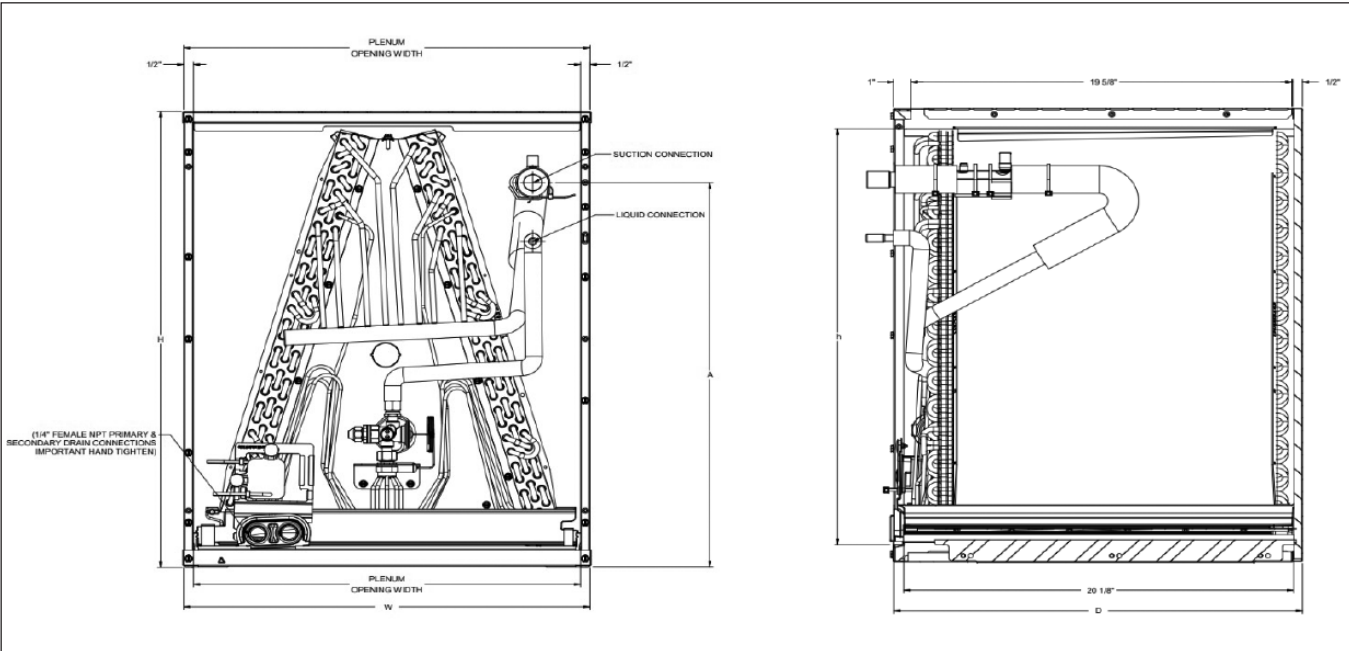
# CAPTA — CASED UPFLOW/DOWNFLOW INDOOR COILS

## SPECIFICATIONS

MODEL	CABINET DIMENSIONS			NOMINAL TONS	CONNECTION		SHIP WEIGHT (LBS)
	W	D	H		LIQUID	SUCTION	
CAPTA1818A3	14"	21"	18"	1½	⅜"	¼"	30
CAPTA1818B3	17½"	21"	18"	1½	⅜"	¼"	35
CAPTA2422A3	14"	21"	22"	1½ - 2	⅜"	¼"	37
CAPTA2422B3	17½"	21"	22"	1½ - 2	⅜"	¼"	40
CAPTA2422C3	21"	21"	22"	1½ - 2	⅜"	¼"	43
CAPTA3022A3	14"	21"	22"	2 - 2½	⅜"	¼"	37
CAPTA3022B3	17½"	21"	22"	2 - 2½	⅜"	¼"	40
CAPTA3022C3	21"	21"	22"	2 - 2½	⅜"	¼"	43
CAPTA3026B3	17½"	21"	26"	1½ - 2½	⅜"	⅝"	46
CAPTA3026C3	21"	21"	26"	1½ - 2½	⅜"	⅝"	51
CAPTA3626B3	17½"	21"	26"	2 - 3	⅜"	⅝"	48
CAPTA3626C3	21"	21"	26"	2 - 3	⅜"	⅝"	51
CAPTA4230C3	21"	21"	30"	2½ - 3½	⅜"	⅝"	66
CAPTA4230D3	24½"	21"	30"	2½ - 3½	⅜"	⅝"	70
CAPTA6030C3	21"	21"	30"	3½ - 5	⅜"	⅝"	66
CAPTA6030D3	24½"	21"	30"	3½ - 5	⅜"	⅝"	70
CAPTA6034C3	21"	21"	34"	4 - 5	⅜"	⅝"	77
CAPTA6034D3	24.5"	21"	34"	4 - 5	⅜"	⅝"	80

**Note:** For a properly matched system and piston sizing information, refer to Daikin piston kit chart of the corresponding Daikin outdoor unit.

## DIMENSIONS



# CHPTA— CASED HORIZONTAL INDOOR COILS

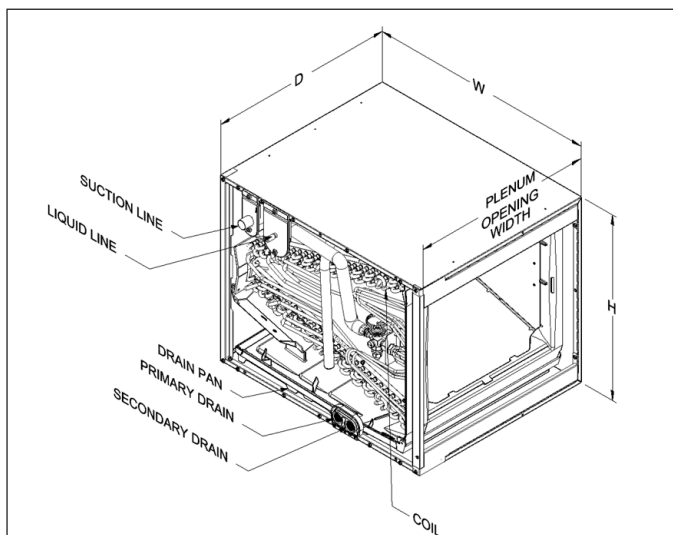
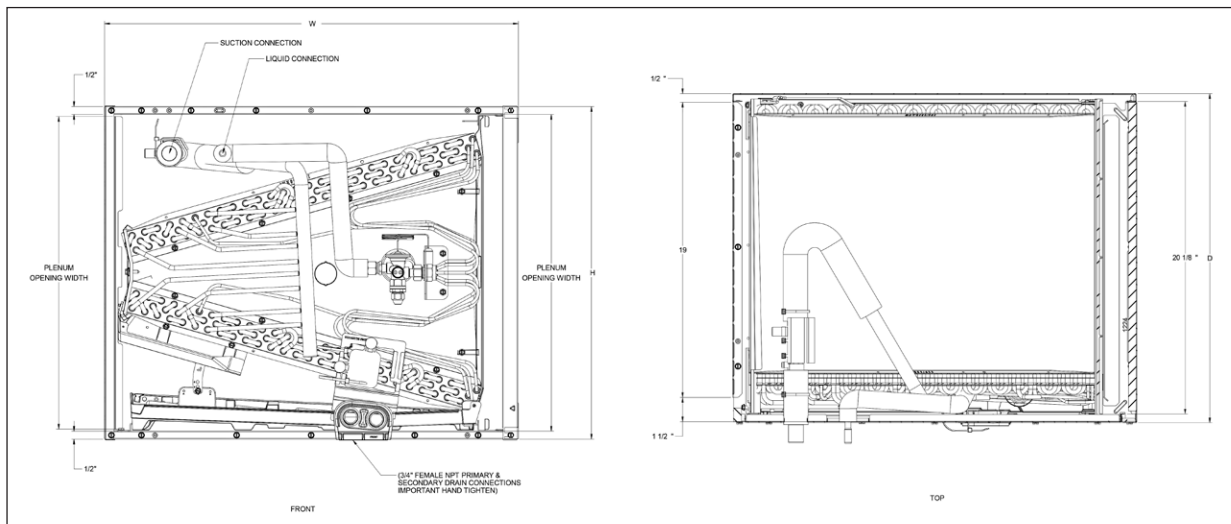


## SPECIFICATIONS

MODEL	CABINET DIMENSIONS			NOMINAL TONS	CONNECTION		SHIP WEIGHT (LBS)
	W	D	H		LIQUID	SUCTION	
CHPTA1822A3	22"	21"	14"	1½	¾"	¾"	46
CHPTA1822B3	22"	21"	17½"	1½	¾"	¾"	50
CHPTA2426B3	26"	21"	17½"	1½ - 2	¾"	7⁄8"	55
CHPTA2426C3	26"	21"	21"	1½ - 2	¾"	7⁄8"	57
CHPTA3026B3	26"	21"	17½"	2 - 2½	¾"	7⁄8"	59
CHPTA3026C3	26"	21"	21"	2 - 2½	¾"	7⁄8"	62
CHPTA3630B3	30"	21"	17½"	2½ - 3	¾"	7⁄8"	66
CHPTA3630C3	30"	21"	21"	2½ - 3	¾"	7⁄8"	70
CHPTA4230C3	30"	21"	21"	2½ - 3½	¾"	7⁄8"	70
CHPTA4830C3	30"	21"	21"	3½ - 4	¾"	7⁄8"	78
CHPTA6030D3	30"	21"	24½"	4 - 5	¾"	7⁄8"	82

**Note:** For a properly matched system and piston sizing information, refer to Daikin piston kit chart of the corresponding Daikin outdoor unit.

## DIMENSIONS



**CAPFA—CASED UPFLOW/DOWNFLOW INDOOR COILS**

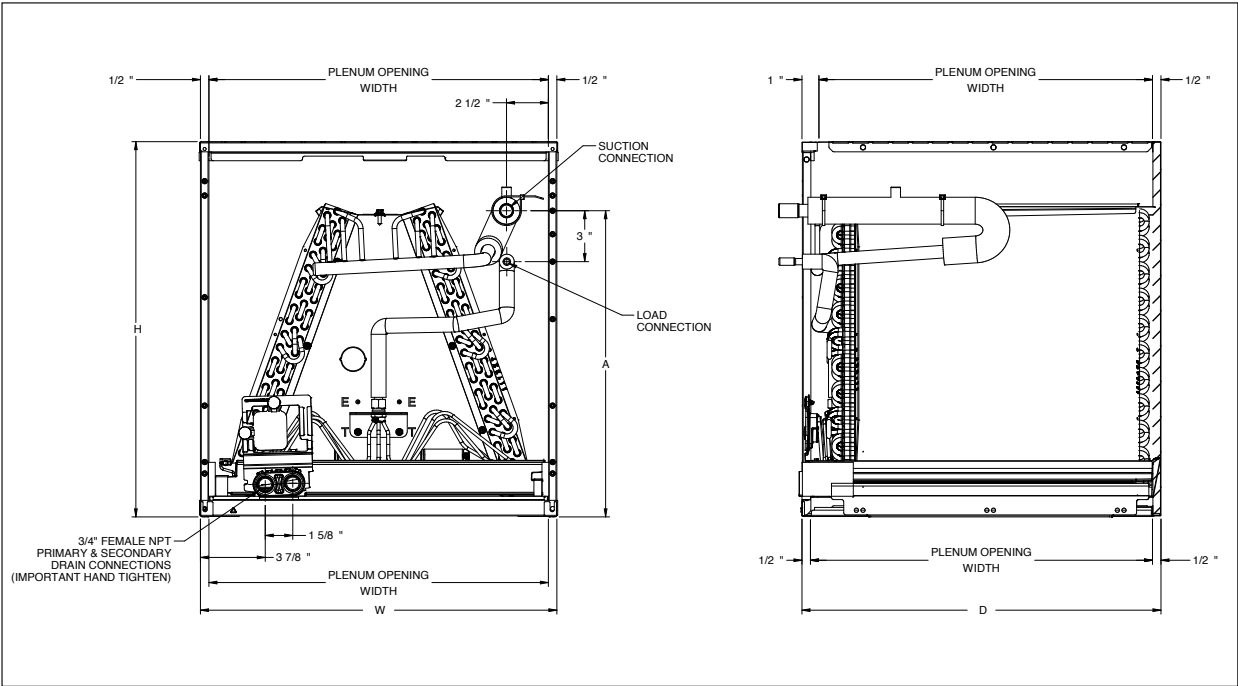


**SPECIFICATIONS**

MODEL	CABINET DIMENSIONS				NOMINAL TONS	CONNECTION		SHIP WEIGHT (LBS)
	W	D	H	A		LIQUID	SUCTION	
CAPFA1818A3	14"	21"	18"	14"	1½	¾"	¾"	28
CAPFA1818B3	17½"	21"	18"	15½"	1½	¾"	¾"	34
CAPFA1818C3	21"	21"	18"	14"	1½	¾"	¾"	43
CAPFA2422A3	14"	21"	22"	18"	2	¾"	¾"	42
CAPFA2422B3	17½"	21"	22"	18"	2	¾"	¾"	42
CAPFA2422C3	21"	21"	22"	18"	2	¾"	¾"	42
CAPFA3022A3	14"	21"	22"	18"	2½	¾"	¾"	36
CAPFA3022B3	17½"	21"	22"	18"	2½	¾"	¾"	42
CAPFA3022C3	21"	21"	22"	18"	2½	¾"	¾"	42
CAPFA3022D3	24½"	21"	22"	18"	2½	¾"	¾"	53
CAPFA3626B3	17½"	21"	26"	22"	3	¾"	7⁄8"	46
CAPFA3626C3	21"	21"	26"	22"	3	¾"	7⁄8"	50
CAPFA3626D3	24½"	21"	26"	22"	3	¾"	7⁄8"	61
CAPFA4226B3	17½"	21"	26"	22"	3½	¾"	7⁄8"	46
CAPFA4226C3	21"	21"	26"	22"	3½	¾"	7⁄8"	50
CAPFA4226D3	24½"	21"	26"	22"	3½	¾"	7⁄8"	61
CAPFA6030C3	21"	21"	30"	26"	4	¾"	7⁄8"	66
CAPFA6030D3	24½"	21"	30"	26"	5	¾"	7⁄8"	69

**Note:** For a properly matched system and piston sizing information, refer to Daikin piston kit chart of the corresponding Daikin outdoor unit.

**DIMENSIONS**



# CAPEA— CASED UPFLOW/DOWNFLOW INDOOR COILS

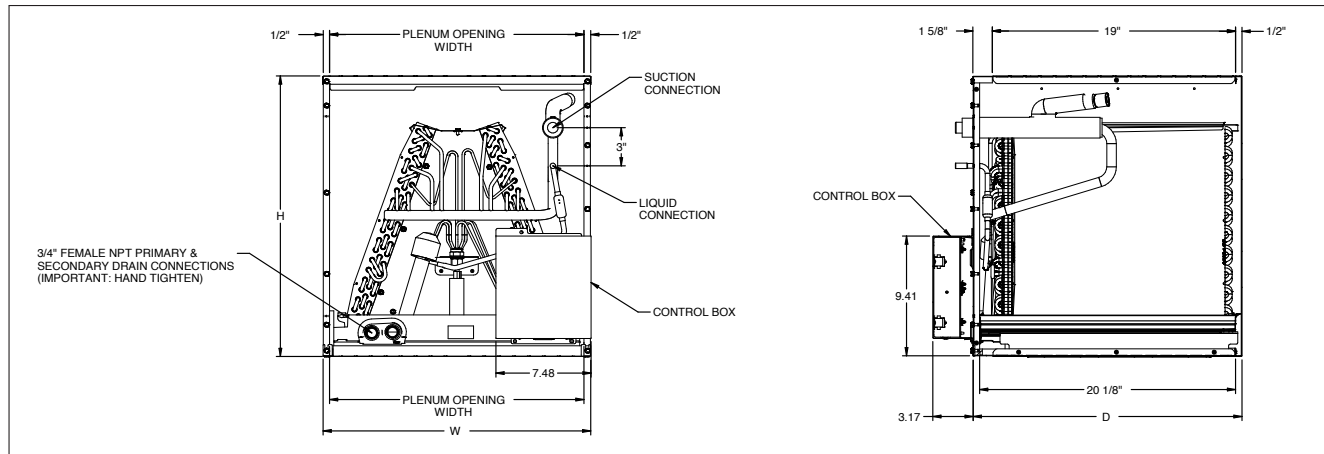


## SPECIFICATIONS

MODEL	CABINET DIMENSIONS			NOMINAL TONS	CONNECTION		SHIP WEIGHT (LBS)
	W	D	H		LIQUID	SUCTION	
CAPEA2418B3	17½"	21	18	2	5/16" or 3/8"	5/8" or 3/4"	43
CAPEA2418C3	21	21	18	2	5/16" or 3/8"	5/8" or 3/4"	45
CAPEA3022B3	17½"	21	22	2½	5/16" or 3/8"	3/4" or 7/8"	48
CAPEA3022C3	21	21	22	2½	5/16" or 3/8"	3/4" or 7/8"	51
CAPEA3626B3	17½"	21	26	3	5/16" or 3/8"	3/4" or 7/8"	54
CAPEA3626C3	21	21	26	3	5/16" or 3/8"	3/4" or 7/8"	57
CAPEA3626D3	24½"	21	26	3	5/16" or 3/8"	3/4" or 7/8"	62
CAPEA4830C3	21	21	30	4	3/8"	7/8" or 1½"	68
CAPEA4830D3	24½"	21	30	4	3/8"	7/8" or 1½"	70
CAPEA6030C3	21	21	30	5	3/8"	7/8" or 1½"	75
CAPEA6030D3	24½"	21	30	5	3/8"	7/8" or 1½"	78

**Note:** For a properly matched system and piston sizing information, refer to Daikin piston kit chart of the corresponding Daikin outdoor unit.

## DIMENSIONS



# CHPEA— CASED HORIZONTAL INDOOR COILS

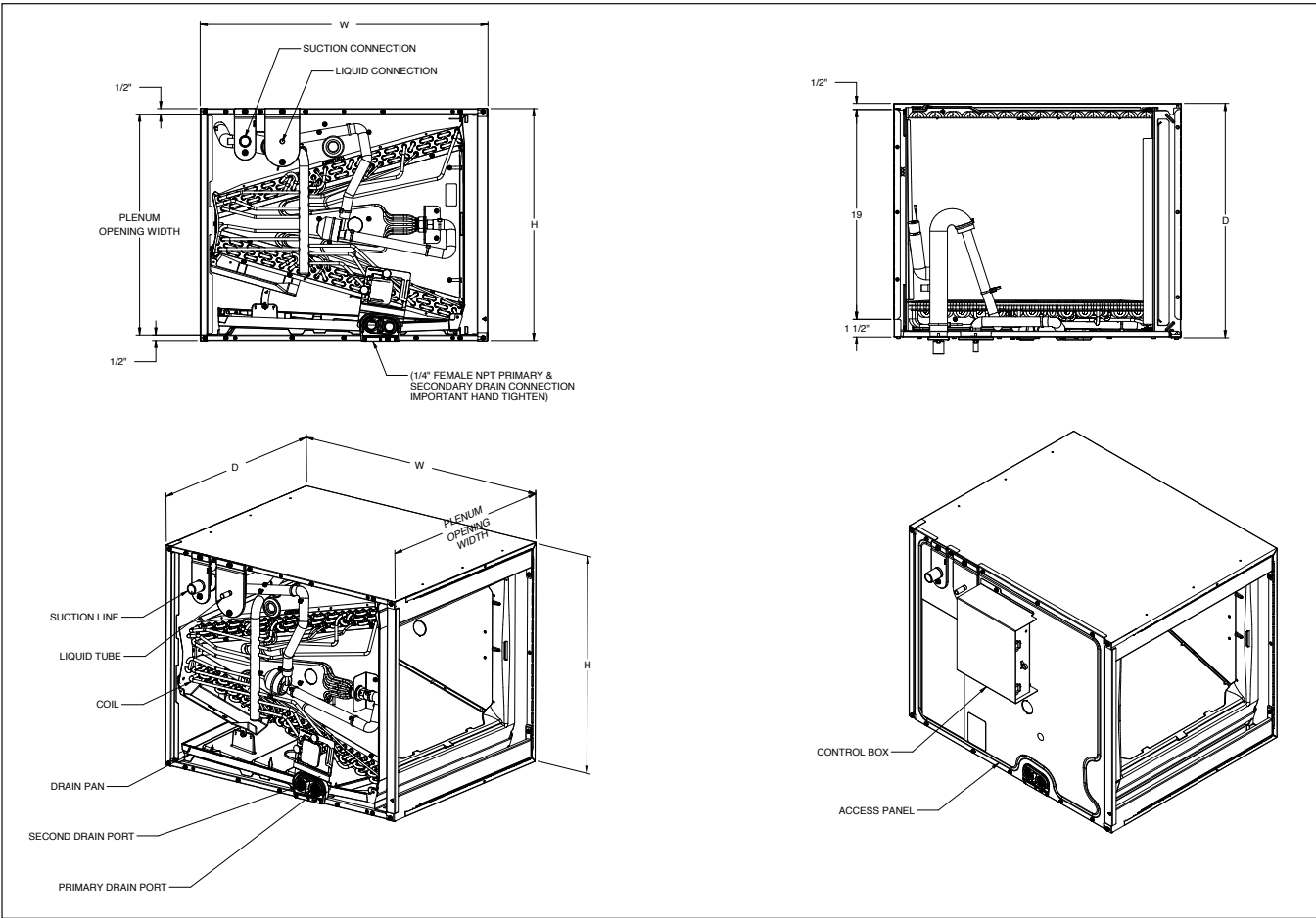


## SPECIFICATIONS

MODEL	CABINET DIMENSIONS			NOMINAL TONS	CONNECTION		SHIP WEIGHT (LBS)
	W	D	H		LIQUID	SUCTION	
CHPEA2422B3	22"	21"	17½"	2	5/16" or 3/8"	5/8" or 3/4"	56
CHPEA3026B3	26"	21"	17½"	2½	5/16" or 3/8"	3/4" or 7/8"	63
CHPEA3026C3	26"	21"	21"	2½	5/16" or 3/8"	3/4" or 7/8"	67
CHPEA3626B3	26"	21"	17½"	3	5/16" or 3/8"	3/4" or 7/8"	68
CHPEA3626C3	26"	21"	21"	3	5/16" or 3/8"	3/4" or 7/8"	70
CHPEA4830C3	30"	21"	21"	4	3/8"	7/8" or 1½"	76
CHPEA4830D3	30"	21"	24½"	4	3/8"	7/8" or 1½"	78
CHPEA6030D3	30"	21"	21"	5	3/8"	7/8" or 1½"	76
CHPEA6030C3	30"	21"	24½"	5	3/8"	7/8" or 1½"	78

**Note:** For a properly matched system and piston sizing information, refer to Daikin piston kit chart of the corresponding Daikin outdoor unit.

## DIMENSIONS



# CSCT— CASED HORIZONTAL SLAB INDOOR COILS

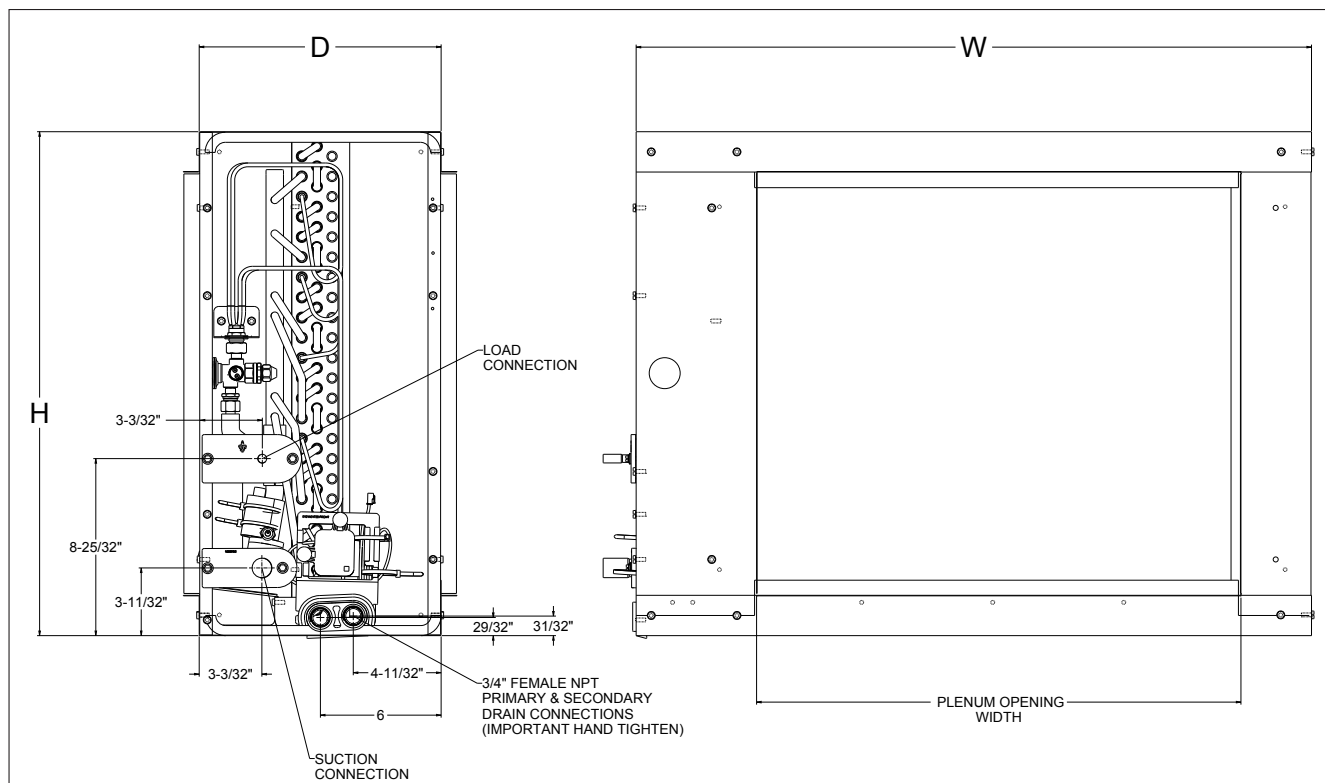


## SPECIFICATIONS

MODEL	CABINET DIMENSIONS			PLENUM OPENING		NOMINAL TONS	COIL DIMENSIONS		SERVICE VALVE		SHIP WEIGHT (LBS)
	W	D	H	W	H		W	H	LIQUID	SUCTION	
CSCT2412S3	25½"	12"	25"	16"	21"	1½-2	20"	24"	¾"	¾"	35
CSCT3012M3	33½"	12"	25"	24"	21"	2-2½	28"	24"	¾"	7⁄8"	42
CSCT3612L3	39½"	12"	25"	30"	21"	2½-3	34"	24"	¾"	7⁄8"	53
CSCT6012L3	39½"	12"	25"	30"	21"	4-5	34"	24"	¾"	7⁄8"	58

**Note:** For a properly matched system and piston sizing information, refer to Daikin piston kit chart of the corresponding Daikin outdoor unit.

## DIMENSIONS



**CAUTA — Uncased with TXV**

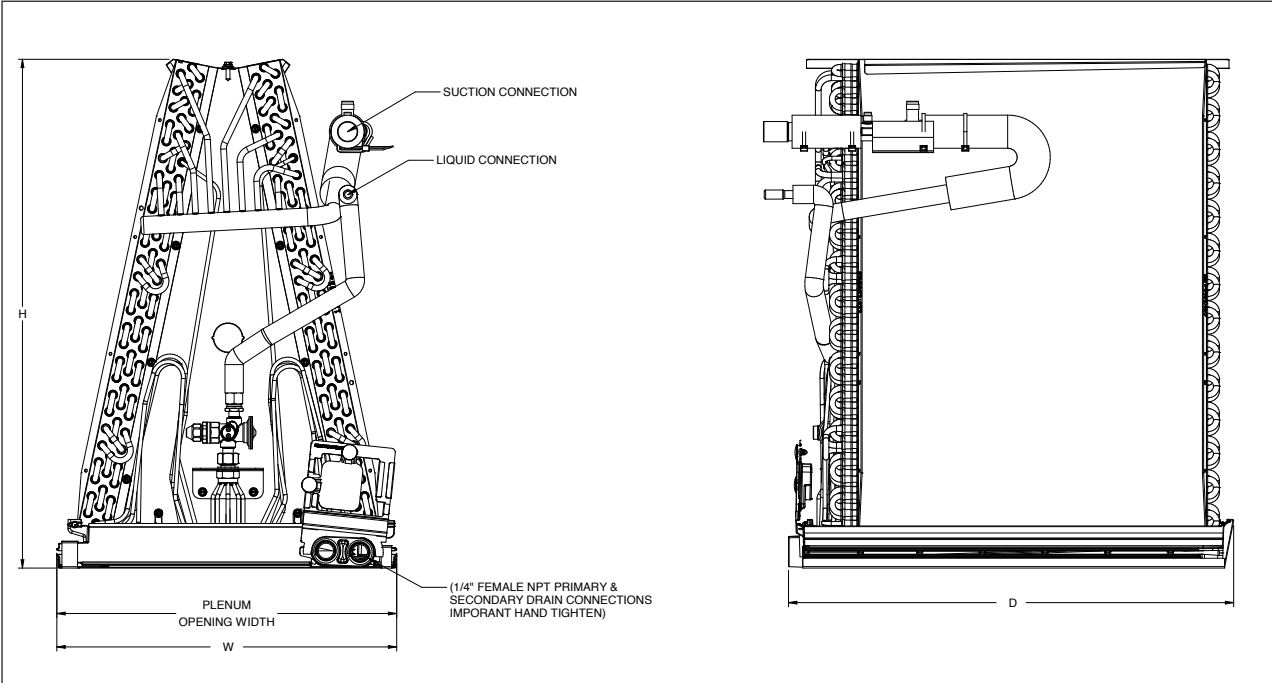


**SPECIFICATIONS**

MODEL	CABINET DIMENSIONS			NOMINAL TONS	CONNECTION		SHIP WEIGHT (LBS)
	W	D	H		LIQUID	SUCTION	
CAUTA1818A3	13"	21½"	15"	1½	⅜"	¼"	22
CAUTA1818B3	16½"	21½"	15"	1½	⅜"	¼"	24
CAUTA2422A3	13"	21½"	18½"	1½ - 2	⅜"	¼"	25
CAUTA2422B3	16½"	21½"	18½"	1½ - 2	⅜"	¼"	28
CAUTA2422C3	20"	21½"	18½"	1½ - 2	⅜"	¼"	30
CAUTA3022A3	13"	21½"	18½"	2 - 2½	⅜"	¼"	25
CAUTA3022B3	16½"	21½"	18½"	2 - 2½	⅜"	¼"	28
CAUTA3022C3	20"	21½"	18½"	2 - 2½	⅜"	¼"	30
CAUTA3026B3	16.5"	21½"	22½"	1½ - 2½	⅜"	⅞"	30
CAUTA3026C3	20"	21½"	22½"	1½ - 2½	⅜"	⅞"	34
CAUTA3626B3	16½"	21½"	24½"	2 - 3	⅜"	⅞"	33
CAUTA3626C3	20"	21½"	23 <sup>9</sup> / <sub>10</sub> "	2 - 3	⅜"	⅞"	35
CAUTA4230C3	20"	21½"	27½"	2½ - 3½	⅜"	⅞"	38
CAUTA4230D3	23½"	21½"	27 <sup>1</sup> / <sub>10</sub> "	2½ - 3½	⅜"	⅞"	40
CAUTA6030C3	20"	21½"	27½"	3½ - 5	⅜"	⅞"	43
CAUTA6030D3	23½"	21½"	27½"	3½ - 5	⅜"	⅞"	46

**Note:** For a properly matched system and piston sizing information, refer to Daikin piston kit chart of the corresponding Daikin outdoor unit.

**DIMENSIONS**



# CAHEA — MULTI-POSITION COLD CLIMATE INDOOR COILS

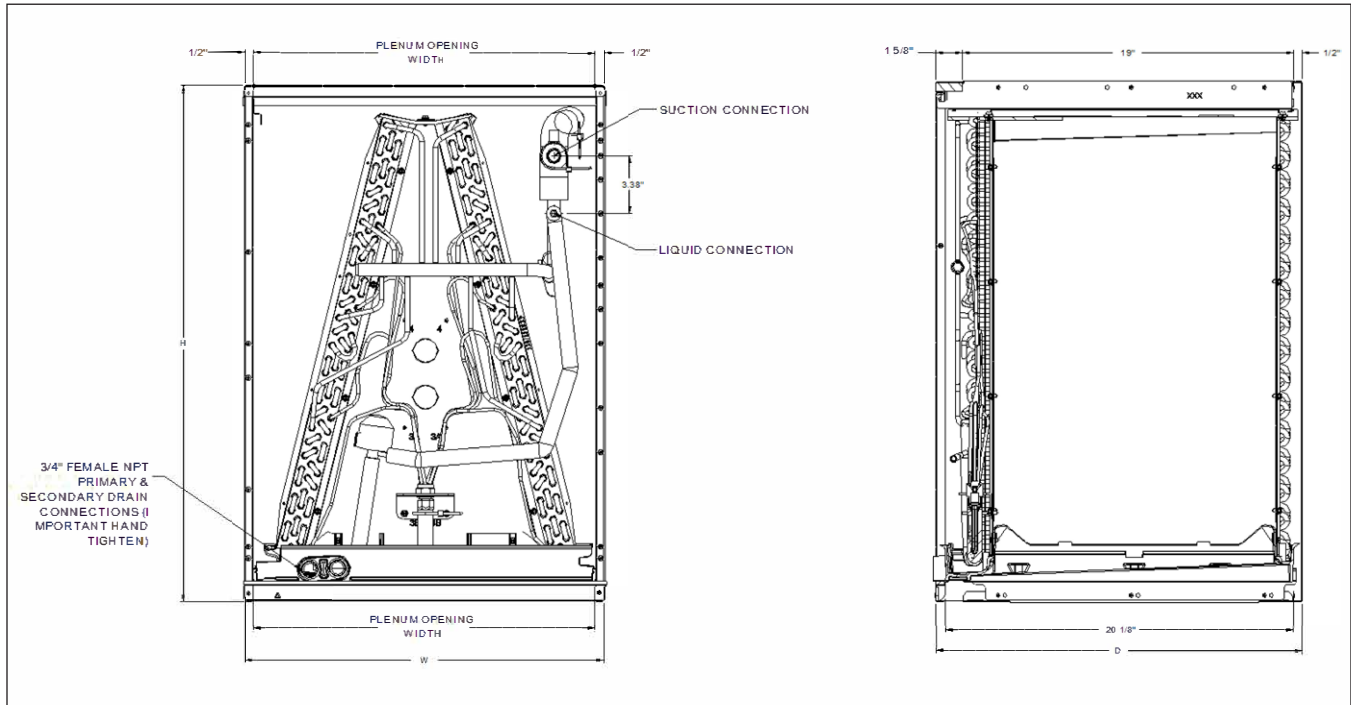


## SPECIFICATIONS

MODEL	CABINET DIMENSIONS			NOMINAL TONS	COIL DIMENSIONS		SHIP WEIGHT (LBS)
	W	D	H		W	H	
CAHEA3630C3	21"	21"	30"	2, 3, 5	5/16 or 3/8"	3/4 or 7/8"	58

**Note:** For a properly matched system and piston sizing information, refer to Daikin piston kit chart of the corresponding Daikin outdoor unit.

## DIMENSIONS



# AIRFLOW DATA FOR CAPTA

## AIR QUANTITY (SCFM) VS. PRESSURE DROP (IN. WC)

	SCFM	400	500	600	700	800	900	1000	1100	1200	1300	1400	1500	1600	1700	1800	1900	2000	2100	2200	
CAPTA1818A3**	Wet	0.080	0.135	0.205	0.275	0.346	0.422	0.516	0.620	0.715	-	-	-	-	-	-	-	-	-	-	-
	Dry	0.074	0.115	0.180	0.239	0.297	0.368	0.443	0.543	0.638	-	-	-	-	-	-	-	-	-	-	-
CAPTA1818B3**	Wet	0.067	0.106	0.165	0.215	0.261	0.317	0.372	0.425	0.482	-	-	-	-	-	-	-	-	-	-	-
	Dry	0.050	0.087	0.125	0.175	0.215	0.265	0.319	0.381	0.444	-	-	-	-	-	-	-	-	-	-	-
CAPTA2422A3**	Wet		0.108	0.150	0.195	0.250	0.310	0.379	0.460	0.543	0.625	-	-	-	-	-	-	-	-	-	-
	Dry		0.088	0.125	0.170	0.215	0.265	0.320	0.385	0.440	0.535	-	-	-	-	-	-	-	-	-	-
CAPTA2422B3**	Wet		0.090	0.130	0.150	0.220	0.250	0.310	0.369	0.436	0.508	-	-	-	-	-	-	-	-	-	-
	Dry		0.082	0.100	0.140	0.170	0.210	0.260	0.300	0.350	0.410	-	-	-	-	-	-	-	-	-	-
CAPTA2422C3**	Wet		0.091	0.110	0.139	0.172	0.205	0.245	0.285	0.335	0.387	-	-	-	-	-	-	-	-	-	-
	Dry		0.069	0.084	0.111	0.133	0.162	0.185	0.210	0.250	0.295	-	-	-	-	-	-	-	-	-	-
CAPTA3022A3**	Wet			0.150	0.195	0.250	0.310	0.379	0.460	0.543	0.625	0.730	-	-	-	-	-	-	-	-	-
	Dry			0.125	0.170	0.215	0.265	0.320	0.385	0.440	0.535	0.618	-	-	-	-	-	-	-	-	-
CAPTA3022B3**	Wet			0.130	0.150	0.220	0.250	0.310	0.369	0.436	0.508	0.584	-	-	-	-	-	-	-	-	-
	Dry			0.100	0.140	0.170	0.210	0.260	0.300	0.350	0.410	0.480	-	-	-	-	-	-	-	-	-
CAPTA3022C3**	Wet			0.110	0.139	0.172	0.205	0.245	0.285	0.335	0.387	0.437	-	-	-	-	-	-	-	-	-
	Dry			0.084	0.111	0.133	0.162	0.185	0.210	0.250	0.295	0.330	-	-	-	-	-	-	-	-	-
CAPTA3026B3**	Wet			0.115	0.150	0.190	0.229	0.270	0.310	0.365	0.420	0.475	-	-	-	-	-	-	-	-	-
	Dry			0.096	0.122	0.150	0.183	0.215	0.252	0.292	0.334	0.382	-	-	-	-	-	-	-	-	-
CAPTA3026C3**	Wet			0.090	0.110	0.140	0.170	0.200	0.240	0.280	0.320	0.370	-	-	-	-	-	-	-	-	-
	Dry			0.080	0.100	0.120	0.150	0.180	0.210	0.240	0.260	0.300	-	-	-	-	-	-	-	-	-
CAPTA3626B3**	Wet					0.134	0.167	0.204	0.245	0.290	0.338	0.389	0.444	0.485	-	-	-	-	-	-	-
	Dry					0.127	0.157	0.190	0.229	0.269	0.316	0.360	0.415	0.450	-	-	-	-	-	-	-
CAPTA3626C3**	Wet					0.100	0.120	0.150	0.180	0.210	0.240	0.280	0.310	0.360	-	-	-	-	-	-	-
	Dry					0.080	0.100	0.130	0.150	0.170	0.200	0.230	0.270	0.300	-	-	-	-	-	-	-
CAPTA4230C3**	Wet							0.130	0.150	0.180	0.210	0.250	0.280	0.310	0.340	0.378	0.414	-	-	-	-
	Dry							0.110	0.132	0.156	0.181	0.208	0.237	0.270	0.300	0.335	0.372	-	-	-	-
CAPTA4230D3**	Wet							0.120	0.140	0.160	0.190	0.220	0.250	0.280	0.310	0.350	0.380	-	-	-	-
	Dry							0.091	0.109	0.127	0.147	0.160	0.190	0.210	0.230	0.260	0.280	-	-	-	-
CAPTA6030C3**	Wet							0.150	0.174	0.210	0.240	0.270	0.310	0.350	0.400	0.440	0.490	0.540	0.600	0.660	
	Dry							0.133	0.160	0.190	0.210	0.250	0.280	0.320	0.350	0.390	0.440	0.480	0.530	0.590	
CAPTA6030D3**	Wet							0.150	0.180	0.210	0.230	0.270	0.300	0.340	0.380	0.430	0.477	0.520	-	-	-
	Dry							0.120	0.140	0.160	0.190	0.210	0.230	0.260	0.290	0.320	0.350	0.380	-	-	-
CAPTA6034C3**	Wet							0.140	0.160	0.190	0.220	0.260	0.300	0.340	0.380	0.420	0.460	0.510	0.560	0.610	
	Dry							0.120	0.140	0.170	0.200	0.230	0.260	0.300	0.330	0.360	0.400	0.430	0.480	0.520	
CAPTA6034D3**	Wet							0.120	0.130	0.150	0.180	0.200	0.220	0.250	0.280	0.310	0.340	0.380	0.410	0.450	
	Dry							0.090	0.100	0.120	0.140	0.160	0.180	0.200	0.220	0.250	0.280	0.310	0.340	0.380	

# AIRFLOW DATA FOR CHPTA

## AIR QUANTITY (SCFM) VS. PRESSURE DROP (IN. WC)

	SCFM	400	500	600	700	800	900	1000	1100	1200	1300	1400	1500	1600	1700	1800	1900	2000	2100	2200		
<b>CHPTA1822A3**</b>	Wet	0.095	0.151	0.215	0.284	0.354	0.429	0.519	0.601													
	Dry	0.064	0.094	0.144	0.199	0.284	0.353	0.431	0.513													
<b>CHPTA1822B3**</b>	Wet	0.090	0.120	0.140	0.190	0.250	0.310	0.390	0.460													
	Dry	0.080	0.110	0.130	0.180	0.230	0.290	0.360	0.430													
<b>CHPTA2426B3**</b>	Wet		0.130	0.150	0.180	0.204	0.255	0.304	0.365	0.419	0.468											
	Dry		0.100	0.120	0.150	0.170	0.210	0.240	0.290	0.330	0.410											
<b>CHPTA2426C3**</b>	Wet		0.110	0.140	0.160	0.180	0.200	0.230	0.270	0.320	0.370											
	Dry		0.090	0.110	0.130	0.150	0.190	0.220	0.260	0.300	0.350											
<b>CHPTA3026B3**</b>	Wet			0.110	0.150	0.180	0.230	0.280	0.320	0.370	0.430	0.490										
	Dry			0.120	0.140	0.170	0.210	0.250	0.290	0.340	0.400	0.460										
<b>CHPTA3026C3**</b>	Wet			0.100	0.130	0.150	0.170	0.200	0.230	0.260	0.300	0.340										
	Dry			0.060	0.080	0.110	0.130	0.150	0.174	0.198	0.229	0.259										
<b>CHPTA3630B3**</b>	Wet			0.150	0.187	0.229	0.279	0.323	0.372	0.430	0.465											
	Dry			0.128	0.153	0.191	0.237	0.285	0.330	0.377	0.428											
<b>CHPTA3630C3**</b>	Wet			0.140	0.175	0.205	0.245	0.285	0.325	0.365	0.410											
	Dry			0.086	0.105	0.135	0.155	0.185	0.210	0.245	0.279											
<b>CHPTA4230C3**</b>	Wet			0.140	0.175	0.205	0.245	0.285	0.325	0.365	0.410											
	Dry			0.086	0.105	0.135	0.155	0.185	0.210	0.245	0.279											
<b>CHPTA4830C3**</b>	Wet							0.210	0.250	0.304	0.352	0.402	0.457	0.510	0.570	0.630	0.693	0.761	0.831	0.894		
	Dry							0.163	0.194	0.226	0.263	0.297	0.337	0.381	0.420	0.470	0.520	0.580	0.630	0.690		
<b>CHPTA6030D3**</b>	Wet							0.161	0.189	0.221	0.254	0.292	0.332	0.370	0.413	0.461	0.502					
	Dry							0.140	0.160	0.190	0.220	0.250	0.283	0.314	0.351	0.389	0.402					

# AIRFLOW DATA FOR CAPFA

## AIR QUANTITY (SCFM) VS. PRESSURE DROP (IN. WC)

	SCFM	400	500	600	700	800	900	1000	1100	1200
CAPFA1818A3**	Wet	0.080	0.135	0.205	0.275	0.346	0.422	0.516	0.620	0.715
	Dry	0.074	0.115	0.180	0.239	0.297	0.368	0.443	0.543	0.638
CAPFA1818B3**	Wet	0.067	0.106	0.165	0.215	0.261	0.317	0.372	0.425	0.482
	Dry	0.050	0.087	0.125	0.175	0.215	0.265	0.319	0.381	0.444
CAPFA1818C3**	Wet	0.089	0.124	0.162	0.211	0.261	0.305	0.366	0.433	0.504
	Dry	0.070	0.101	0.132	0.171	0.205	0.253	0.300	0.350	0.400
	SCFM		500	600	700	800	900	1000	1100	1200
CAPFA2422A3**	Wet		0.126	0.180	0.220	0.280	0.340	0.410	0.500	0.580
	Dry		0.088	0.125	0.170	0.215	0.265	0.320	0.385	0.440
CAPFA2422B3**	Wet		0.117	0.167	0.211	0.257	0.309	0.360	0.430	0.540
	Dry		0.082	0.100	0.140	0.170	0.210	0.260	0.300	0.350
CAPFA2422C3**	Wet			0.135	0.165	0.195	0.235	0.277	0.324	0.365
	Dry			0.107	0.129	0.154	0.183	0.214	0.242	0.278
	SCFM		600	700	800	900	1000	1100	1200	1300
CAPFA3022A3**	Wet		0.150	0.195	0.250	0.310	0.379	0.460	0.543	0.625
	Dry		0.125	0.170	0.215	0.265	0.320	0.385	0.440	0.535
CAPFA3022B3**	Wet		0.130	0.150	0.220	0.250	0.310	0.369	0.436	0.508
	Dry		0.100	0.100	0.140	0.170	0.210	0.260	0.300	0.350
CAPFA3022C3**	Wet		0.110	0.139	0.172	0.205	0.245	0.285	0.335	0.387
	Dry		0.084	0.111	0.133	0.162	0.185	0.210	0.250	0.295
CAPFA3022D3**	Wet			0.135	0.165	0.198	0.230	0.272	0.312	0.361
	Dry			0.110	0.135	0.165	0.190	0.220	0.255	0.290
	SCFM		600	700	800	900	1000	1100	1200	1300
CAPFA3626B3**	Wet			0.190	0.229	0.270	0.310	0.365	0.420	0.475
	Dry			0.127	0.157	0.190	0.229	0.269	0.316	0.360
CAPFA3626C3**	Wet			0.140	0.170	0.200	0.240	0.280	0.320	0.370
	Dry			0.080	0.100	0.130	0.150	0.170	0.200	0.230
CAPFA3626D3**	Wet				0.188	0.226	0.263	0.307	0.359	
	Dry				0.105	0.131	0.157	0.183	0.210	
	SCFM			800	900	1000	1100	1200	1300	1400
CAPFA4226B3**	Wet				0.211	0.255	0.299	0.345	0.395	0.450
	Dry				0.180	0.217	0.255	0.297	0.342	0.393
CAPFA4226C3**	Wet				0.176	0.208	0.243	0.281	0.321	0.364
	Dry				0.138	0.162	0.187	0.215	0.244	0.276
CAPFA4226D3**	Wet				0.162	0.186	0.211	0.236	0.262	0.291
	Dry				0.105	0.131	0.157	0.183	0.210	0.237
	SCFM				1000	1100	1200	1300	1400	1500
CAPFA6030C3**	Wet				0.150	0.174	0.210	0.240	0.270	0.310
	Dry				0.133	0.160	0.190	0.210	0.250	0.280
CAPFA6030D3**	Wet				0.150	0.180	0.210	0.230	0.270	0.300
	Dry				0.120	0.140	0.160	0.190	0.210	0.230
										1600
										1700
										1800
										1900
										2000
										2100
										2200





# AIRFLOW DATA FOR CSCT

## AIR QUANTITY (SCFM) VS. PRESSURE DROP (IN. WC)

	SCFM	500	600	700	800	900	1000	1100	1200	1300	1400	1500	1600	1700	1800	1900	2000	2100	2200	
<b>CSCT2412S3</b>	Wet	0.104	0.143	0.176	0.212	0.255	0.292	0.321	0.344											
	Dry	0.048	0.067	0.086	0.108	0.132	0.159	0.186	0.206											
<b>CSCT3012M3</b>	Wet	---	---	0.062	0.076	0.092	0.109	0.131	0.156	0.186	0.209									
	Dry	---	---	0.032	0.043	0.055	0.068	0.082	0.099	0.114	0.131									
<b>CSCT3612L3</b>	Wet	---	---	---	0.045	0.063	0.081	0.099	0.116	0.132	0.148	0.166	0.183	0.202	0.220	0.236	0.259	0.278	0.291	
	Dry	---	---	---	0.039	0.051	0.064	0.077	0.092	0.105	0.121	0.138	0.150	0.175	0.191	0.214	0.230	0.251	0.262	
<b>CSCT6012L3</b>	Wet	---	---	---	0.051	0.068	0.085	0.103	0.120	0.137	0.154	0.173	0.192	0.212	0.233	0.255	0.278	0.299	0.319	
	Dry	---	---	---	0.043	0.056	0.069	0.084	0.099	0.115	0.132	0.149	0.167	0.185	0.207	0.227	0.249	0.272	0.282**	

\*\* Maximum SCFM=2146

# AIRFLOW DATA FOR CAUTA

## AIR QUANTITY (SCFM) VS. PRESSURE DROP (IN. WC)

	SCFM	400	500	600	700	800	900	1000	1100	1200	1300	1400	1500	1600	1700	1800	1900	2000	2100	2200	
CAUTA1818A3**	Wet	0.080	0.135	0.205	0.275	0.346	0.422	0.516	0.620	0.715	-	-	-	-	-	-	-	-	-	-	-
	Dry	0.074	0.115	0.180	0.239	0.297	0.368	0.443	0.543	0.638	-	-	-	-	-	-	-	-	-	-	-
	Wet	0.067	0.106	0.165	0.215	0.261	0.317	0.372	0.425	0.482	-	-	-	-	-	-	-	-	-	-	-
CAUTA1818B3**	Dry	0.050	0.087	0.125	0.175	0.215	0.265	0.319	0.381	0.444	-	-	-	-	-	-	-	-	-	-	-
	Wet	0.108	0.150	0.195	0.250	0.310	0.379	0.460	0.543	0.625	-	-	-	-	-	-	-	-	-	-	-
	Dry	0.088	0.125	0.170	0.215	0.265	0.320	0.385	0.440	0.535	-	-	-	-	-	-	-	-	-	-	-
CAUTA2422B3**	Wet	0.090	0.130	0.150	0.220	0.250	0.310	0.369	0.436	0.508	-	-	-	-	-	-	-	-	-	-	-
	Dry	0.082	0.100	0.140	0.170	0.210	0.260	0.300	0.350	0.410	-	-	-	-	-	-	-	-	-	-	-
	Wet	0.091	0.110	0.139	0.172	0.205	0.245	0.285	0.335	0.387	-	-	-	-	-	-	-	-	-	-	-
CAUTA2422C3**	Dry	0.069	0.084	0.111	0.133	0.162	0.185	0.210	0.250	0.295	-	-	-	-	-	-	-	-	-	-	-
	Wet	0.150	0.195	0.250	0.310	0.379	0.460	0.543	0.625	0.730	-	-	-	-	-	-	-	-	-	-	-
	Dry	0.125	0.170	0.215	0.265	0.320	0.385	0.440	0.535	0.618	-	-	-	-	-	-	-	-	-	-	-
CAUTA3022A3**	Wet	0.130	0.150	0.220	0.250	0.310	0.369	0.436	0.508	0.584	-	-	-	-	-	-	-	-	-	-	-
	Dry	0.100	0.140	0.170	0.210	0.260	0.300	0.350	0.410	0.480	-	-	-	-	-	-	-	-	-	-	-
	Wet	0.110	0.139	0.172	0.205	0.245	0.285	0.335	0.387	0.437	-	-	-	-	-	-	-	-	-	-	-
CAUTA3022C3**	Dry	0.084	0.111	0.133	0.162	0.185	0.210	0.250	0.295	0.330	-	-	-	-	-	-	-	-	-	-	-
	Wet	0.115	0.150	0.190	0.229	0.270	0.310	0.365	0.420	0.475	-	-	-	-	-	-	-	-	-	-	-
	Dry	0.096	0.122	0.150	0.183	0.215	0.252	0.292	0.334	0.382	-	-	-	-	-	-	-	-	-	-	-
CAUTA3026C3**	Wet	0.090	0.110	0.140	0.170	0.200	0.240	0.280	0.320	0.370	-	-	-	-	-	-	-	-	-	-	-
	Dry	0.080	0.100	0.120	0.150	0.180	0.210	0.240	0.260	0.300	-	-	-	-	-	-	-	-	-	-	-
	Wet	0.134	0.167	0.204	0.245	0.290	0.338	0.389	0.444	0.485	-	-	-	-	-	-	-	-	-	-	-
CAUTA3626B3**	Dry	0.127	0.157	0.190	0.229	0.269	0.316	0.360	0.415	0.450	-	-	-	-	-	-	-	-	-	-	-
	Wet	0.100	0.120	0.150	0.180	0.210	0.240	0.280	0.310	0.360	-	-	-	-	-	-	-	-	-	-	-
	Dry	0.080	0.100	0.130	0.150	0.170	0.200	0.230	0.270	0.300	-	-	-	-	-	-	-	-	-	-	-
CAUTA4230C3**	Wet	0.130	0.150	0.180	0.210	0.250	0.280	0.310	0.360	0.410	-	-	-	-	-	-	-	-	-	-	-
	Dry	0.110	0.132	0.156	0.181	0.208	0.237	0.270	0.300	0.335	-	-	-	-	-	-	-	-	-	-	-
	Wet	0.120	0.140	0.160	0.190	0.220	0.250	0.280	0.310	0.350	-	-	-	-	-	-	-	-	-	-	-
CAUTA4230D3**	Dry	0.091	0.109	0.127	0.147	0.160	0.190	0.210	0.230	0.260	-	-	-	-	-	-	-	-	-	-	-
	Wet	0.150	0.174	0.210	0.240	0.270	0.310	0.350	0.400	0.440	-	-	-	-	-	-	-	-	-	-	-
	Dry	0.133	0.160	0.190	0.210	0.250	0.280	0.320	0.350	0.390	-	-	-	-	-	-	-	-	-	-	-
CAUTA6030C3**	Wet	0.100	0.120	0.150	0.180	0.210	0.240	0.280	0.310	0.360	-	-	-	-	-	-	-	-	-	-	-
	Dry	0.080	0.100	0.120	0.150	0.180	0.210	0.240	0.260	0.300	-	-	-	-	-	-	-	-	-	-	-
	Wet	0.150	0.180	0.210	0.230	0.270	0.300	0.340	0.380	0.430	-	-	-	-	-	-	-	-	-	-	-
CAUTA6030D3**	Dry	0.120	0.140	0.160	0.190	0.210	0.230	0.260	0.290	0.320	-	-	-	-	-	-	-	-	-	-	-
	Wet	0.100	0.120	0.140	0.160	0.190	0.210	0.230	0.260	0.290	-	-	-	-	-	-	-	-	-	-	-
	Dry	0.080	0.100	0.120	0.140	0.160	0.190	0.210	0.230	0.260	-	-	-	-	-	-	-	-	-	-	-

## AIRFLOW DATA FOR CAHEA

### AIR QUANTITY (SCFM) VS. PRESSURE DROP (IN. WC)

	SCFM	700	800	900	1000	1100	1200	1300	1400	1500	1600	1700	1800	1900	2000	2100	2200
<b>CAHEA3630C3</b>	Wet	0.088	0.115	0.142	0.171	0.200	0.232	0.272	0.326	0.376	0.424	0.476	0.523	0.576	0.625	0.670	0.725
	Dry	0.070	0.089	0.109	0.131	0.156	0.182	0.210	0.240	0.274	0.306	0.344	0.383	0.423	0.469	0.512	0.561

## ACCESSORIES

### HIGH-TEMP DRAIN PAN KITS FOR CAPFA, CAPTA & CAUTA

DRAIN PAN KITS	FURNACE SIZE
HTP7-A	14" Furnaces
<i>HTP7-B - coming soon</i>	17½" Furnaces
HTP7-C	21" Furnaces
HTP7-D	24½" Furnaces

### DRAIN PAN INSULATION KITS FOR CAPFA, CAPTA, CAPEA & CAUTA

KIT NUMBER	CABINET WIDTH
DPICX-AB	14"
DPICX-BB	17½"
DPICX-CB	21"
DPICX-DB	24½"
DPICX-DC (Use only for CAPTA6030D3, CAPTA6034D3, CAPFA6030D3 and CAUTA6030D3)	24½"

### UV-C PART NUMBERS

MODELS	LAMP
UC18S15-24	UCP-16013
UC18S15-24B	UCP-16012

### HORIZONTAL RIGHT COIL ACCESSORY FOR HIGH HUMIDITY ENVIRONMENT FOR CHPTA & CHPEA

DRAIN PAN KITS	FURNACE SIZE
HHCMK01	All Horizontal cabinets

### R32 ACCESSORY KIT FOR NON-A2L FURNACE FOR CAPFA, CAPTA, CHPTA, CSCT, CAPEA, CHPEA, CSCT & CAUTA

KIT NUMBER	FURNACE TYPE
0230K00044	Non-A2L furnaces

### R32 ZONING ACCESSORY KIT FOR CAPFA, CAPTA, CHPTA, CSCT, CAPEA, CHPEA & CAUTA

KIT NUMBER	MODELS
0230K00007	All CAPTA, CHPTA, CHPEA, CAPEA, CAPFA, CAUTA and CSCT

### DOWNFLOW KITS FOR CAPEA

KIT NUMBER	MODELS
DFKE-02	CAPEA4830C3, D3 CAPEA6030C3, D3

### ACCESSORIES FOR CAHEA

HHK0011	High Humidity Kit
CMK-0017	Condensate Management Kit
DFKE-02	Downflow Kit
0270K00063	Horizontal Installation Kit

0154D20003S*	Gasket for sealing the cased coil and modular blower joint
--------------	--

### FILLER PLATES FOR NON STRAIGHT COIL-FURNACE MATCHUP CAPFA, CAPTA, CHPTA, CAPEA & CHPEA

KIT NUMBER
FPKT01

