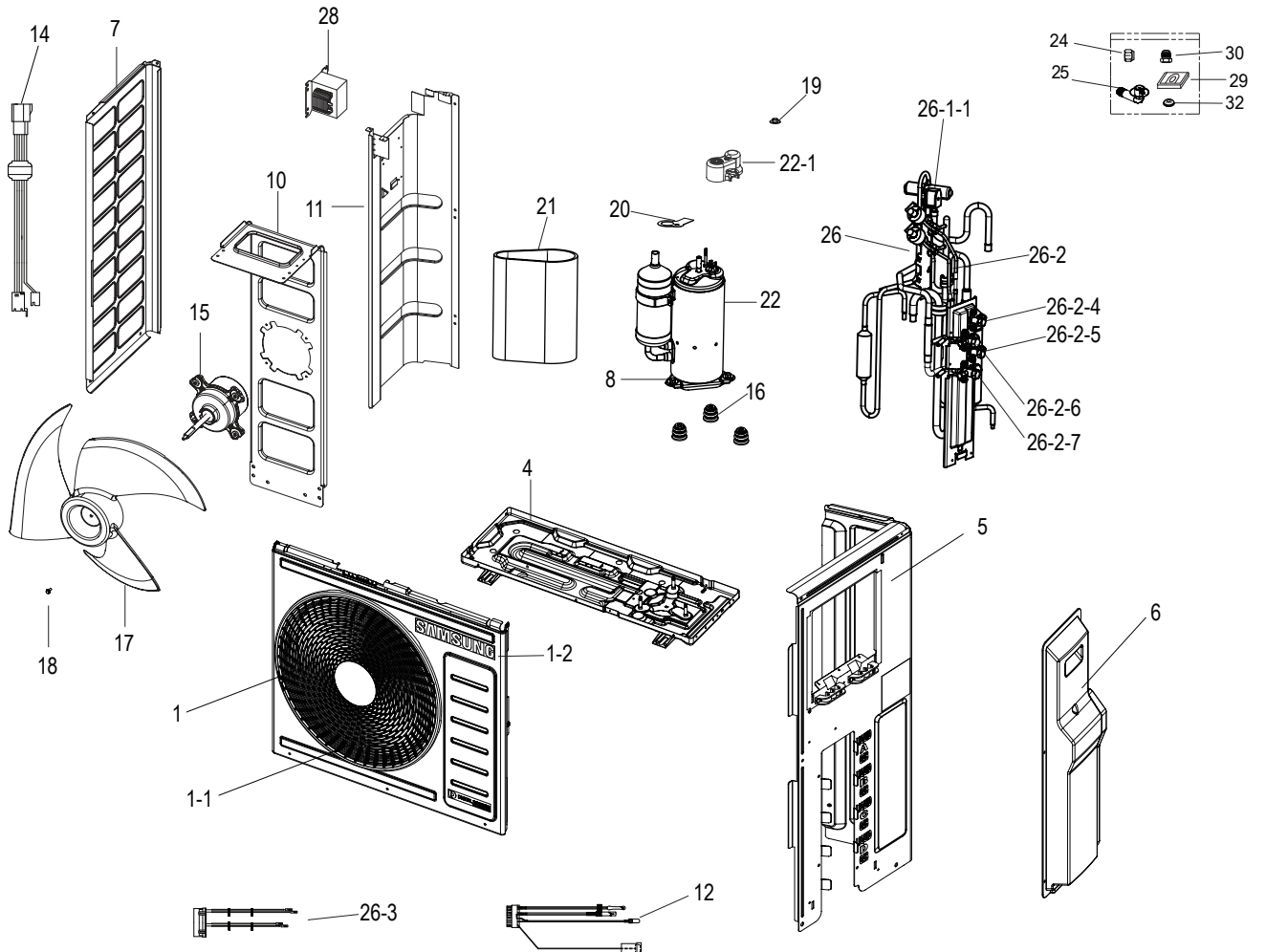
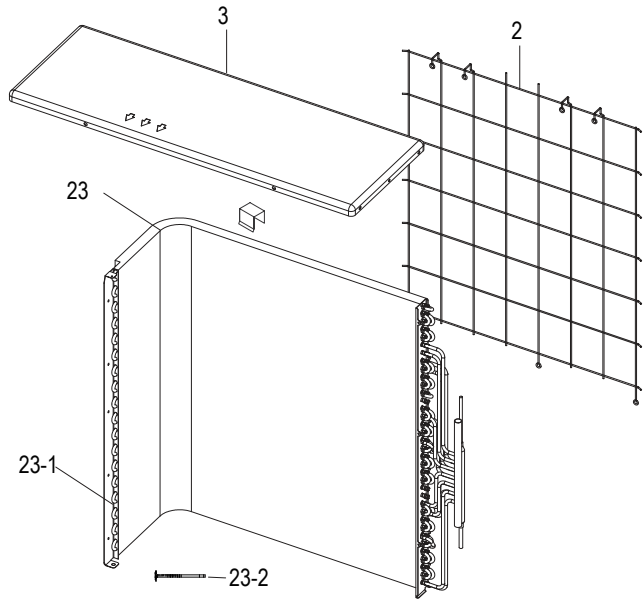
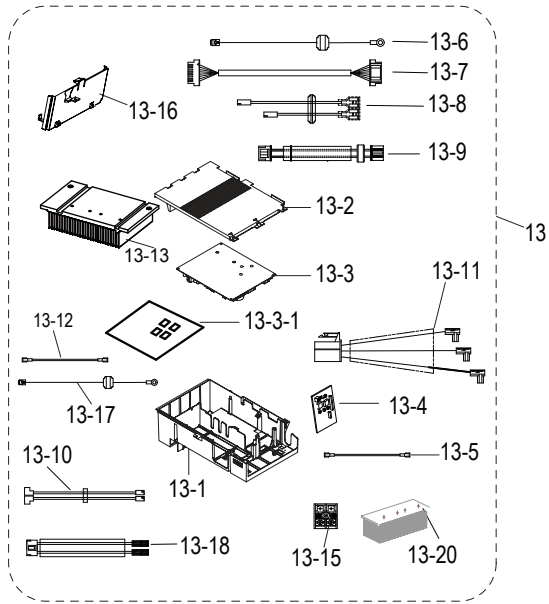


# Outdoor Unit

## AJ020DXJ2CG/AA



■ Part List: AJ020DXJ2CG/AA

No.	Code No.	Description	Specification	Q'ty	S/A/SNA
1	DB90-11282A	ASSY CABI FRONT	AJ020TXJ2CH/AA,P520	1	SA
1-1	DB63-04021A	GUARD FAN	P chassis,PP,T2.5,EARTH BROWN	1	SA
1-2	DB64-03201B	LOGO	SAMSUNG,PVC,T0.1,W200	1	SA
2	DB63-04169B	GUARD COND	P520,MSWR,T3.5,EARTH BROWN,SS	1	SA
3	DB90-07183N	ASSY CABI TOP	P520,PMA	1	SA
3-1	DB64-00967B	HANDLE-OUTDOOR	FAC,PP,T3,W24.8,L110,MT62	1	SA
4	DB90-10990C	ASSY BASE OUT	P520,48F,PMA	1	SA
5	DB90-11278G	ASSY CABI SIDE-RH	AJ024DXJ3CG/AA,FJM,AA	1	SA
6	DB90-11281A	ASSY COVER-VALVE	AJ068RCJ3EG/EU,P520	1	SA
7	DB90-11279B	ASSY CABI SIDE-LF	AR18TSFACWKXCV,P-520 N	1	SA
8	DB60-30028A	NUT-FLANGE	HWH,M8,ZPC(WHT),SWRCH18A,P1.2	3	SA
9	DB94-10439A	SVC ASSY EEPROM-OUT	,AA,P,PF#3	1	SA
10	DB90-11280A	ASSY BRACKET MOTOR	AJ068RCJ3EG/EU,P520	1	SA
11	DB94-07644A	ASSY PARTITION	RJ080F4HXEA	1	SA
12	DB95-05268A	ASSY THERMISTOR OUT	103FW,6P,450/600/800	1	SA
13	DB92-05805A	ASSY PBA KIT-OUT	OUTDOOR,FJM R32	1	SA
13-1	DB61-07236B	CASE CONTROL	NEW #3 CONTROLLER,ABS,T2,L3	1	SA
13-2	DB63-02817B	COVER-CONTROLLER	AFN-SD232T*,ABS,T2.2,W3	1	SA
13-3	DB92-05668B	ASSY PCB INVERTER	INVERTER,PF3_17S	1	SA
				1	SA
13-4	DB92-05809A	ASSY PCB MAIN-OUT	OUTDOOR,FJM,180*80,220	1	SA
13-4-1	DB93-12483B	ASSY PCB SUB-EEPROM	SUB,E2P PBA,UB-S,20*25	1	SA
13-5	DB93-11280B	ASSY CONNECTOR WIRE-TERMINAL BLOCK	1101	2	SNA
13-6	DB93-10906B	ASSY CONNECTOR WIRE-EARTH	1,1015,18,YEL/	1	SA
13-7	DB93-17033A	ASSY CONNECTOR WIRE-DC SIGNAL	8,2095,26,	1	SA
13-8	DB93-16973B	ASSY CONNECTOR WIRE-POWER	2,1015,14,BRN,	1	SA
13-9	DB93-16974A	ASSY CONNECTOR WIRE-POWER	2,1015,18,BRN,	1	SA
13-10	DB93-17175A	ASSY CONNECTOR WIRE-REACTOR	2,1015,16,WH	1	SA
13-11	DB93-11274B	ASSY CONNECTOR WIRE-COMP OUT	3,3343,14,R	1	SA
13-12	DB93-11280A	ASSY CONNECTOR WIRE-TERMINAL BLOCK	1101	2	SNA
13-13	DB62-12477A	HEAT SINK	FJM2 PF3 MODEL,AI,SCREW,32PIN	1	SA
13-14	DB37-00027B	TERMINAL BLOCK	HB-P/J,PBT,Max2.5MM*2,36.	1	SA
13-15	DB37-00037A	TERMINAL BLOCK	4P(8SCREW),MELAMINE,600V,	1	SA
13-16	DB61-07235A	CASE PCB	NEW #3 CONTROLLER,ABS,T2,L185.3	1	SA
13-17	DB93-10906A	ASSY CONNECTOR WIRE-EARTH	1,1015,18,YEL/	1	SA
13-18	DB93-16402A	ASSY CONNECTOR WIRE-COMM	2,1007,22,RED,Y	1	SA
13-19	DB91-00933A	ASSY-SCREW MACHINE	MH*, FJM,M3, L12	4	SA
13-20	DC62-00243C	HEAT SINK	HUDSON,AI,T2.5,W11,L15,WHITE,H	1	SA
14	DB93-10905B	ASSY CONNECTOR WIRE-COMP	3,1015,14,RED,M	1	SA
15	DB31-00658J	MOTOR FAN	800rpm,310V,1.0A,125W,8Pole,CW	1	SA
16	DB63-02297A	GROMMET ISOLATOR	48F,NR,L32.5,ID11.5,OD26	3	SNA
17	DB94-04381A	ASSY FAN PROPELLER	DVM S ECO,520	1	SA
18	DB60-00405A	FASTENER-WASHER	RC100ZHXA,SWRCH10A,M8	1	SA
19	DB60-30028A	NUT-FLANGE	ZPC(WHT),HWH,M8,P1.25/Washer Type	1	SA
21	DB63-02029A	FELT-COMP SOUND A	MH040,FELT/PVC,T5+T1.6	1	SC
22	DB95-05801A	ASSY COMP PARTS	AJ068RCJ3EG/EU,P520	1	SNA
23	DB96-24588B	ASSY COND BENDING	P,L906.8mm	1	SA
23-1	DB96-24589B	ASSY COND SUB	P520,L906.8	1	SNA
23-2	DB81-00635A	SPRING ETC-SENSOR	DVM-SYSTEM,STS304,R2.5	2	SA
24	DB60-30010B	FASTENER-NUT FLARE	AR12RV3HEWKXNA,BRASS	2	SA
25	DB67-00477A	DRAIN-PLUG OUT	UH140GZMC,PP,-,-,-,-,WHIT	1	SA
26	DB96-24609H	ASSY TUBE SERVICE-BRACKET	HP,R32,KTF235,KCV,2-room	1	SA
26-1	DB96-24608B	ASSY TUBE 4WAY	AJ068TXJ3EG/EU,FJM	1	SA
26-1-1	DB95-01612C	ASSY-SOLENOID	RAC,SSEC	1	SNA
26-2	DB96-24612E	ASSY TUBE EEV	FJM,FJM,P,2-ROOM, Sanhua T-type	1	SA
26-2-1	DB81-00635A	SPRING ETC-SENSOR	DVM-SYSTEM,STS304,R2.5	4	SA
26-2-2	DB95-05268A	ASSY THERMISTOR OUT	103AT,AC,200,10	1	SA
26-2-4	DB62-09652A	VALVE SERVICE-SPINDLE	FLARE,R410A,6.35	1	SA
26-2-5	DB62-09652A	VALVE SERVICE-SPINDLE	FLARE,R410A,6.35	1	SA
26-3	DB32-00278A	SENSOR TEMP	103AT,WB20L-024-411/WHT,L700	1	SA
28	DB27-00100A	COIL HARMONIC	5mH,86.0x94.5xTmm,20A,-	1	SA
29	DB73-20134A	RUBBER-LEG	V2-MD,NBR,10,BLACK	4	SA
30	DB67-00789A	NIPPLE-CONNECTOR	MH080FXEA4A,C3771,L41,C	2	SNA
31	DB95-05794A	RCP,COMP,RCP,,R410A	KTF235D22UMV R32	1	SA
32	DB63-10355C	SEAL DRAIN	-,CHLOROPRENE RUBBER,-,T2,W24	3	SA