

SAMSUNG

Submittal Data

AC012DN1DCG/AA (CNG121DD) For Multi-Zone Systems

WindFree™* 1-Way Cassette

Job Name: _____

Purchaser: _____

Submitted to: _____

Unit designation: _____

Location: _____

Engineer: _____

Reference _____ Approval _____ Construction _____

Schedule #: _____

General Information

- The indoor unit shall feature WindFree™* mode. When activated in cooling mode, the unit will close its louver and will disperse air into the space through thousands of micro-holes on the front of the indoor unit, preventing cold air drafts on occupants.
- The indoor unit shall have an integral condensate pump with maximum 29" lift from bottom of the unit with check valve and float switch to disable unit in the event of condensate overflow.
- The indoor unit fascia panel shall have a built-in Wi-Fi adapter as standard to allow control and monitoring using the Samsung SmartThings app.
- The outdoor unit shall provide 208/230V power to the indoor unit via 14 AWG X 3 interconnect power cable.
- Interconnecting control wiring between the outdoor to indoor shall be 2-conductor/stranded copper/shielded cable between 18-16 AWG.

Construction

- Insulated, HIPS chassis and fascia panel certified to UL94 V0.

Refrigerant System

- The heat exchanger shall be mechanically boded aluminum fin to copper tube.
- Refrigerant flow shall be controlled by an electronic expansion valve at the outdoor unit.
- The system shall include an R32 alarm output plug on the indoor unit and outdoor unit for notification of R32 leak detection when the indoor unit refrigerant leak detector detects a refrigerant leak (MIM-B14U accessory is required).

Indoor Fan

- Three fan speed settings and auto settings
- Washable filter as standard
- Fascia panel shall have LED display, infrared receiver, and a motorized louver
- The WindFree™* function will close the supply air outlet louver while in cooling mode to gently disperse cool air into the space without blowing directly onto occupants.
- The WindFree™* feature is optional and can be enabled using central or local control options.

Controls

- The unit shall be operated via a wireless or wired remote control with DDC-type signal (purchased separately)
- Dual set temperature support when connected to supported controllers.



External Heat Control

- External heat control functionality allows for configuration of fan operation during auxiliary heat operation, defrost, and emergency heat (MIM-B14U accessory required).
- External heat control configuration settings include outside ambient external heat lockout, outside ambient compressor lockout, and time delay options (MIM-B14U accessory required).
- Emergency heat functionality allows the system to continue controlling the external heat source even when system errors prevent the heat pump from operating (MIM-B14U accessory required).
- External heat control functionality allows for configuration of fan operation during auxiliary heat operation, defrost, and emergency heat
- Emergency heat functionality allows the system to continue controlling the external heat source even when system errors prevent the heat pump from operating

Convenience

- Emergency Temperature Output (ETO) function: when indoor unit is in error status or when room temperature exceeds a configurable temperature level, the system outputs a signal to an external source (e.g., backup system, building management system, alert device like status light, warning lamp, or buzzer).



Intertek

*The WindFree™ unit delivers an air current that is under 0.15 m/s while in WindFree™ mode. Air velocity that is below 0.15 m/s is considered "still air" as defined by ASHRAE (American Society of Heating, Refrigerating, and Air Conditioning Engineers).

Samsung HVAC maintains a policy of ongoing development. Specifications are subject to change without notice.

Specifications

Model	US Code		CNG121DD
	Model Number		AC012DN1DCG/AA
Performance	Nominal Capacity	Cooling (Btu/h)	12,000
		Heating (Btu/h)	14,000
Power	Voltage	ø / V / Hz	1 / 208-230 / 60
	Operating Current (max.)	Cooling (A)	0.26
		Heating (A)	0.26
Evaporator Fan	Type		BLDC motor with cross-flow fan
	Output	Watts	27.0
Airflow	Air Volume (L/M/H)	Cooling (CFM)	254 / 290 / 318
		Heating (CFM)	254 / 290 / 318
Refrigerant	Type		R-32
	A2L Leak Detection		Integral
Pipe Connections	Indoor & Outdoor	High side (In.)	1/4
		Low side (In.)	3/8
	Condensate Connection		1 1/4 in. OD, 1 in. ID
Dimensions	W X H X D	In.	38 3/16 X 5 5/16 X 16 1/8
	Weight	lbs.	19.80
Operating Temperatures	Indoor	Cooling	64 ~ 90°F (16 ~ 32°C)
		Heating	T ≤ 86°F (30°C)
Sound Pressure Level	Low/Med./High	dB(A)	29 / 32 / 35
Safety	Certifications		UL 60335-2-40
Fascia Panel	L X W X H	In.	47 3/16 X 19 11/16 X 1 3/8
	Weight	lbs.	9.5
Safety	Certifications		UL 60335-2-40

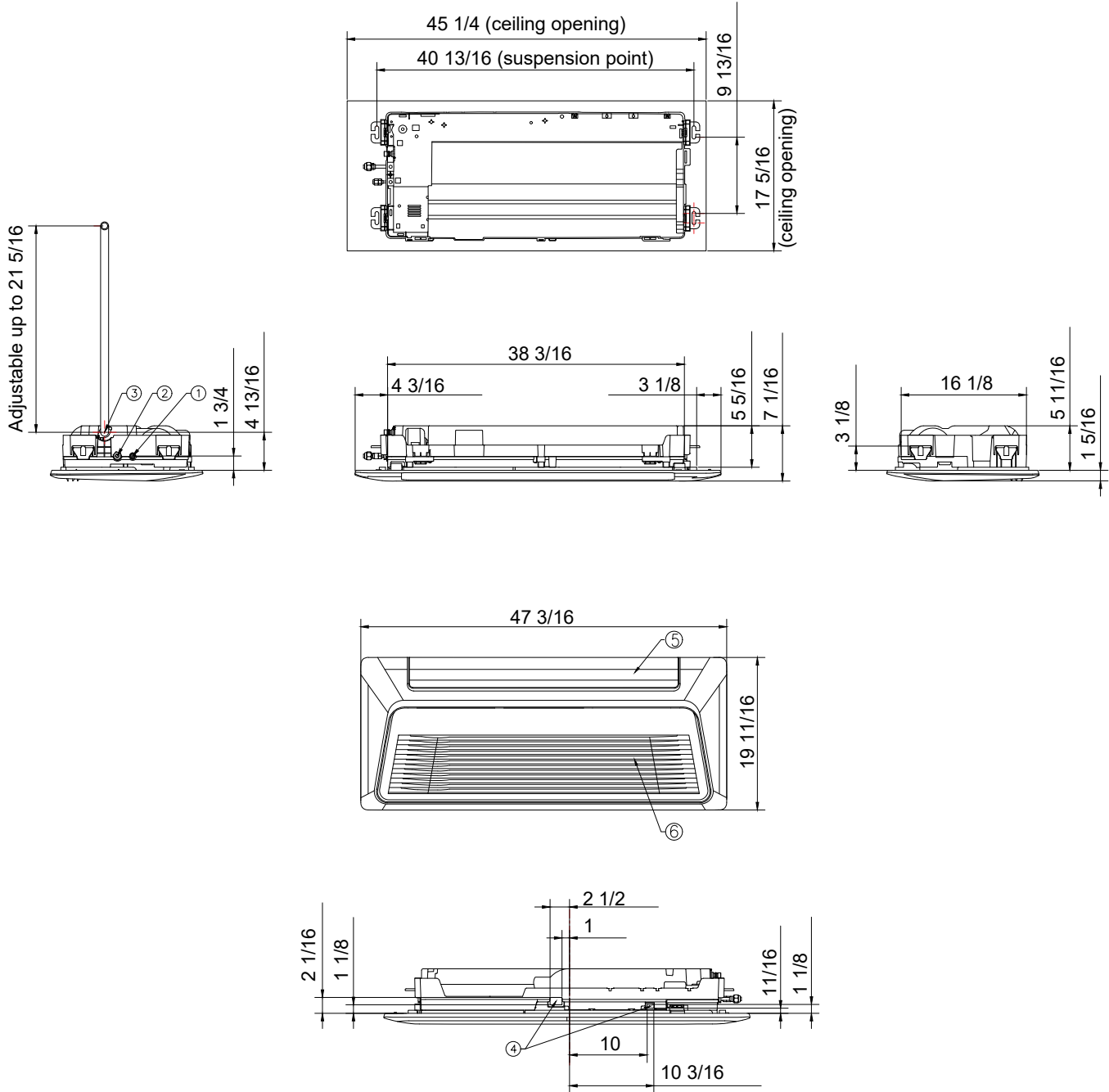
Accessories

Fascia Panel		PC1NWFMUNW
Wired controller	Advanced	MWR-WG01UN
	Touchscreen	MWR-SH12UN
Thermostat adapter (for connection to standard 24VAC thermostats)		MIM-A60UN
Wireless controller		AR-CH01U
External temperature sensor		MRW-TAU
External contact control interface module		MIM-B14U
Line set - insulated and flared, interconnect cables included	25'	ILS2506
	50'	ILS5006

Dimensional Drawing

AC012DN1DCG/AA (CNG121DD)

Unit: Inches



No.	Description
1	Liquid pipe connection
2	Gas pipe connection
3	Drain hose connection
4	Opening for power and communication wire conduit
5	Air outlet louver
6	Air inlet grille