

SAMSUNG

Submittal Data

AC030DNTDCG/AA (CNG30TDD) / AC030DXSCCF/AA (CXF30SCD)

High-Wall, Single Zone, Low Ambient, Cooling Only, Split System

Job Name: _____

Purchaser: _____

Submitted to: _____

Unit designation: _____

Location: _____

Engineer: _____

Reference Approval Construction

Schedule #: _____

General Information

- Low ambient cooling down to -40°F
- The indoor unit shall feature WindFree™* mode. When activated in cooling mode the unit will close its louver and will disperse air into the space through thousands of micro-holes on the front of the indoor unit preventing cold air drafts on occupants.
- The system shall have a built-in Wi-Fi adapter as standard to allow control and monitoring using the Samsung SmartThings app.
- The outdoor unit shall provide 208/230V power to the indoor unit via 14 AWG X 3 interconnect power cable.
- Interconnecting control wiring between the outdoor to indoor shall be 2-conductor/stranded copper/shielded cable between 18-16 AWG

Construction

- Outdoor unit: Galvanized steel with a baked-on powder-coated finish for durability.
- The indoor unit chassis shall be UL94 V0 with a galvanized steel mounting bracket
- All heat exchangers shall be mechanically boded aluminum fin to copper tube.
- The indoor unit shall have easy access to wire, pipe, and drain connections via the access panel on the bottom of the unit for simple installation and service

Refrigerant System

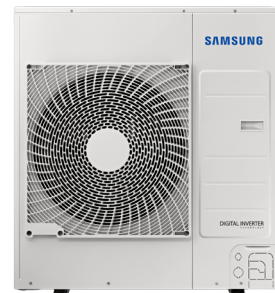
- The system shall utilize low-GWP R-32 refrigerant
- Refrigerant flow shall be controlled by an electronic expansion valve at the outdoor unit

Indoor Fan

- Three fan speed settings and auto settings
- Automatic (motorized) vertical swing (up/down) and horizontal swing (left/right) louvers

Controls

- The unit shall be operated via a wireless or wired remote control with DDC-type signal (purchased separately)
- No additional interface modules/adapters are required when connecting to Samsung central control options.
- Wired or wireless controllers must be purchased separately.



Note: Unit appearance may vary slightly

Convenience

- 7-segment digital display on the front of the unit to display temperature and unit status
- Washable main filter as standard accessible from the top of the unit
- The outdoor unit shall have a snow accumulation prevention option setting to prevent snow drifting against an idle outdoor unit.
- Emergency Temperature Output (ETO) function: when indoor unit is in error status or when room temperature exceeds a configurable temperature level, the system outputs a signal to an external source (e.g., backup system, building management system, alert device like status light, warning lamp, or buzzer).
- Maximum Current Control configurable from 50% - 100% via outdoor unit, wired controller, or central controls.



Intertek



System Specifications

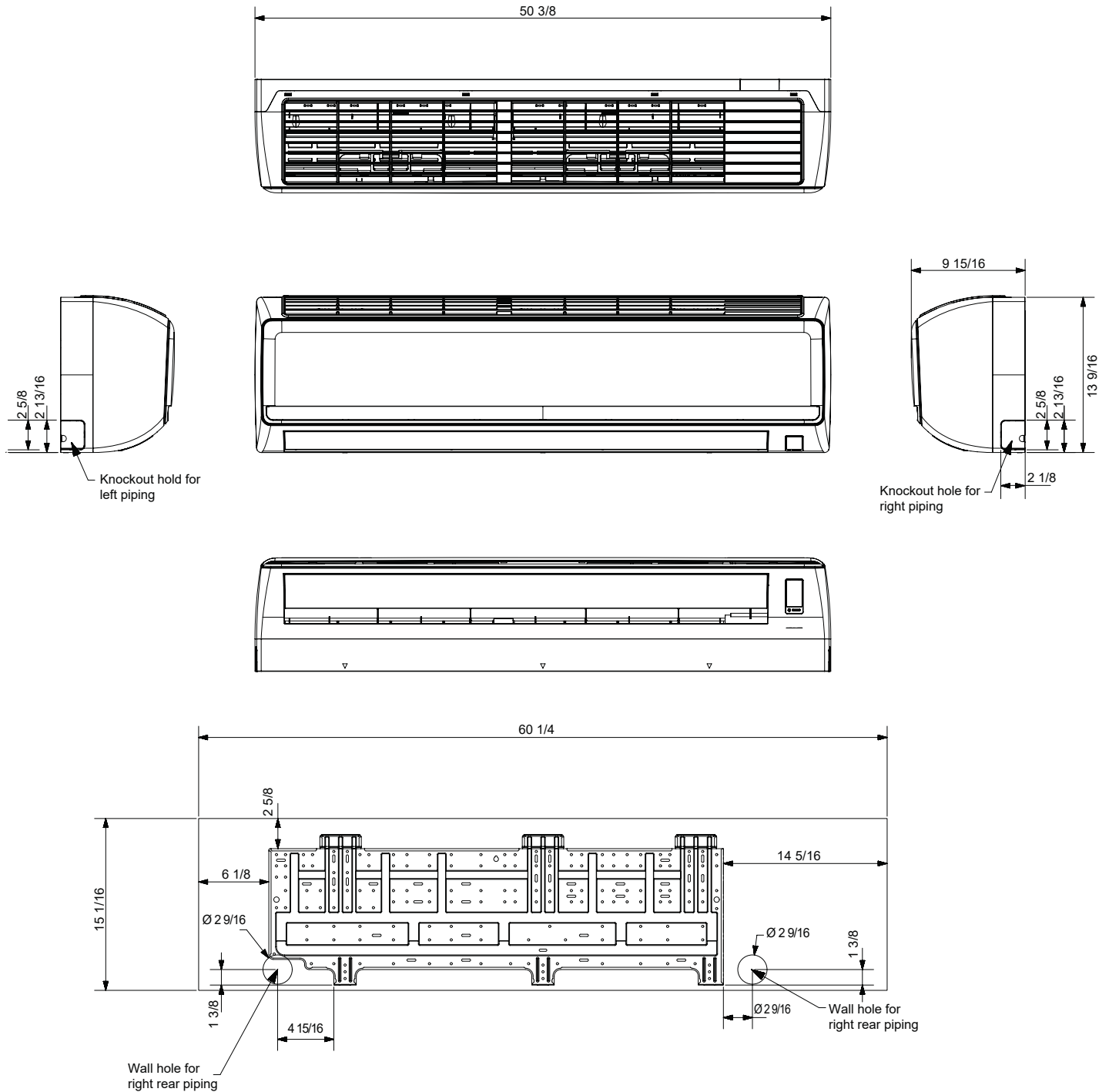
Model	Indoor Unit Model Number (US Code)		AC030DNTDCG/AA (CNG30TDD)
	Outdoor Unit Model Number (US Code)		AC030DXSCCF/AA (CXF30SCD)
Performance	Nominal Capacity	Cooling (Btu/h)	30,000
	Capacity Range	Cooling (Btu/h)	8,500 - 37,000
	AHRI 210-240 2023	SEER2	19.80
		EER2	10.40
Power	Voltage	ø / V / Hz	1 / 208-230 / 60
	Working Voltage Range (VAC)		187 - 253
	Operating Current (A)	Min. / Standard / Max.	2.6 / 12.9 / 20.3
	Max. Breaker	Amps	30.0
	Min. Circuit Ampacity	Amps	27.0
Dimensions	W X H X D (in.)	Indoor Unit	50 3/8 X 10 X 13 5/8
		Outdoor Unit	37 X 39 5/16 X 13
	Weight (lbs.)	Indoor Unit	40.80
		Outdoor Unit	156.50
Sound Pressure Level	Indoor Unit dB(A)	L / M / H / Turbo	37 / 45 / 47 / 49
	Outdoor Unit dB(A)	High	62
Operating Temperatures	Outdoor		23 - 122°F (-5 - 50°C) -40 - 122°F (-40 - 50°C) W/Baffle
	Indoor		64 ~ 90°F (16 ~ 32°C)
Pipe Connections	Indoor & Outdoor	High side (In.)	3/8
		Low side (In.)	5/8
	Maximum (ft.)		164
	Maximum Vertical Separation (ft.)		98
	Condensate Connection		11/16" OD
Refrigerant	Type		R-32
	A2L Leak Detection		Not Included
	Factory Charge	oz.	95.2
	Charged for		24.6 ft.
Compressor	Type		Inverter Driven, Twin BLDC Rotary
	RLA	Amps	17.7
Evaporator Fan	Type		BLDC motor with cross-flow fan
	Output	Watts	58
Airflow	Air Volume	CFM (L/M/H)	671 / 724 / 777
Condenser Fan	Type		BLDC With Axial Type Fan (1)
	MOC / Watts / CFM (max.)		1.2A X 1 / 125W X 1 / 2,684
Corrosion Prevention	ISO-9227 - The condenser heat exchanger showed no unusual rust or corrosion development to 2,280 hours.		
Safety	Certifications	UL 60335-2-40	
	Devices	PCB fuses, indoor unit terminal block thermal fuse, current transformer, over-voltage protection, crankcase heating, temperature limit protection logic, compressor overload sensing	

Accessories

Condensate pump	Blue Diamond MaxiBlue	BD-BLUE-230
Wired controller	Advanced	MWR-WG01UN
	Touchscreen	MWR-SH12UN
Wireless controller		AR-CH01U
Thermostat adapter (for connection to standard 24VAC thermostats)		MIM-A60UN
External temperature sensor		MRW-TAU
External contact control interface module		MIM-B14U
Wall bracket (for outdoor unit)		CKN-250
Wind baffles	Front	WBF-2M-B
	Back	WBB-3M
Hail guard kit (includes back and side guards)		HGK-3
Line set - insulated and flared, interconnect cables included	25'	ILS2510
	50'	ILS5010

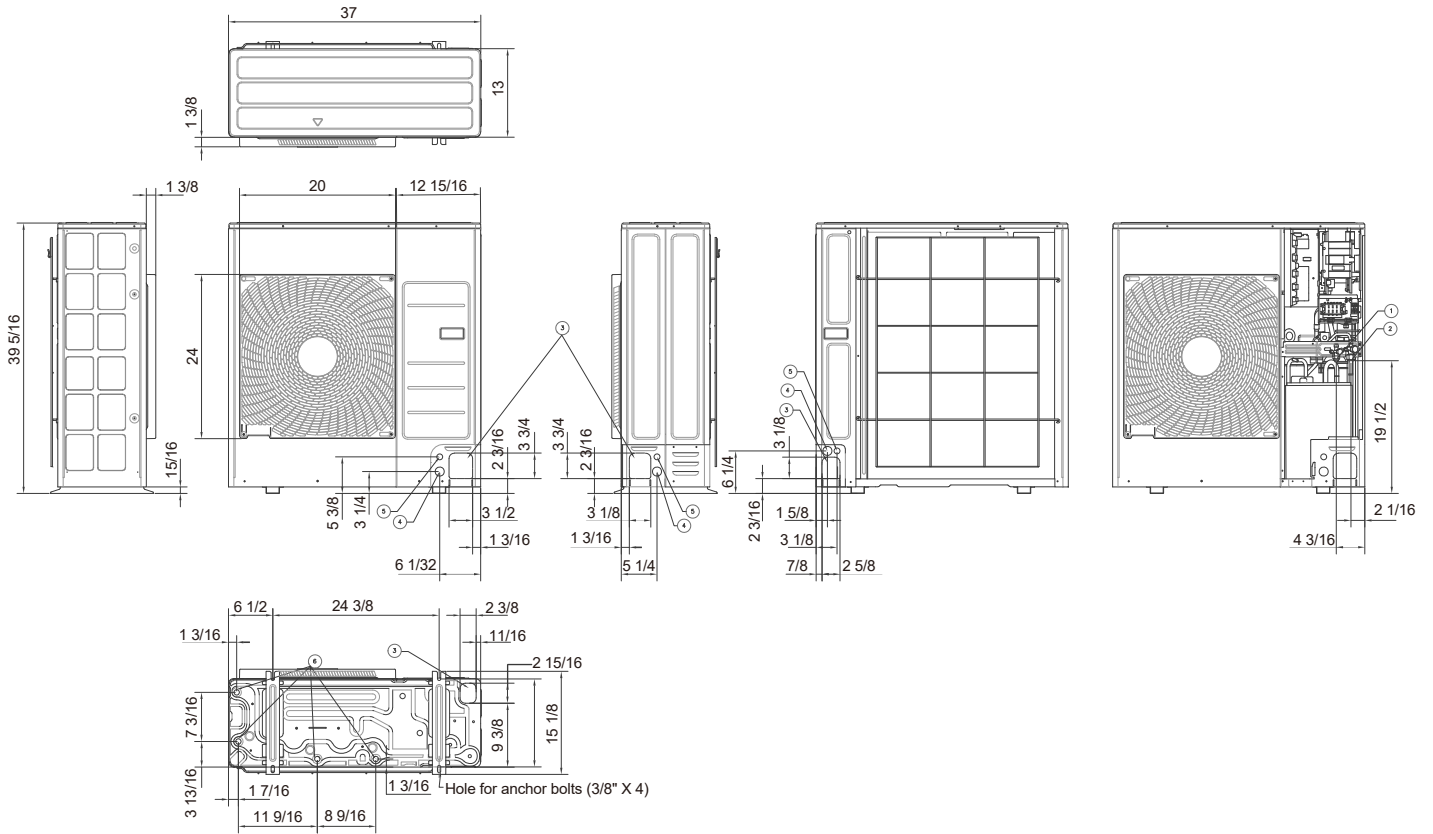
Dimensional Drawing AC030DNTDCG/AA (CNG30TDD)

Unit: Inches



Dimensional Drawing AC030DXSCCF/AA (CXF30SCD)

Unit: Inches



No.	Description
1	Liquid pipe connection
2	Gas pipe connection
3	Pipe intake knockout hole
4	Opening for power wire conduit (1 3/8")
5	Opening for communication conduit (7/8")
6	Drain hole