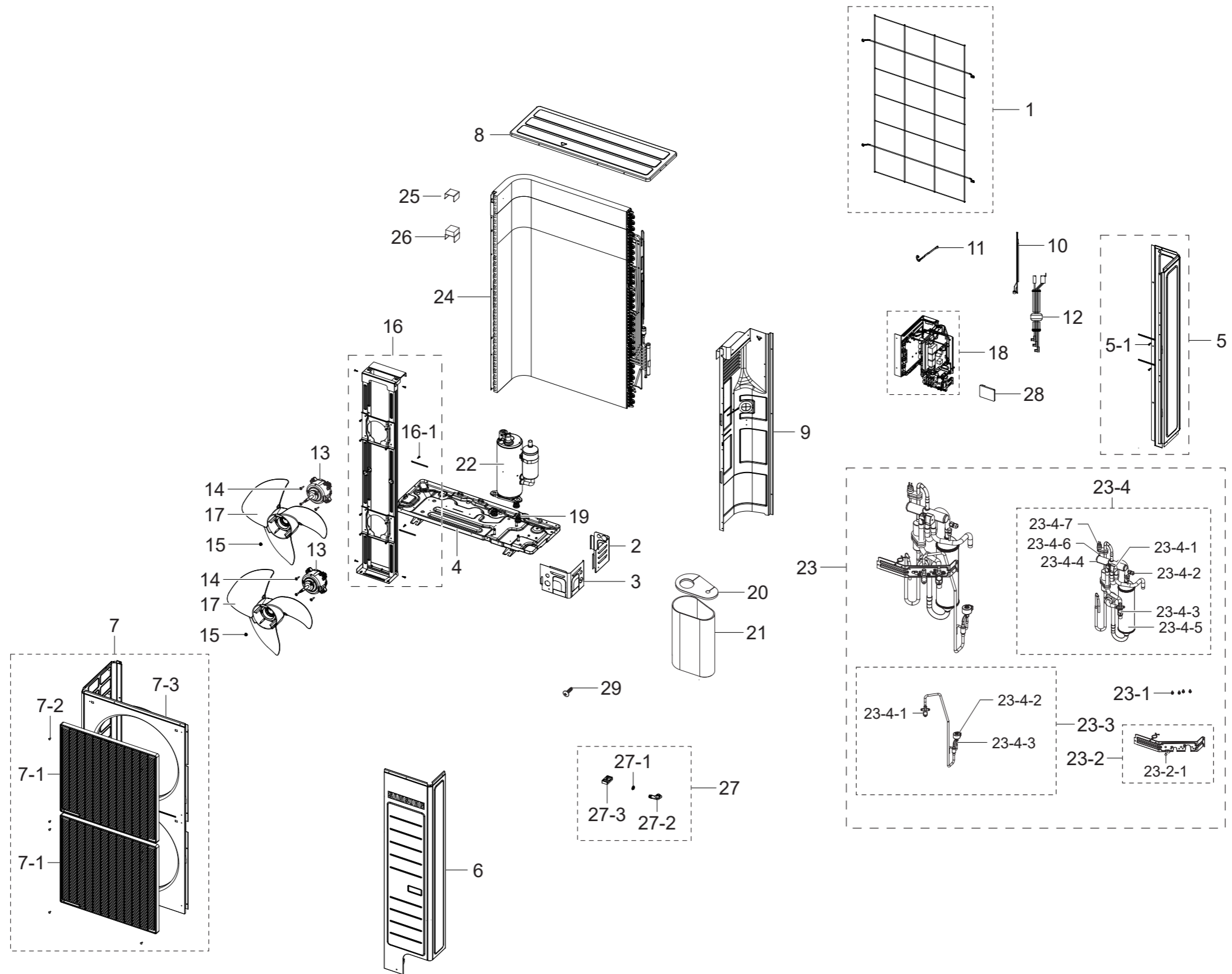


Exploded Views and Parts List

■ AC048DXADCG/AA



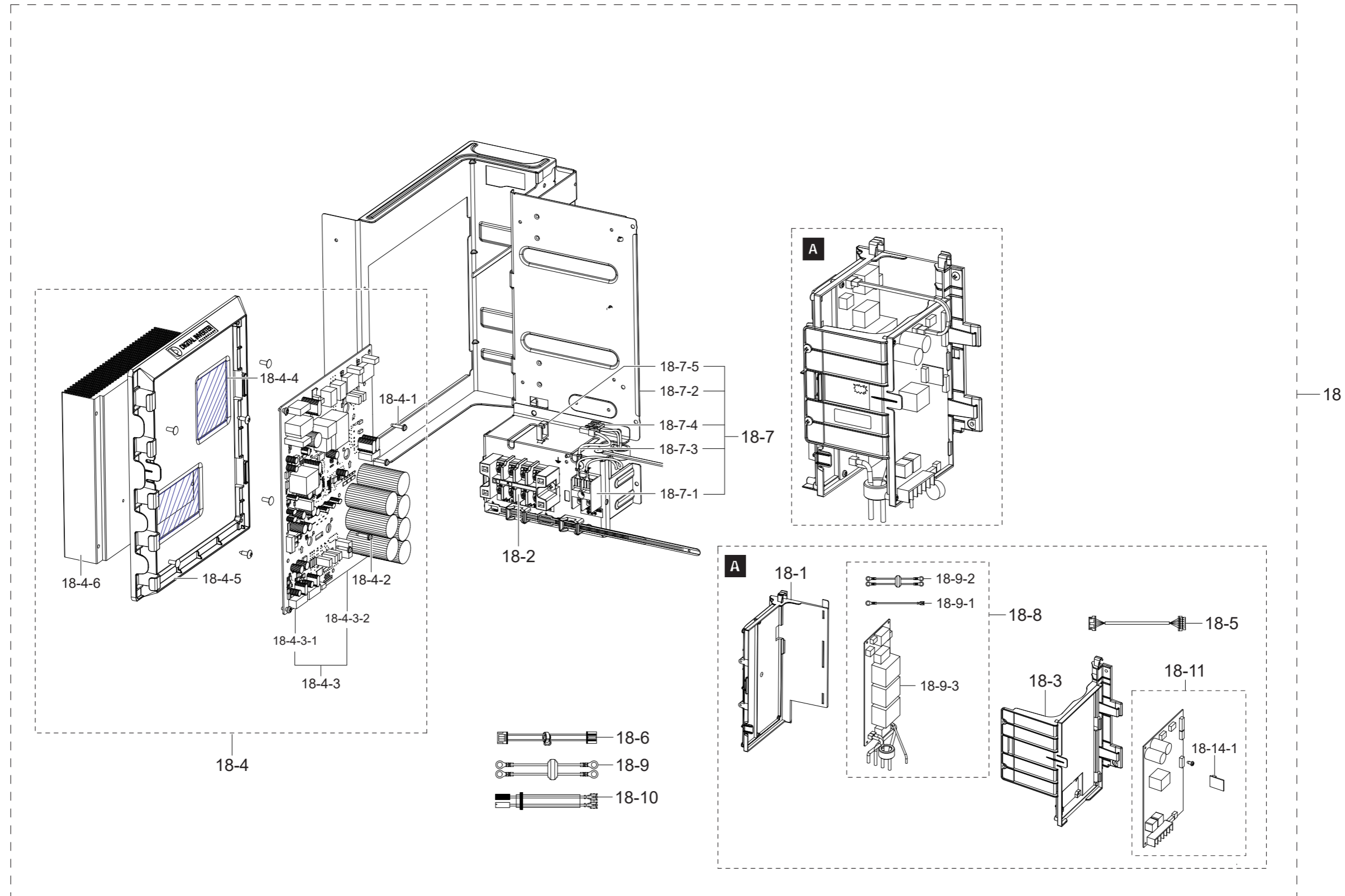
Parts List

No.	Material Code	Description	Specification	QTY	SA/SNA
1	DB63-02706D	GUARD COND	RC100ZHXA,MSWR-SWRM,EARTH BRWON,DAC-GY1001S,741,1064,PE COATING	1	SA
2	DB64-03527A	CABINET BACK-LOW	AC024BXADCH/AA,GI-SGCC,T1,UB	1	SA
3	DB64-03526A	CABINET FRONT-LOW	AC024BXADCH/AA,GI-SGCC,T1	1	SA
4	DB90-05873B	ASSY BASE OUT	MAN-U,SEAL-ADD	1	SA
5	DB90-05876G	ASSY CABI BACK-RH	AC048KXADGC/TL,UB2	1	SA
5-1	6002-000481	SCREW-TAPPING	TH,+,NO,2S,M4.0,L12,NI PLT,SWRCH18A,ZnNi + TOP Coating	2	SA
6	DB90-05877E	ASSY CABI FRONT-RIGHT	AM053FXMDCH/AA,DVM MINI	1	SA
7	DB90-05878J	ASSY CABI FRONT-LF	AC048BXADCH/AA,UB2	1	SA
7-1	DB63-04307A	GUARD-FAN	AC9100A,PP+TD20%,T3.5,NATURAL,UB2	2	SA
7-2	6002-000481	SCREW-TAPPING	TH,+,NO,2S,M4.0,L12,NI PLT,SWRCH18A,ZnNi + TOP Coating	8	SA
7-3	DB64-02522F	CABINET FRONT-LF	AJ048TXJ5CH/AA,EGI-SECC,T0.8	1	SNA
8	DB90-05902E	ASSY CABINET-TOP	RC090MHXA,EHS MONO	1	SA
9	DB94-02697H	ASSY PARTITION	AC100CXAPHH1,UB2	1	SA
10	DB32-00199A	SENSOR TEMP	DK Sensor,CAC NASA SAUDI,0°C ~ 160°C,5V,-,-,SMH250-08 (WHT),1200	1	SA
11	DB81-00635A	SPRING ETC-SENSOR	DVM-SYSTEM,STS304,R2.5,R4.5,44,0.3,2.0,N ONE	2	SA
12	DB93-08235G	ASSY CONNECTOR WIRE-COMP	3,3343,12,RED,HLT1005/BLK,MG634833S/WHT,-,835,PVC TUBE 105°C BLACK,400,OR48*30*15,8,PBA-COMP,RC100PHXA,N,-	1	SA
13	DB31-00658J	MOTOR BLDC FAN	800rpm,310V,1.0A,125W,8Pole,CW	2	SA
14	DB60-00150A	SCREW-SPECIAL	HWH,M4,L26,ZPC(WHT),SWRCH18A	8	SA
15	DB60-00405A	FASTENER-WASHER	RC100ZHXA,SWRCH10A,M8	2	SA
16	DB90-05875B	ASSY BRACKET MOTOR	RC100PHXA,R410A	1	SA
16-1	6002-000481	SCREW-TAPPING	TH,+,NO,2S,M4.0,L12,NI PLT,SWRCH18A,ZnNi + TOP Coating	14	SA
17	DB94-06687A	ASSY FAN PROPELLER	AC071MXADKH/EU,ASSY	2	SA
18	DB92-05561A	ASSY PBA KIT-OUT MODULE	INVERTER,AC5000B,23R_Pf5_CBOX,Standard	1	SNA
19	DB60-30028A	NUT-FLANGE	HWH,M8,ZPC(WHT),SWRCH18A,P1.25/Washer Type(WP)	3	SA
20	DB63-03166A	FELT-COMP TOPIN	- ,EVAR/FELT,T11.5,W169,L274,-,-	1	SA
21	DB63-03825A	CLOTH COMP-SIDE	AC036KXQPC/MG,EVAR/FELT,T1.5+T10	1	SA
22	UB5TN5450FJXSG	RCP,COMP,RCP,F,R32	RCP,COMP,RCP,F,R32	1	SA
23	DB96-26616C	ASSY TUBE SERVICE-BRACKET	UB2,H/P,UB5TN5450FJXSG,AA	1	SNA
23-1	6009-001074	BOLT-HEX	M6,L16,ZPC(WHT),HWH,+,SWRCH18A,SERATION	4	SNA
23-2	DB90-05874C	ASSY BRACKET-VALVE	RC100DHXA,T1.2,UB	1	SA
23-2-1	6002-000481	SCREW-TAPPING	SWRCH18A,NI PLT,L12,M4,TH,+,NO,2S,ZnNi + TOP Coating	1	SA
23-3	DB96-14510G	ASSY TUBE EEV	AC048DXADKG/AZ,UB2,48 kbtu,H/P,2.4C,4.6MPa	1	SA
23-3-1	DB62-09654D	VALVE SERVICE	- ,BRASS,-,-,R410A,-,-,9.52mm,-,-,4.6MPa	1	SA
23-3-2	DB62-11421D	VALVE COIL EXPAN	DC12V,COIL,1000mm,MOLDING,T-type	1	SA
23-3-3	DB62-12109C	VALVE EXPAN	- ,STS304,-,-,-,2.4mm,500,794mm,-,-,T-type,4.6MPa	1	SA
23-4	DB96-24678D	ASSY TUBE 4WAY	UB2,H/P,UB5TN5450FJXSG,AA	1	SA
23-4-1	DB33-00002J	SOLENOID-COIL ASSY	220V,2,YEL	1	SA
23-4-2	DB60-30010A	FASTENER-NUT FLARE	- ,BRASS,-,-,1/4"	1	SA
23-4-3	DB62-09658D	VALVE SERVICE-SPINDLE	BRASS,4.6MPa,R410A,15.88mm	1	SA
23-4-4	DB62-12731B	VALVE 4WAY	BRASS,5HP,4.6MPa,COMMON	1	SA
23-4-5	DB96-14716B	ASSY TUBE ANK-ACCUMULATOR	AJ050RXH5BC1	1	SA
23-4-6	DB96-24941D	ASSY SWITCH PRESSURE	HP/CO,DB34-00089A,4.2MPa	1	SA
23-4-7	DB34-00089A	SWITCH PRESSURE	DC5mA,DC5V,4.2MPa,L1200,Au	1	SA
24	DB96-14661C	ASSY COND-MODULE	UB2	1	SA
25	DB61-00533A	HOLDER-CLAMP COND	RVXMHF050GA,GI-SGCC,T0.8,W38,L25,-,-	1	SA
26	DB90-02316E	ASSY HOLDER-PLATE COND	RC100PHXA	2	SA

■ Parts List

No.	Material Code	Description	Specification	Q'TY	SA/SNA
27	DB97-05328D	ASSY ACCESSORY	HP,INV,10.0KW,N,RC100PHXEA,Global 4W-CST OUTDOOR	1	SA
27-1	DB63-10355C	CAP-DRAIN	CR,T2,BLACK,ASH-1814ER	3	SA
27-2	DB67-00806A	DRAIN-PLUG OUT	UH140GAV,PE,NATURAL	1	SA
27-3	DB73-20134A	RUBBER-LEG	V2-MD,NBR,10,BLACK	4	SA
28	DB82-08612A	SVC ASSY EEPROM-OUT	-,AC048DXADCG,AA,UB2,UB5TN5450FJX,PF5_23S,-	1	SA
29	6002-000481	SCREW-TAPPING	TH,+,NO,2S,M4.0,L12,NI PLT,SWRCH18A,ZnNi + TOP Coating	14	SA

■ ASSY PBA KIT-OUT MODULE



Parts List

No.	Material Code	Description	Specification	Q'TY	SA/SNA
18	DB92-05561A	ASSY PBA KIT-OUT MODULE	INVERTER,AC5000B,23R_Pf5_CBOX,Standard	1	SNA
18-1	DB61-04502D	CASE-EMI	RC090MHXEA,HIPS,NATURAL,VE-1877	1	SA
18-2	DB37-00034A	TERMINAL BLOCK	DFT 40A-4P-M,MELAMINE,600V,40A,85.8x45x28.5mm,D5,NO,4P,SCREW- SCREW,1(L),2(N),L,N	1	SA
18-3	DB61-05743A	CASE-PCB	AM053FXMDCH/ AA,HIPS,T2,L243.3,NATURAL,DVM MINI NASA	1	SA
18-4	DB92-05559A	ASSY PBA KIT-INVERTER	INVERTER,AC5000B,23R_Pf5_INV KIT,Standard	1	SA
18-4-1	DB91-00306A	ASSY-SCREW MACHINE	BLDC INV. CONTROLLER,M3*16,WSP,PH,+,ZPC	4	SA
18-4-2	DB91-00307A	ASSY-SCREW MACHINE	WW-INV,M4*16,WSP,PH,+,ZPC	2	SA
18-4-3	DB92-05543D	ASSY PCB INVERTER	HW,INVERTER,AC5000B,242X194mm,220~240V,15V,12V,5V,10W,23R_Pf5,Y,SMPS,Standard	1	SA
18-4-3-1	DB27-00140A	COIL HARMONIC	440uH,59.5x54x34mm,20A,OR40 " V",N	2	SNA
18-4-3-2	DB94-09758A	ASSY PCB AUTO	INVERTER,AC5000B,242X194mm,220~240V,15V,12V,5V,10W,23R_Pf5,DB92-05543D	1	SNA
18-4-4	0205-000178	GREASE-SILICON	YG6111,WHITE, for assemble Heat Sink,1Kg	0.0035	SA
18-4-5	DB61-07904A	CASE PCB	AC110BXAFHH1PP,ABS,-,L264,NATURAL,-,VE0860SE	1	SA
18-4-6	DB62-13359B	HEATSINK	23R_Pf4_5,Al,T10,W204.5,L192,Silver,H46.9,-,SILVER,IGBT MODULE_INFINEON	1	SNA
18-5	DB93-04273B	ASSY CONNECTOR WIRE- COMM	6,2095,26,BLU,SMH250-06L/WHT,SMH250-06L/WHT,-,850,-,-,-,PBA-PBA,CRYSTAL JUNIOR	1	SA
18-6	DB93-10809A	ASSY CONNECTOR WIRE-EMI TO MAIN POWER	2,1015,18,BRN,YH396-03V/WHT,YH396-03V/ WHT,-,150,-,-,-,UNKNOWN,GLOBAL 4WAY,N,-,RC140RHXEA	1	SA
18-7	DB90-12261B	ASSY PLATE-CONTROL	AC5000B	1	SNA
18-7-1	DB65-00274A	TERMINAL BLOCK	TERMINAL BLOCK,Polycarbonate, Phenol, AC300V,20A,-,-,-,-,-,TAB-SCREW,B_Type	1	SA
18-7-2	DB90-05889D	ASSY CASE CONTROL	AC145JX4PHH1	1	SA
18-7-3	DB93-17350A	ASSY CONNECTOR WIRE- EARTH	1,1015,18,YEL/GRN,MG634151/WHT,ST710095-3,-,100,-,-,-,PBA-Earth,Diffuser,-	1	SA
18-7-4	DB93-10808J	ASSY CONNECTOR WIRE- COMM	2,1015,22,RED,YH396-02VR/YEL,ST730678-3,179973-1,100,-,-, OP18C,OP18C, UNKNOWN, ND040WHXB1,N,-,ND040WHXB1, NASA MASTER	1	SA
18-7-5	DB71-50021A	WIRE-SADDLE	PA,NTR,DAWS-2N(R)	2	SA
18-8	DB92-04635A	ASSY KIT	EMI PBA,POWER WIRE,Korea_Efficient,Standard	1	SA
18-8-1	DB93-13692A	ASSY CONNECTOR WIRE- EARTH	1,1015,16,YEL/GRN,ST710095-2,ST730620-3,-,150,-,-,-,PBA TO PLATE,AEN250,N,-, EHS,EARTH,AWG16	1	SA
18-8-2	DB93-13687B	ASSY CONNECTOR WIRE- POWER	2,1015,12,BRN,ST710237-2,ST710237-2,-,150,-,-,TR29-18-15_C/T_RED,5,PBA-T/ B,AC110RX4PBH3	1	SA
18-8-3	DB93-13593A	ASSY PCB SUB-EMI	SUB,CAC-07,230*90,-,-,-,CAC,EHS-EMI,1-PHASE,N,Standard	1	SA
18-9	DB93-13687A	ASSY CONNECTOR WIRE- POWER	2,1015,12,BRN,ST710237-2,ST710237-2,-,360,-,-,TR29-18-15_C/T_RED,5,EMI PBA-T/B, AEN- 160BFBBA1,N,-, EHS,1PHASE, POWER,AWG12	1	SA
18-10	DB93-13687B	ASSY CONNECTOR WIRE- POWER	2,1015,12,BRN,ST710237-2,ST710237-2,-, 150,-,-,TR29-18-15_C/T_RED,5,PBA-T/B, AC110RX- 4PBH3	1	SA
18-11	DB92-05606A	ASSY PCB MAIN-OUT	HW,MID_MAIN_ABOV,192x121mm,220~240V,12V/5V,12W,PLFree_CAC,Y,SMPS,Standard	1	SA
18-11-1	DB82-08612A	ASSY PCB SUB-EEPROM	HW,SUB,DVMPPLUS4 UP,20*25,WATER[E_92KA_112] SUB_ _DVM PLUS4UP,DVM,N,Standard	1	SA