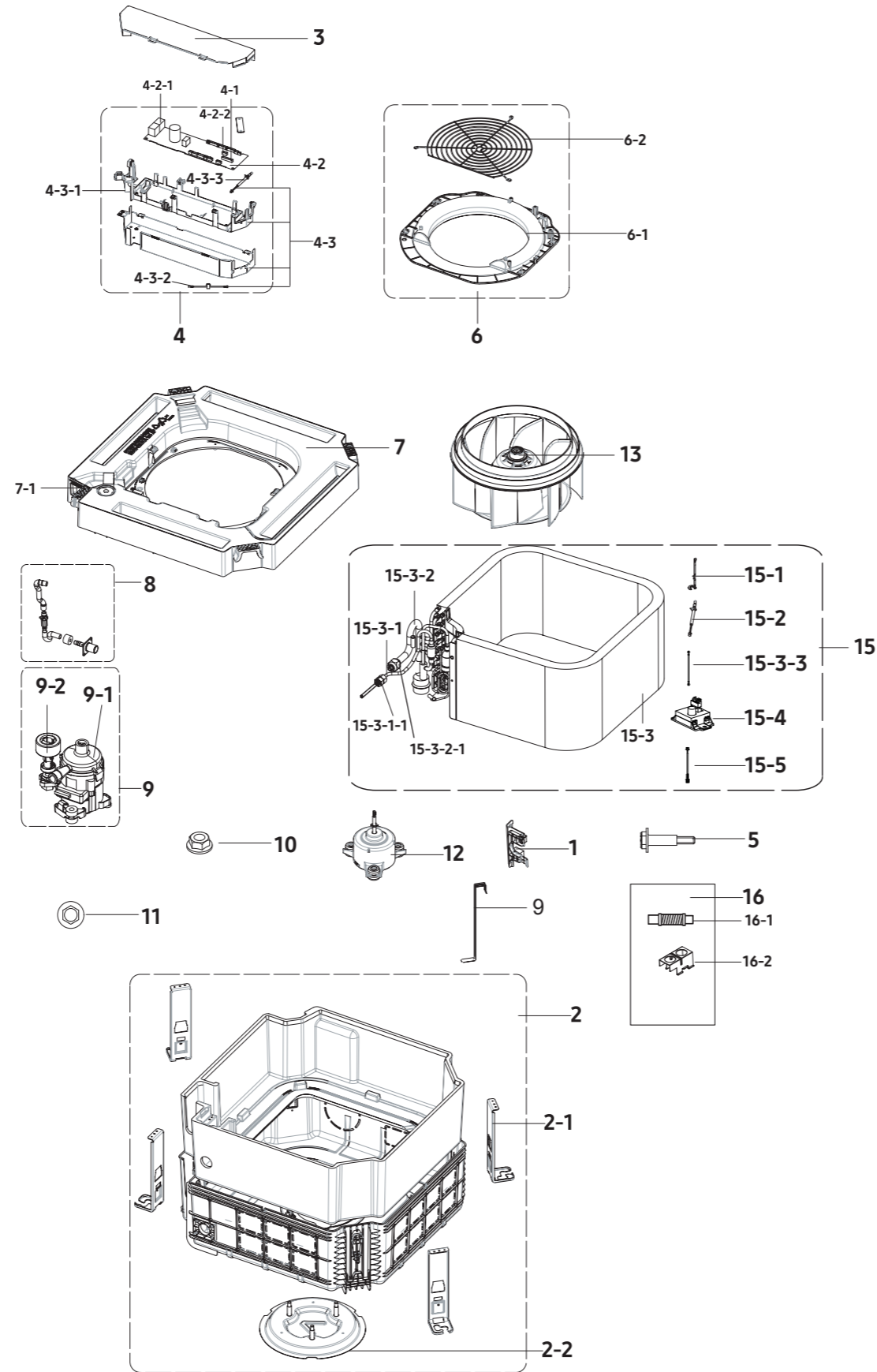


Indoor Unit (M 4WAY)

■ AC009DNND CG/AA,AC012DNND CG/AA,M22D009S6-1P,M22D012S6-1P



Parts List(AC009DNND CG/AA,AC012DNND CG/AA,M22D009S6-1P,M22D012S6-1P)

No.	Code No.	Description	Specification	Q'TY	SA/SNA
1	DB90-07024A	ASSY COVER-PIPE	GLOBAL-MINI 4WAY,SSEC	1.0	SA
2	DB90-11486A	ASSY CABI BODY	AC035TNNDKG/SA,assy	1.0	SA
2-1	DB61-05326A	PLATE-HANGER	GLOBAL-MINI-4WAY,GI-SGCC,T1.6,50,207.5,-,-	4.0	SA
2-2	DB90-07260B	ASSY BRACKET MOTOR	AC035TNNDKG/SA,ASSY	1.0	SA
3	DB90-07026B	ASSY COVER CONTROL	GLOBAL-MINI 4WAY,SSEC,GLOBAL-MINI 4WAY,SSEC	1.0	SA
4	DB92-05749A	ASSY PBA KIT-IN	INDOOR,CAC,PMA 4 WAY,PL FREE,Standard	1.0	SNA
4-1	DB92-02793A	ASSY FUNCTION	COMM,DVM NASA_CST,Standard	1.0	SA
4-2	DB92-05685B	ASSY PCB MAIN-IN	SW,INDOOR,AC5000B,260*70,220~240V,15V,12V,5V,30W,CST_Wifi_PLFree_TP1x,Y,SMP5,Standard	1.0	SA
4-2-1	DB37-00026A	TERMINAL BLOCK	DAPC 3013-2P-M,MELAMINE,300V,30A,28x19x21mm,D4,NO,2P,-	1.0	SA
4-2-2	DB92-04020A	ASSY PCB SUB	HW,SUB,20*25,Indoor EEPROM,N,Standard	1.0	SA
4-3	DB93-14026A	ASSY CONTROL IN	HP,2.2~6KW,N,AM022FNND E H/EU	1.0	SNA
4-3-1	DB61-05320A	CASE-CONTROL IN	GLOBAL-MINI-4WAY,ABS,T1.5,76.1,353.3,NATURAL,5V-A,VE-0858,SSEC	1.0	SA
4-3-2	DB93-08805D	ASSY CONNECTOR WIRE-EARTH	1,1015,18,YEL/GRN,YDH236-01W/WHT,ST710095-3,-,120,-,-,-,-,PBA-EARTH,AM140FN4DEH/EU,N,-	1.0	SA
4-3-3	DB95-05009A	ASSY THERMISTOR IN-ROOM	SMH250-02L,L100,10kohm,3%,25C,Molding	1.0	SA
5	DB60-00150A	SCREW-SPECIAL	HWH,M4,L26,ZPC(WHT),SWRCH18A	2.0	SA
6	DB90-07027A	ASSY CASE-BELL MOUTH	GLOBAL-MINI 4WAY,SSEC	1.0	SA
6-1	DB61-05319A	CASE-BELL MOUTH	GLOBAL-MINI-4WAY,HIPS,T2.5,BLACK,PH-88,SSEC	1.0	SA
6-2	DB63-03253A	GUARD-SAFETY	GLOBAL-MINI 4WAY,HSWR-SWRH,SSEC	1.0	SA
7	DB91-01417A	ASSY DRAIN PAN	GLOBAL-MINI 4WAY,SSEC	1.0	SA
7-1	DB67-01271A	RUBBER-CAP DRAIN SOCKET	MINI-4WAY,EPDM,GRAY BLUE,SSEC	1.0	SA
8	DB94-03495A	ASSY DRAIN-SOCKET	GLOBAL-MINI 4WAY,SSEC	1.0	SA
9	DB94-04236C	ASSY DRAIN-PUMP	GLOBAL 4 WAY CAC,SSEC	1.0	SA
9-1	DB31-00649L	PUMP DRAIN	400cc/min,-,1200mm,UL224,L365,V-0	1.0	SA
9-2	DB95-04462D	SWITCH FLOAT	70mm,3.4mm,660mm,SMH250-02L(BLK),SMH-250J-02RT,YST-025L3	1.0	SA
10	DB60-00406A	FASTENER-NUT FLANGE	SWRCH10A	1.0	SA
11	DB60-00462A	FASTENER-NUT WASHER	ZPC	3.0	SA
12	DB31-00578C	MOTOR FAN	FMC6531SSJ,Mini 4Way,65W,DC310V	1.0	SA
13	DB94-03385A	ASSY FAN TURBO	MINI 4WAY CST,SSEC	1.0	SA
14	DB61-05322A	HOLDER-EVAP	GLOBAL-MINI-4WAY,STS430,T0.6,W13,L210.6,SSEC	1.0	SA
15	DB96-24827C	ASSY EVAP PARTS	AC009DNND CG/AA,R32 sensor	1.0	SA
15-1	DB81-00635A	SPRING ETC-SENSOR	DVM-SYSTEM,STS304,ID2.5,OD4.5,L44,T0.3,-,W2,NONE,-,-,-,-	2.0	SA
15-2	DB95-05011A	ASSY THERMISTOR IN-EVA IN OUT	SMH200-06H,L550,10kohm,3%,25C,6phi	1.0	SA
15-3	DB96-17553F	ASSY EVAP-MAIN	AC012BNNDCH/AA,ASSY	1.0	SA
15-3-1	DB96-17386A	ASSY-TUBE DISTRIBUTOR IN	GLOBAL-MINI 4WAY,SSEC	1.0	SNA
15-3-1-1	DB60-30010A	FASTENER-NUT FLARE	-,BRASS,-,-,-,1/4"	1.0	SA
15-3-2	DB96-17387A	ASSY-TUBE COLLECTOR OUT	GLOBAL-MINI 4WAY,SSEC	1.0	SNA
15-3-2-1	DB60-30010B	FASTENER-NUT FLARE	AR12RV3HEWKXNA,BRASS,-,-,-,-	1.0	SA
15-3-3	DB93-17152B	ASSY CONNECTOR WIRE-EARTH	1,1015,12,YEL/GRN,ST710246-2,L5.5-5,-,300,-,-,-,-,PLATE-C/BOX,360CST,-	1.0	SA
15-4	DB32-00309A	SENSOR-GAS	5V,-,mm,6pin,Detection,Digital,R32 GAS Sensor	1.0	SA
15-5	DB93-18060A	ASSY CONNECTOR WIRE-DC SIGNAL	4,2095,24,BLK,SMH200-H04H3/RED,PARP-06V/WHT,-,500,-,-,-,-,PBA-SENSOR,24K_DVM_AM7500K,R32,-	1.0	SA
16	DB98-39913C	ASSY PACKING CASE ACCESSORY	G- 4 WAY,USA	1.0	SNA
16-1	DB61-06904A	HOLDER-HOSE	CAC MAX 4,PVC,T3.5,D32.43,BLACK,-,V-0-	1.0	SA
16-2	DB61-05788A	BRACKET-CONDUIT	G-4WAY,MINI 4WAY,GI-SGCC,T1,W30,L64,-,-,-,-	1.0	SA

Indoor Unit (M 4WAY)

■ AC018DNND CG/AA, M22D018S6-1P

