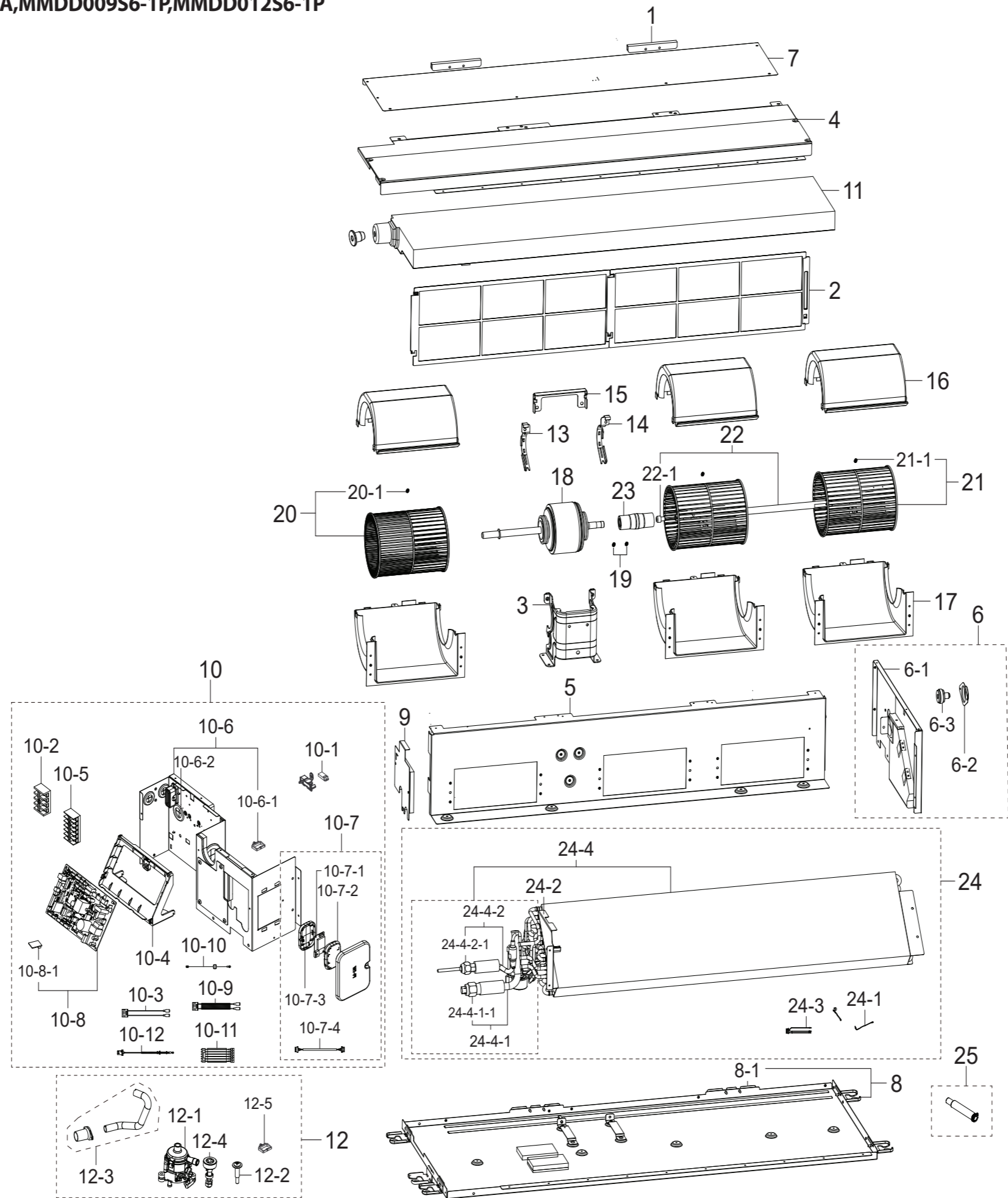


Indoor Unit (Home Duct 1)

■ AC009DNLDCG/AA,AC012DNLDCG/AA,MMDD009S6-1P,MMDD012S6-1P

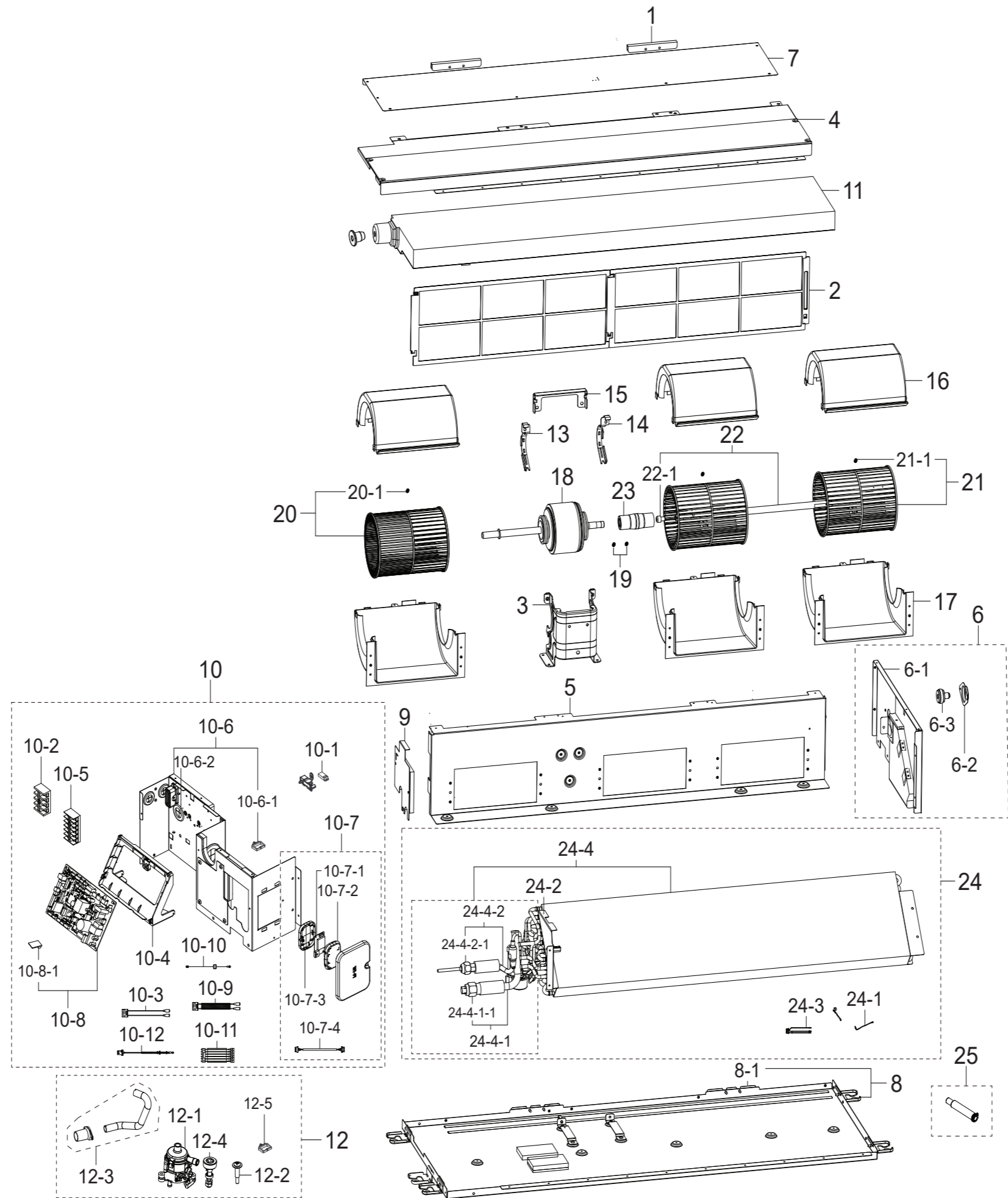


Parts List(AC009DNLD CG/AA,AC012DNLD CG/AA,MMDD009S6-1P,MMDD012S6-1P)

No.	Code No.	Description	Specification	QTY	SA/SNA
1	DB61-02643A	BRACKET-FILTER	SLIM DUCT 2,GI-SGCC,T0.8,W11,L125,-,-,-,SSEC	2.0	SA
2	DB63-03096A	FILTER-PRE	DH18BTA,PP,T2.0,186,413.8,BLACK,-,-,M1600	2.0	SA
3	DB61-06041A	BRACKET MOTOR	GI-SGCC,T2	1.0	SA
4	DB64-03323A	CABINET TOP-LOW	DVM,GI-SGCC,T0.7	1.0	SA
5	DB67-01607A	PARTITION	DVM,GI-SGCC,T1.0	1.0	SA
6-1	DB64-03235A	CABINET SIDE-LF	DVM,GI-SGCC,T0.8	1.0	SA
7	DB90-10769A	ASSY CABI TOP-UP	DVM	1.0	SA
7-1	DB64-03322A	CABINET TOP-UP	GI-SGCC,T0.7	1.0	SA
8	DB90-10770A	ASSY CABI BASE	DVM	1.0	SA
8-1	DB61-02643A	BRACKET-FILTER	SLIM DUCT 2,GI-SGCC,T0.8,W11,L125,-,-,-,SSEC	1.0	SA
9	DB90-12073A	ASSY COVER-PIPE	AM040KNLPEH2SC,ASSY	1.0	SA
10	DB92-05755A	ASSY PBA KIT-IN	INDOOR,CAC HOME DUCT,DRAIN PUMP USE,Standard	1.0	SNA
10-1	DB32-00241A	SENSOR HUMIDITY	5V,0~100%RH,AC	1.0	SA
10-2	DB37-00033C	TERMINAL BLOCK	DAF-4P-M,MELAMINE,300V,25A,58.7X36.4X22mm,D4,NO,4P,TAB-SCREW,1(L), 2(N), 1, 2	1.0	SA
10-3	DB39-01108A	CONNECT WIRE-VENTILATOR&WATER HEATER	2,RED,YH396-03VR/RED,-,-,200,-,-,-,1015,18,AM112FNHDEH/EU,-,N,2,1,1,N,-,-,-	1.0	SA
10-4	DB61-08101A	CASE PCB	AM056DNMDEH,ABS,-,L201.1,BLACK,-,884 X01	1.0	SA
10-5	DB65-00179F	TERMINAL BLOCK	DVM FRESH DUCT,PBT+G30%,300V,25A,D4,NO,6P,Tab-Screw,F1 F2 V1 V2 F3 F4,PBT	1.0	SA
10-6	DB90-09712L	ASSY CABI SIDE-CONTROL	AC018DNLD CG/AA,home duct AA model+ wifi	1.0	SA
10-6-1	DB71-00133A	WIRE-SADDLE	DVM PLUS 3,NYLON 66	1.0	SA
10-6-2	DB73-00370A	RUBBER-COVER WIRE	CHLOROPRENE RUBBER,T7,-,BLACK,-	1.0	SA
10-7	DB90-11882V	ASSY CASE PCB	AC018DNLD CG/AA,Home duct	1.0	SA
10-7-1	4709-003260	W-LAN MODULE	CCAR210R,SDA8700CSM,IEEE802.11,2.4GHz,5V,1X1,54.0x30.0x6.4mm,-,20to+85C	1.0	SA
10-7-2	DB61-07592A	CASE-BOTTOM	Wi-Fi,ABS,T1.5,L66,DA WHITE,HG-0760GP	1.0	SA
10-7-3	DB61-07593A	CASE-TOP	Wi-Fi,ABS,T1.5,L66,DA WHITE,HG-0760GP	1.0	SA
10-7-4	DB93-17392E	ASSY CONNECTOR WIRE-DC SIGNAL	5,2095,26,RED,SMH200-H05H3/WHT,SMH200-H05H3/YEL,-,600,-,-,-,-,PBA-WIFI,-,EHS WIFI PJT,-	1.0	SA
10-7-4	DB93-17392F	ASSY CONNECTOR WIRE-DC SIGNAL	5,2095,26,RED,SMH200-H05PR/WHT,SMH200-H05H3/YEL,-,1400,-,-,-,-,PBA-WIFI,-,-	1.0	SA
10-8	DB92-05596C	ASSY PCB MAIN-IN	INDOOR,CAC HOMEDUCT,194X121mm,220V,12V,5V,Y,SMPS,Standard	1.0	SA
10-8-1	DB92-04020A	ASSY PCB SUB	HW,SUB,20*25,Indoor EEPROM,N,Standard	1.0	SA
10-9	DB93-09990B	ASSY CONNECTOR WIRE-POWER	2,1015,18,BRN,YH396-03VR/BLU,175022-1,-,200,PVC/600V/105 /7PI/BL,180,-,-,-,PBA-T/B,UNKOWN,N,-,DVM NASA POWER,YH396,200mm,	1.0	SA
10-10	DB93-10906D	ASSY CONNECTOR WIRE-EARTH	1,1015,18,YEL/GRN,ST730711-3,ST710095-3,250,TR19-13-11/G8A,2,PBA-PLATE,-	1.0	SA
10-11	DB93-14029A	ASSY CONNECTOR WIRE-DC SIGNAL	6,1007,22,RED,SMH250-06L/RED,175020-1,-,350,PVC_6PI,300,-,-,-,-,N,-,DVM NASA DUCT,SMH250,6P,350mm	1.0	SA
10-12	DB95-05009D	ASSY THERMISTOR	AC,250,10,±3,25,-	1.0	SA
11	DB94-06962A	ASSY TRAY DRAIN	HOME DUCT	1.0	SA
12	DB94-08644A	ASSY DRAIN HOSE-PUMP	AC072TNLDEH2SC,ASSY	1.0	SA
12-1	DB31-00649L	PUMP DRAIN	400cc/min,-,1200mm,UL224,L365,V-0	1.0	SA
12-2	DB60-00150A	SCREW-SPECIAL	HWH,M4,L26,ZPC(WHT),SWRCH18A	2.0	SA
12-3	DB67-01174A	DRAIN HOSE-SOCKET	CH140EAMC,POM,INNER WHITE,-,K300	1.0	SA
12-4	DB95-04462D	SWITCH FLOAT	70mm,3.4mm,660mm,SMH250-02L(BLK),SMH-250J-02RT,YST-025L3	1.0	SA
12-5	DB71-00133A	WIRE-SADDLE	DVM PLUS 3,NYLON 66	1.0	SA
13	DB61-05983A	HOLDER-MOTOR	GLOBAL DUCT,GI-SGCC,T2,L155,-,-,-	1.0	SA
14	DB61-05984A	HOLDER-MOTOR	GLOBAL DUCT,GI-SGCC,T2,L155,-,-,-	1.0	SA
15	DB61-06266A	BRACKET BARRIER-MOTOR	GI-SGCC,T1.6,-,-,-	1.0	SA
16	DB90-01947C	ASSY-CASE BLOWER UPPER	SSEC	2.0	SA
17	DB90-01948B	ASSY-CASE BLOWER BOTTOM	SSEC	2.0	SA
18	DB31-00698B	MOTOR BLDC FAN	Home Duct 1,1300rpm,310V,0.176A,84W,8Pole,CCW	1.0	SA
20	DB67-00565A	BLOWER	MH020FDEZ,ABS+GF20%,-,ABSG20,OD140,NATURAL,-,-,-	2.0	SA
20-1	DB60-20011A	BOLT-SPECIAL	-,-,-,L10,-,M6,-,-,-,-	1.0	SA
24	DB96-25180B	ASSY EVAP-MODULE	AC012BNLDCH/AA,ASSY	1.0	SNA
24-1	DB81-00635A	SPRING ETC-SENSOR	DVM-SYSTEM,STS304,ID2.5,OD4.5,L44,T0.3,-,W2,NONE,-,-,-	2.0	SA
24-2	DB90-11798A	ASSY BRACKET EVAP	AC035TNLDEH2SC,SSEC	1.0	SA
24-3	DB95-05011A	ASSY THERMISTOR IN-EVA IN OUT	SMH200-06H,L550,10kohm,3%,25C,6phi	1.0	SA
24-4	DB96-25181B	ASSY EVAP-MAIN	AC012BNLDCH/AA,ASSY	1.0	SA
24-4-1	DB96-23684D	ASSY TUBE EVAP-OUT	AC012BNLDCH/AA,ASSY	1.0	SNA
24-4-1-1	DB60-30010B	FASTENER-NUT FLARE	AR12RV3HEWKXNA,BRASS,-,-,-,-	1.0	SA
24-4-2	DB96-25170A	ASSY TUBE EVAP-IN	AC052TNLDEH2SC,SSEC	1.0	SNA
24-4-2-1	DB60-30010A	FASTENER-NUT FLARE	-,BRASS,-,-,-,1/4"	1.0	SA
25	DB61-06904A	HOLDER-HOSE	CAC MAX 4,PVC,T3.5,D32.43,BLACK,-,V-0,-	1.0	SA

Indoor Unit (Home Duct 2)

■ AC018DNLDCG/AA,MMDD018S6-1P



Parts List(AC018DNLDCG/AA,MMDD018S6-1P)

No.	Code No.	Description	Specification	QTY	SA/SNA
1	DB61-02643A	BRACKET-FILTER	SLIM DUCT 2,SGCC-M,T0.8,11,125,-,SSEC	2	SA
2	DB63-03098A	FILTER-PRE	DH18BTA,PP+TD30%,T2.0,186,515,BLACK	2	SA
3	DB61-06041A	BRACKET MOTOR	GI-SGCC,T2	1	SA
4	DB64-03326A	CABINET TOP-LOW	DVM,GI-SGCC,T0.7	1	SA
5	DB67-01608A	PARTITION	DVM,GI-SGCC,T1.0	1	SA
6	DB90-10772A	ASSY CABI SIDE-LF	DVM	1	SA
6-1	DB64-03235B	CABINET SIDE-LF	DVM,GI-SGCC,T0.8	1	SA
6-2	DB67-00581A	CAP-BEARING	EH140EZMC,SGCC-M,,T0.8,-,-,-,SSEC	1	SA
6-3	DB94-00759A	ASSY-MOLD BEARING	SLIM DUCT 3,SSEC	1	SA
7	DB90-10773A	ASSY CABI TOP-UP	DVM	1	SA
7-1	DB64-03325A	CABINET TOP-UP	DVM,GI-SGCC,T0.7	1	SA
8	DB90-10774A	ASSY CABI BASE	DVM	1	SA
8-1	DB61-02643A	BRACKET-FILTER	SLIM DUCT 2,SGCC-M,T0.8,11,125,-,SSEC	2	SA
9	DB90-12073A	ASSY COVER-PIPE	AM040KNLPEH2SC,ASSY	1	SA
10	DB92-05755A	ASSY PBA KIT-IN	INDOOR,CAC HOME DUCT,DRAIN PUMP USE,Standard	1	SA
10-1	DB32-00241A	SENSOR HUMIDITY	5V,0~100%RH,AC	1	SA
10-2	DB37-00033C	TERMINAL BLOCK	DAF-4P-M,MELAMINE,300V,25A,58.7X36.4X22mm, D4,NO,4P,TAB-SCREW,1(L), 2(N), 1, 2	1	SA
10-3	DB39-01108A	CONNECT WIRE-VENTILATOR& WATER HEATER	"2,RED,YH396-03VR/RED,-,-,200,-,-,-,1015,18, AM112FNHDEH/EU,-,N,2,1,1,N,-,-,-,-"	1	SA
10-4	DB61-08101A	CASE PCB	AM056DNMDEH,ABS,-,L201.1,BLACK,-,884 X01	1	SA
10-5	DB65-00179F	TERMINAL BLOCK	DVM FRESH DUCT,PBT+G30%,300V,25A,D4,NO,6P, Tab-Screw,F1 F2 V1 V2 F3 F4,PBT	1	SA
10-6	DB90-09712L	ASSY CABI SIDE-CONTROL	AC018DNLDCG/AA,home duct AA model+ wifi	1	SA
10-6-1	DB71-00133A	WIRE-SADDLE	DVM PLUS 3,NYLON 66	1	SA
10-7	DB90-11882V	ASSY CASE PCB	AC018DNLDCG/AA,Home duct	1	SA
10-7-1	4709-003260	W-LAN MODULE	CCAR210R,SDA8700CSM,IEEE802.11,2.4GHz,5V,1X1, 54.0x30.0x6.4mm,-20to+85C	1	SA
10-7-2	DB61-07592A	CASE-BOTTOM	Wi-Fi,ABS,T1.5,L66,DA WHITE,HG-0760GP	1	SA
10-7-3	DB61-07593A	CASE-TOP	Wi-Fi,ABS,T1.5,L66,DA WHITE,HG-0760GP	1	SA
10-7-4	DB93-17392E	ASSY CONNECTOR WIRE-DC SIGNAL	5,2095,26,RED,SMH200-H05H3/WHIT, SMH200-H05H3/YEL,-,600,-,-,-,-,PBA-WIFI,-, EHS WIFI PJT,-	1	SA
10-8	DB92-05596C	ASSY PCB MAIN-IN	"INDOOR,CAC HOMEDUCT,194X121mm,220V,12V,5V,Y, SMPS,Standard"	1	SA
10-8-1	DB92-04020A	ASSY PCB SUB	SUB,-,20*25,-,-,-,Indoor EEPROM,N,Standard	1	SA
10-9	DB93-09990B	ASSY CONNECTOR WIRE-POWER	2,1015,18,BRN,YH396-03VR/BLU,175022-1,-,200, PVC/600V/105 /7PI/BL,180,-,-,PBA-T/ B,UNKOWN, N,-,DVM NASA POWER,YH396,200mm,	1	SA
10-10	DB93-10906D	ASSY CONNECTOR WIRE-EARTH	1,1015,18,YEL/GRN,ST730711-3,ST710095-3,250, TR19-13-11/G8A,2,PBA-PLATE,-	1	SA
10-11	DB93-14029A	ASSY CONNECTOR WIRE-DC SIGNAL	6,1007,22,RED,SMH250-06L/RED,175020-1,-,350, PVC_6PI,300,-,-,-,-,N,-,DVM NASA DUCT,SMH250, 6P,350mm	1	SA
10-12	DB95-05009D	ASSY THERMISTOR	AC,250,10,±3,25,-	1	SA
11	DB94-06963A	ASSY TRAY DRAIN	HOME DUCT	1	SA
12	DB94-08644A	ASSY DRAIN HOSE-PUMP	AC072TNLDEH2SC,ASSY	1	SA
12-1	DB31-00649L	PUMP DRAIN	400cc/min,PBT,1200mm,UL3266,L350,PVC,V-0	1	SA
12-2	DB60-00150A	SCREW-SPECIAL	HWH,M4,L26,ZPC(WHT),SWRCH18A	2	SA
12-3	DB67-01174A	DRAIN HOSE-SOCKET	CH140EAMC,POM,WHITE	1	SA
12-4	DB95-04462D	SWITCH FLOAT	70mm,2.5mm,660mm,SMH250-02L(BLK), SMH-250J-02RT	1	SA
13	DB61-05983A	HOLDER-MOTOR	GLOBAL DUCT,GI-SGCC,L155,T2.0	1	SA
14	DB61-05984A	HOLDER-MOTOR	GLOBAL DUCT,GI-SGCC,L155,T2.0	1	SA
15	DB61-06266A	BRACKET BARRIER-MOTOR	GI-SGCC,T1.6	1	SA
16	DB90-01947C	ASSY-CASE BLOWER UPPER	SSEC	3	SA
17	DB90-01948B	ASSY-CASE BLOWER BOTTOM	SSEC	3	SA
18	DB31-00698C	MOTOR BLDC FAN	Home Duct 2,1300rpm,310V,0.176A,84W,8Pole,CCW	1	SA
19	DB60-20011A	BOLT-SPECIAL	-,-,-,L10,-,M6,-,-,-,-	2	SA
20	DB67-00565A	BLOWER	MH020FDEZ,ABS+GF20%,,-,-,-,-	1	SA
20-1	DB60-20011A	BOLT-SPECIAL	-,-,-,L10,-,M6,-,-,-,-	1	SA
21	DB67-00576A	BLOWER	EH035EZMC,ABS+GF20%,OD140,-,-,L170,-	2	SA
21-1	DB60-20011A	BOLT-SPECIAL	-,-,-,L10,-,M6,-,-,-,-	1	SA
22	DB92-01734A	ASSY-SHAFT	SLIM DUCT,SSEC	1	SA
22-1	DB73-00285A	RUBBER-SHAFT	SLIM DUCT-3,NBR,SSEC	1	SA
23	DB96-04902A	ASSY-COUPLER	SLIM DUCT 2,SSEC	1	SA
24	DB96-25185B	ASSY EVAP-MODULE	AC018BNLDCH/AA,ASSY	1	SA
24-1	DB81-00635A	SPRING ETC-SENSOR	DVM-SYSTEM,STS304,ID2.5,OD4.5,L44,T0.3,W2,NONE	2	SA
24-2	DB90-11798A	ASSY BRACKET EVAP	AC035TNLDEH2SC,SSEC	1	SA
24-3	DB95-05011A	ASSY THERMISTOR IN-EVA IN OUT	SMH200-06H,L550,10kohm,3%,25C,6phi	1	SA
24-4	DB96-25184B	ASSY EVAP-MAIN	AC018BNLDCH/AA,ASSY	1	SA
24-4-1	DB96-23684C	ASSY TUBE EVAP-OUT	AC052TNLDEH2SC,SSEC	1	SNA
24-4-1-1	DB60-30010C	FASTENER-NUT FLARE	-,BRASS,-,-,-,-,-,-,-,-	1	SA
24-4-2	DB96-25170A	ASSY TUBE EVAP-IN	AC052TNLDEH2SC,SSEC	1	SNA
24-4-2-1	DB60-30010A	FASTENER-NUT FLARE	-,BRASS,-,-,-,-,-,-,-,-	1	SA
25	DB61-06904A	HOLDER-HOSE	PVC,T3.5,BLACK,P-1000	1	SA