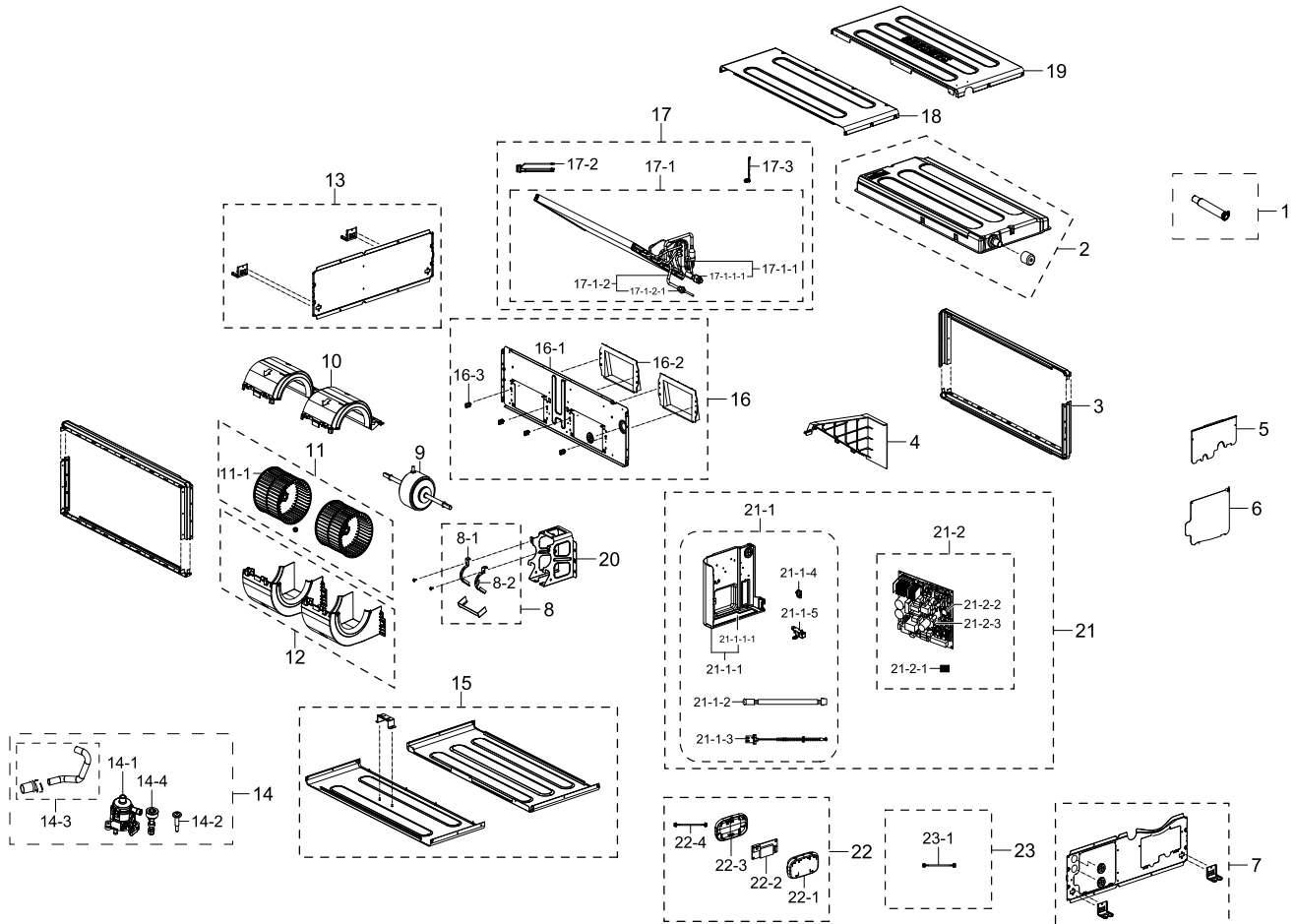


1. AC012DNHDCG/AA

AC012DNHDCG/AA

Exploded View



Parts List

No.	Lvl.	Loc.	Material Code	Description & Specification	SNA	Qty.
1	3	H0231	DB61-06904A	HOLDER-HOSE; CAC MAX 4,PVC,T3.5,D32.43,BL	SA	1
2	3	A2303	DB94-04349B	ASSY TRAY DRAIN; GD1 DUCT,DRAIN PUMP BUIL	SA	1
3	3	A0165	DB90-07910A	ASSY CABINET-FRAME; Global Duct,SSEC	SA	2
4	3		DB90-08063B	ASSY SUPPORT-EVAP; global duct,GD1 & 2,ASSY	SA	1
5	3	A0797	DB90-07905B	ASSY COVER-PIPE; AC052DNMDKF/TS,ASSY	SA	1
6	3		DB63-03544A	COVER CONTROL; Global Duct,GI-SGCC,T0.8	SA	1
7	3		DB90-07904A	ASSY CABI SIDE-RIGHT; Global Duct,SSEC	SA	1
8	2	A1348	DB90-11943A	ASSY HOLDER-MOTOR; DVM,ASSY HOLDER-MOTOR,	SA	1
8-1	3	H0256	DB61-05983A	HOLDER-MOTOR; GLOBAL DUCT,GI-SGCC,T2,L155	SA	1
8-2	3	H0256	DB61-05984A	HOLDER-MOTOR; GLOBAL DUCT,GI-SGCC,T2,L155	SA	1

Exploded Views and Parts List

No.	Lvl.	Loc.	Material Code	Description & Specification	SNA	Qty.
9	3		DB31-00639D	MOTOR BLDC FAN; SIC-70CW-F1153-2S,1200RPM	SA	1
10	2		DB90-07916A	ASSY CASE FAN-BOTTOM; Global Duct,SSEC	SA	2
11	3	A0129	DB94-04138A	ASSY BLOWER; AC-F410G,180PI	SA	2
11-1	4	B0256	DB60-20011A	BOLT-SPECIAL; -, -, -, L10, -, M6, -, -, -, -	SA	2
12	2		DB90-07917A	ASSY CASE FAN-TOP; Global Duct,SSEC	SA	2
13	3		DB90-07903B	ASSY CABI SIDE-LEFT; Global Duct,SSEC	SA	1
14	3		DB94-05032A	ASSY DRAIN PUMP; MDP-G075SQ,Global Duct B	SA	1
14-1	4		DB31-00649M	PUMP DRAIN; 400cc/min, -, 1200mm, UL224, L665	SA	1
14-2	4	S0019	DB60-00150A	SCREW-SPECIAL; HWH, M4, L26, ZPC(WHT), SWRCH1	SA	2
14-3	4	D0105	DB67-01174A	DRAIN HOSE-SOCKET; CH140EAMC, POM, INNER WH	SA	1
14-4	4	S0205	DB95-04462D	SWITCH FLOAT; 70mm, 3.4mm, 660mm, SMH250-02L	SA	1
15	3		DB90-07908C	ASSY CABI TOP; MDDD012S6-1P, Lennox model	SA	1
16	3	A1748	DB94-04345C	ASSY PARTITION; AM052ANHDBH1, ASSY	SA	1
16-1	4	P0042	DB67-01422C	PARTITION; AM052ANHDBH1, GI-SGCC, T1.2, -, -, -	SNA	1
16-2	4		DB61-05904A	CASE BLOWER-OUT; AC024HBMDKD/TC, HIPS, T2.5	SA	2
16-3	4	W0083	DB71-00058A	WIRE-SADDLE; PA66, WHITE, ID22.5	SNA	5
17	2	A1037	DB96-25336C	ASSY EVAP-TOTAL; AC012DNHDCG/AA, GD-1	SA	1
17-1	3	A1019	DB96-27033A	ASSY EVAP-MAIN; AC012DNHDCG/AA, GD-1	SA	1
17-1-1	4	A2356	DB96-27031A	ASSY TUBE EVAP-OUT; AC012DNHDCG/AA, GD-1	SA	1
17-1-1-1	5		DB60-30010B	FASTENER-NUT FLARE; AR12RV3HEWKXNA, BRASS,	SA	1
17-1-2	4	A2355	DB96-27030A	ASSY TUBE EVAP-IN; AC012DNHDCG/AA, GD-1	SNA	1
17-1-2-1	5		DB60-30010A	FASTENER-NUT FLARE; -, BRASS, -, -, -, 1/4"	SA	1
17-2	3		DB95-05011A	ASSY THERMISTOR IN-EVA IN OUT; SMH200-06H	SA	1
17-3	3	S0242	DB81-00635A	SPRING ETC-SENSOR; DVM-SYSTEM, STS304, ID2.	SA	2
18	3		DB64-03019A	CABINET-BOTTOM FAN; GLOBAL DUCT, GI-SGCC, T	SA	1
19	3		DB90-08304B	ASSY CABI BOTTOM-COND; 4MUD4518B10N0A, SSE	SA	1
20	3	B0516	DB61-05970B	BRACKET MOTOR; AC018MNHDCG/AA, GI-SGCC, T1.	SA	1
21	2		DB92-05575A	ASSY PBA KIT-IN MODULE; INDOOR, AC5000B, CA	SNA	1
21-1	3		DB90-12957E	ASSY CASE PCB; AC052DNMDKF/TS, ASSY	SA	1
21-1-1	4		DB90-11460B	ASSY CASE CONTROL; AC052DNMDKF/TS, ASSY	SA	1
21-1-1-1	5	C0230	DB61-07402C	CASE CONTROL; AC071DNMDKC/TS, GI-SGCC, T0.7	SA	1
21-1-2	4		DB32-00241C	SENSOR HUMIDITY; 5V, 90%RH, AC, 5%, 600mm, 4P	SA	1
21-1-3	4		DB95-05009D	ASSY THERMISTOR; AC, 250, 10, ±3, 25, -	SA	1
21-1-4	4	W0083	DB71-50021A	WIRE-SADDLE; PA, NTR, DAWS-2N(R)	SNA	4
21-1-5	4		DB61-08089A	HOLDER SENSOR; AC160DNMDKF/TS, PP, -, NATURA	SA	1
21-2	3	A1767	DB92-05571A	ASSY PCB MAIN-IN; HW, INDOOR, CAC GD PND, 19	SA	1
21-2-1	4	T0174	DB37-00026A	TERMINAL BLOCK; DAPC 3013-2P-M, MELAMINE, 3	SA	1

No.	Lvl.	Loc.	Material Code	Description & Specification	SNA	Qty.
21-2-2	4	A0694	DB92-04020A	ASSY PCB SUB; HW,SUB,20*25,Indoor EEPROM,	SA	1
21-2-3	4		DB92-02793B	ASSY FUNCTION; COMM,R290 EHS,2Line Sub (E	SA	1
22	2		DB90-11882U	ASSY CASE PCB; AC018DNHDCG/AA,Global duct	SA	1
22-1	3	C0429	DB61-07593A	CASE-TOP; Wi-Fi,ABS,T1.5,L66,DA WHITE,HG-	SA	1
22-2	3		4709-003260	W-LAN MODULE; CCAR210R,SDA8700CSM,IEEE802	SA	1
22-3	3	C0187	DB61-07592A	CASE-BOTTOM; Wi-Fi,ABS,T1.5,L66,DA WHITE,	SA	1
22-4	3		DB93-17392E	ASSY CONNECTOR WIRE-DC SIGNAL; 5,2095,26,	SA	1
23	2		DB98-40564A	ASSY MANUAL; SSEC	SNA	1
23-1	3		DB93-17392F	ASSY CONNECTOR WIRE-DC SIGNAL; 5,2095,26,	SA	1