

Job Name \_\_\_\_\_  
 Purchaser \_\_\_\_\_  
 Submitted to \_\_\_\_\_  
 Unit Designation \_\_\_\_\_

Location \_\_\_\_\_  
 Engineer \_\_\_\_\_  
 Reference \_\_\_\_\_ Approval \_\_\_\_\_ Construction \_\_\_\_\_  
 Schedule # \_\_\_\_\_

**Specifications**

Model	Indoor Unit Model Number	AC036MNTDCH/AA		
	Outdoor Unit Model Number	AC036JXADCH/AA		
Performance	Nominal Capacity	Cooling / Heating (Btu/h)	36,000 / 40,000	
	Capacity Range	Cooling (Btu/h)	14,000 - 39,000	
		Heating (Btu/h)	11,500 - 48,000	
	SEER / EER	18.3 / 9.3		
	COP (nominal heating)	2.84		
	HSPF	9.5		
AHRI Certification Number	10227629			
Power	Voltage	ø / V / Hz	1 / 208-230 / 60	
	Working Voltage Range (VAC)	176 - 254 (max. 3% deviation from each)		
	Operating Current	Cooling (A)	4.8 / 16.5 / 18.5	
		Heating (A)	3.7 / 17.8 / 23.0	
	Max. Breaker	Amps	35	
Min. Circuit Ampacity (A)	23.2			
Dimensions	W X H X D (in.)	Indoor Unit	50 3/8 x 13 5/8 x 10	
		Outdoor Unit	37 X 47 5/8 X 13	
	Weight (lbs.)	Indoor Unit	40.57	
		Outdoor Unit	194.01	
Heat Exchanger	Indoor & Outdoor Unit	Type	Aluminum Fin / Copper Tube	
		FPI	18	
	Outdoor Unit	Pipe Diameter (in.)	1/4	
		Type	Aluminum, flat fin, micro channel	
Sound Pressure Level	Indoor Unit dB(A)	(Silent) / L / M / H	38 / 46 / 48 / 51	
	Outdoor Unit dB(A)	Cooling / Heating (high)	49 / 51	
Operating Temperatures °F(°C)	Outdoor	Cooling	23 ~ 115°F(-5 ~ 46°C)	
		Heating	0 ~ 115°F(-18 ~ 46°C) w/ baffle -4 ~ 76°F(-20 ~ 24°C)	
	Indoor	Cooling	61 ~ 90°F(16 ~ 32°C)	
		Heating	T ≤ 80(27°C)	
Pipe Connections	Indoor & Outdoor	High side (flare)	3/8"	
		Low side (flare)	5/8"	
	Maximum (ft.)	246		
	Maximum Vertical Separation (ft.)	98		
	Condensate Connection	11/16" OD		
Refrigerant	Type	R410A		
	Control Method	Electronic Expansion Valve		
	Factory Charge	oz.	91.68	
	Charged for	25 ft		
Additional Refrigerant	0.11 oz/ft over 25 ft			
Compressor	Manufacturer	Samsung		
	Type	Inverter Driven, Twin BLDC, Rotary		
	RLA	Amps	17.0	
Evaporator Fan	Type	BLDC with Crossflow fan (1)		
	Air Volume	CFM (L/M/H)	699 / 752 / 830	
	Output (W) / FLA (A)	58 W / 0.90 A		
Condenser Fan	Motor	BLDC With Axial Type Fan (1)		
	FLA / Watts / CFM (max.)	0.96 A / 250 W / 3,040 CFM		
Optional Accessories	Wired Controller	Simplified Touch Controller	MWR-SH11UN	
		Advanced Wired Controller	MWR-WG00UN	
	Condensate pump	Aspen Mini Orange	ASP-MO-UNIV 110-250	
		Blue Diamond	BD-BLUE230	
	Wi-Fi Adapter	MIM-H04UN		
	External Temperature Sensor	MRW-TA		
	External Contact Control	MIM-B14		
	Central Control Interface Module for Connection to DVM Plus Controls (non-NASA)	MIM-N01		
	Wall Bracket (for outdoor unit)	CKN-250		
	Wind Baffles	Front	WBF-1M2	
		Back	WBB-2M	
Line Sets - insulated and flared, interconnect cables included	25' - ILS2510			
	50' - ILS5010			
Safety	Certifications	ETL (UL 1995)		
	Devices: PCB fuses, indoor unit terminal block thermal fuse, current transformer, over-voltage protection, crankcase heating, temperature limit protection logic, compressor overload sensing			



- Wall-mounted evaporator
- Low ambient control built in
- The outdoor unit shall supply power to indoor unit via 14 AWG X 3 power wire
- Auto-restart after power loss
- The outdoor unit shall have a snow accumulation prevention option setting to prevent snow drifting against an idle outdoor unit.
- The indoor unit shall have a removable EEPROM that stores system programming information, unit name, and other data
- All indoor unit addressing and option settings shall be done digitally; the indoor unit does not contain rotary dials or setting switches.
- The outdoor unit shall have a night time quiet mode option to reduce operating sound during the night. (Automatic or manual activation with dry contact signal)

**Construction**

The outdoor unit shall be galvanized steel with a baked on powder coated finish for durability

Indoor unit chassis shall be UL94 V0 with a galvanized steel mounting plate

The indoor unit shall have easy-access to wire, pipe, and drain connections via access panel on front of unit for easier installation and service

**Heat Exchanger**

The indoor unit heat exchanger shall be mechanically bonded fin to copper tube

The outdoor unit heat exchanger shall be aluminum, flat fin, micro channel

**Controls**

Control signal shall be a DDC type signal

Interconnect control wire between outdoor indoor unit shall be 16AWG X 2 shielded

Wired controls must be purchased separately

Wireless controller included

Connection to optional wired controllers shall be 2 X 16AWG shielded wire

Controls shall integrate with a BMS system

The system shall integrate with the Samsung NASA Controls Solution

No additional interface modules/adapters are required when connecting to Samsung NASA DVM S central control options.

**Refrigerant System**

The refrigerant shall be R410A

The compressor shall be hermetically sealed, inverter controlled, twin BLDC Rotary

Refrigerant flow shall be controlled by an electronic expansion valve at outdoor unit

Soft-start to reduce current demand during compressor start

**Warranty**

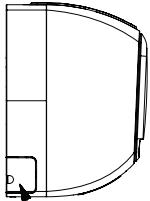
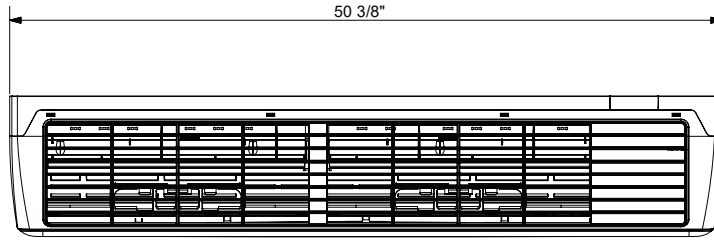
10 years compressor, 10 years parts, 1 year limited labor (conditions apply)

Certified in accordance with the AHRI Unitary Small Air-Source Heat Pumps (USHP) Certification Program which is based on the latest edition of AHRI Standard 210/240.

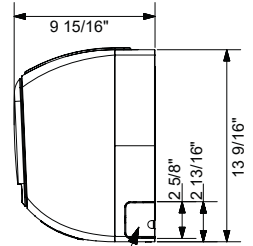
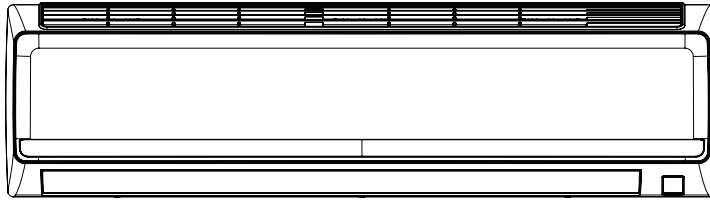
Samsung HVAC maintains a policy of ongoing development, specifications are subject to change without notice. Refer to www.AHRIdirectory.org for current reference numbers.



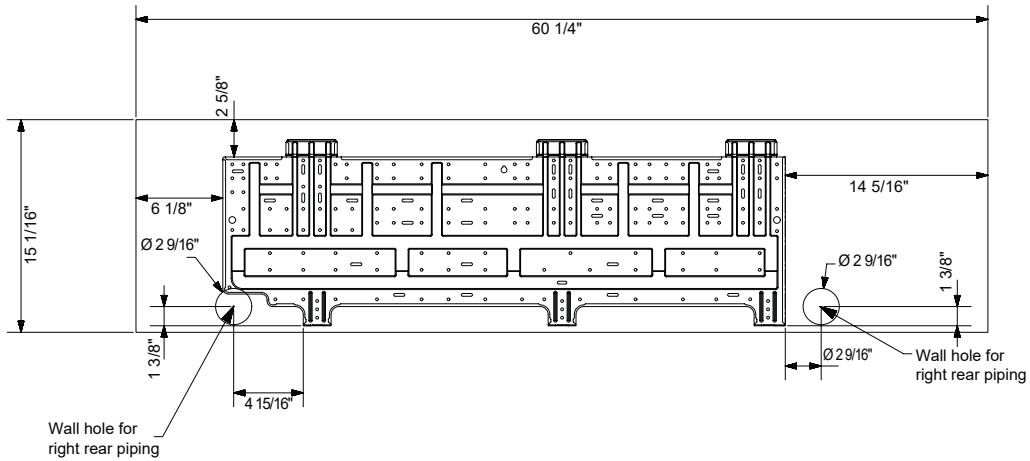
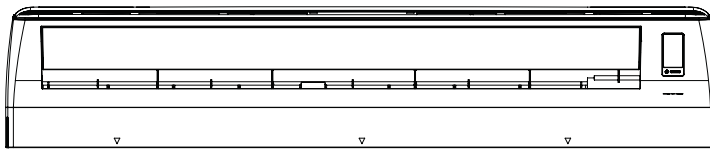
Samsung, High-Wall Evaporator, Split System  
AC036MNTDCH/AA Dimensional Drawing



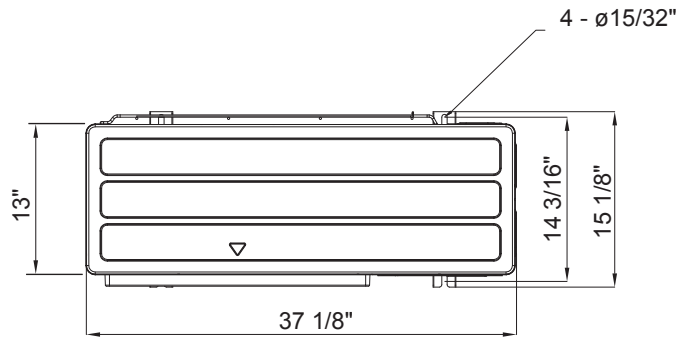
Knockout hold for left piping



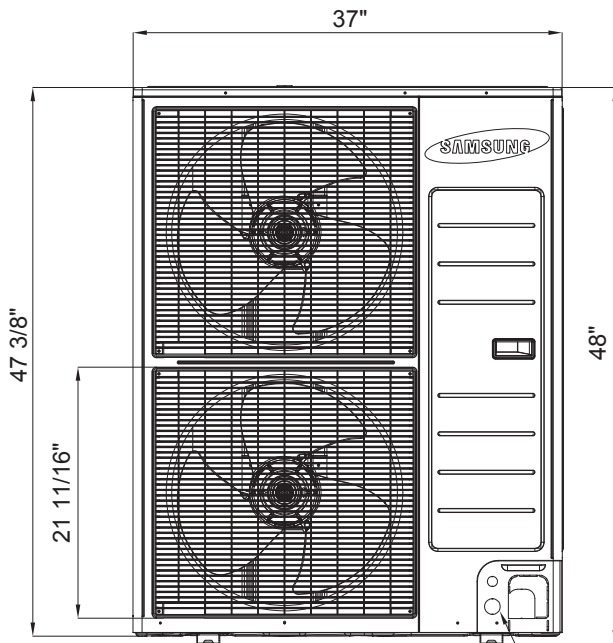
Knockout hole for right piping



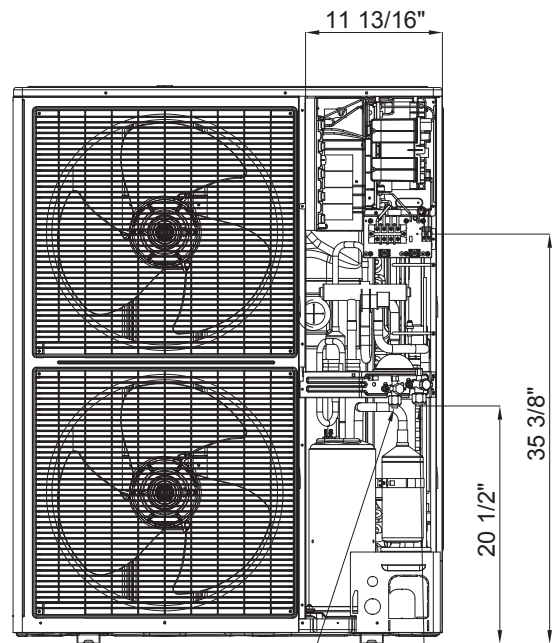
No.	Name	Description
1	Liquid pipe connection	3/8"
2	Gas pipe connection	5/8"
3	Drain pipe connection	1 1/16" OD
4	Power supply & Communication wiring conduit	-



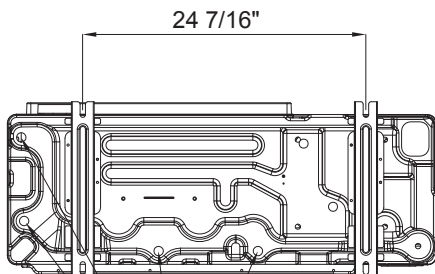
TOP



FRONT



FRONT WITHOUT SERVICE COVER



BOTTOM

No.	Description
1	Suction service valve
2	Liquid service valve
3	Drainage hole
4	Power and communication conduit openings