



URC(-FZ)(-JZ)

REMOTE CONDENSER SERIES



URC(-FZ)(-JZ)
10/01/21
Item # 13084Z

Ice Machines	Shipping Weight	Line Sets - BRAZING REQUIRED		
		25' Length	35' Length	55' Length
URC-5FZ KM-520MRJZ, KM-660MRJZ, KMD-530MRJZ, FD-650MRJZ-C, F-1002MRJZ(-C), FD-1002MRJZ-C	90 Lbs.	HS-5587	HS-5588	N/A
URC-9FZ KML-700MRJZ, KMD-860MRJZ	90 Lbs.	HS-5604	HS-5605	HS-5606
URC-14FZ KM-901MRJZ(3), KM-1100MRJZ, KM-1301SRJZ(3), KM-1340MRJZ(3) F-1501MRJZ(-C)	100 Lbs.	HS-5604	HS-5605	HS-5606
URC-22FZ KM-1601MRJZ(3), KM-1601SRJZ(3), KM-1900SRJZ(3) KM-2200SRJZ3, KMH-2100SRJZ(3), F-2001MRJZ(3)(-C)	130 Lbs.	HS-5323	HS-5324	HS-5325
URC-26JZ KM-2600SRJZ3	150 Lbs.	HS-5323	HS-5324	HS-5325

Note: Always pair the "Z" series remote condensers with the "Z" series ice makers.
Call factory for more information.



URC-9FZ



SRK-15J

- Remote condensers for KM Series Cubers and F Series Flakers / Cubelets
- Quiet operation
- Improved efficiency; Energy savings
- Weather resistant cabinet for longer life
- May be installed outdoors up to 55 feet from icemaker using a pre-charged tubing kit
- For installations exceeding 55 feet, contact Factory Service Department

Warranty

Valid in United States, Canada, Puerto Rico, & U.S. Territories.
Contact factory for warranty in other countries

When used with KM Series Cubers:

- Three Year** - Parts & Labor on entire unit.
- Five Year** - Parts on; air-cooled condenser coil.
- Five Year** - Parts on; SRK Compressor

When used with F Series Flakers:

- Three Year** - Parts & Labor on entire unit.
- Five Year** - Parts on; air-cooled condenser coil.
- Five Year** - Parts on; SRC Compressor

Hoshizaki reserves the right to change specifications without notice.





URC(-FZ)(-JZ)

REMOTE CONDENSER SERIES



URC(-FZ)(-JZ)
10/01/21
Item # 13084Z

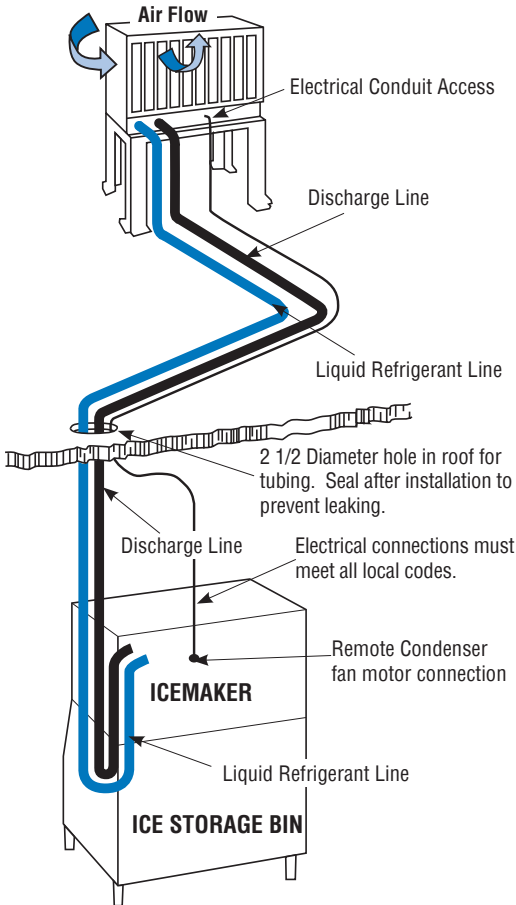
Electrical & Operating Limits

URC-5F(Z) / URC-9F(Z)
URC-14F(Z) / URC-22F(Z) / URC-26J(Z)

- 115V/60/1 (Connection to icemaker)
- Ambient Temp Range -20° - 122°F
- Voltage Range 104 - 127V

REMOTE CONDENSER INSTALLATION ON ROOF

For best performance allow 24 inch clearance for air circulation. Remote condenser should not be more than 33 feet above the KM Icemaker or no more than 10 feet below it. These distances are measured from fitting to fitting.



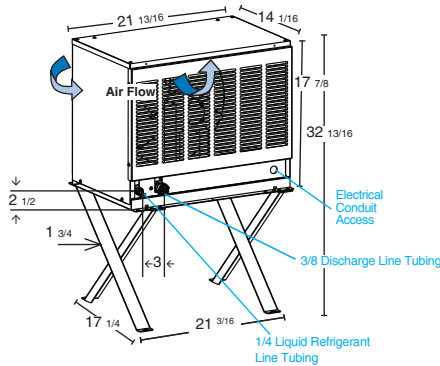
Icemaker and Storage Bin sold separately



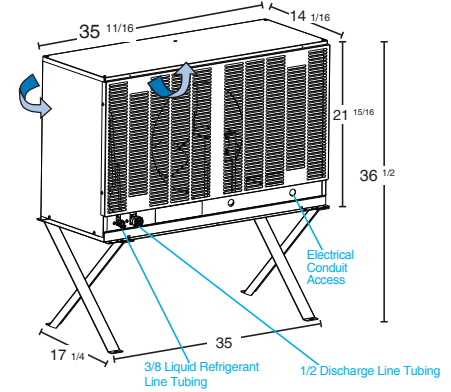
Tubing Kits

(Sold Separately)
Refer to SPECIFICATIONS table to determine appropriate Tubing Kit Number for Remote Condenser Unit Specified.

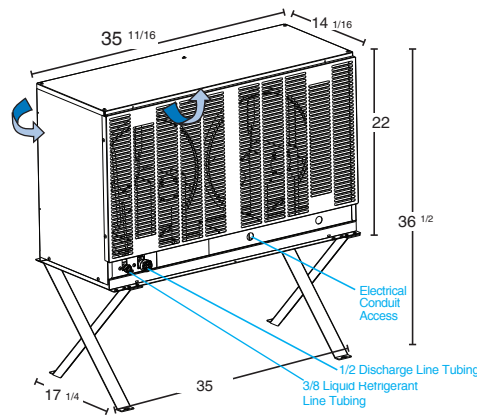
Line sets for Z models require brazing.



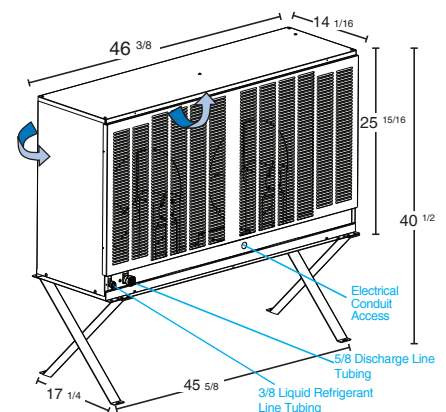
URC-5FZ
21 13/16 x 14 1/16 x 32 13/16
W x D x H (including legs/feet)



URC-9FZ
35 11/16 x 14 1/16 x 36 1/2
W x D x H (including legs/feet)



URC-14FZ
35 11/16 x 14 1/16 x 36 1/2
W x D x H (including legs/feet)



URC-22F(Z) / URC-26JZ
46 3/8 x 14 1/16 x 40 1/2
W x D x H (including legs/feet)

Discharge and liquid refrigerant lines dimensions refer to the line set tubing.