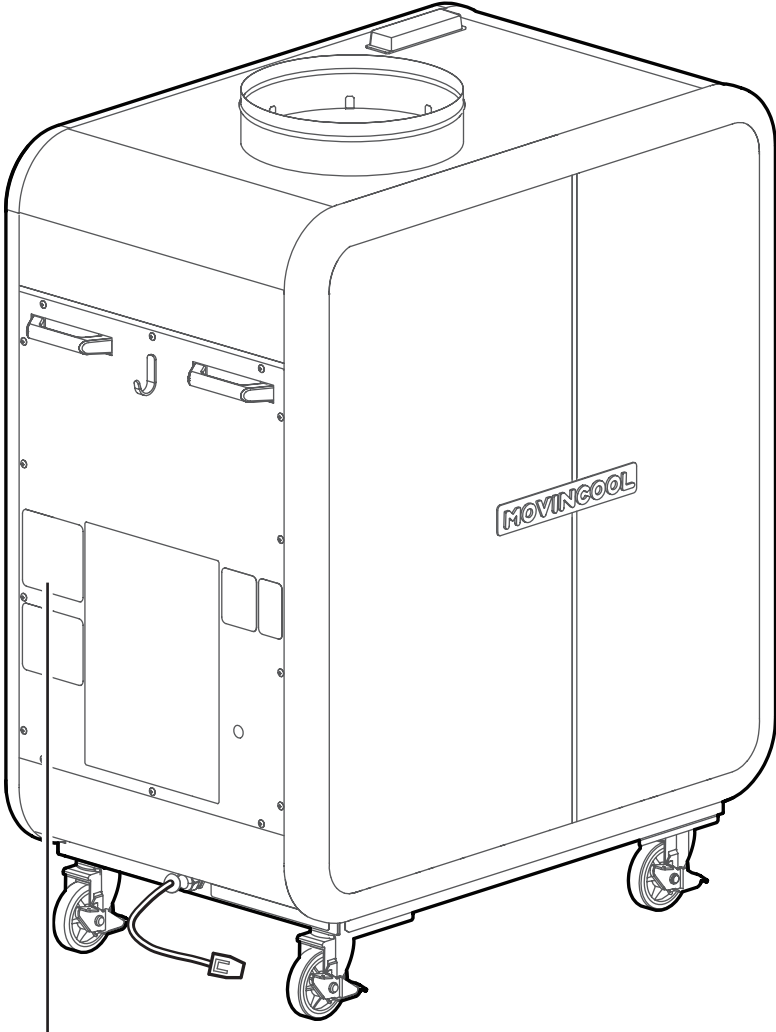


MOVINCOOL®

**SPARE PARTS
CATALOG**

CLIMATE PRO® K60

SERIAL NUMBER LOCATION



00 00 0000 000
Month Year Sequential Model
number name

© 2020 DENSO PRODUCTS AND SERVICES AMERICAS, INC. All rights reserved. MovinCool® and Climate Pro® are registered trademarks of DENSO Corporation.

TABLE OF CONTENTS

SERIAL NUMBER LOCATION _____ 2

Unit Part No: 484000-4690

Unit Serial No. Range: 1219****K60 to Present

Main Structure Parts _____ 4

Bumper Panel Parts _____ 10

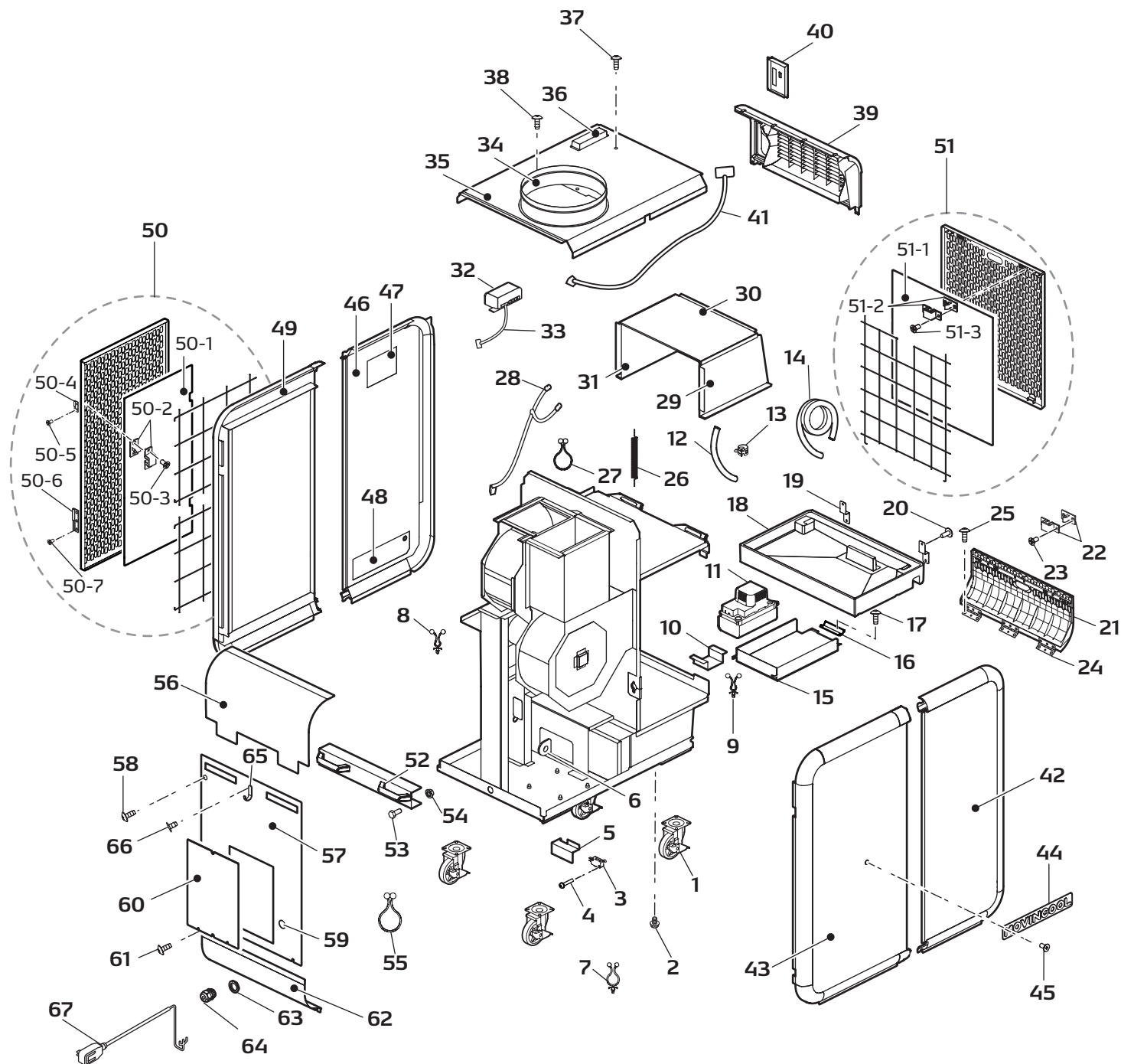
Refrigeration Parts _____ 14

Blower Parts _____ 16

Control Box Parts _____ 18

REFERENCE TABLE _____ 20

Main Structure Parts



Unit Part No: 484000-4690
 Unit Serial No. Range: 1219****K60 to Present

Y038

Main Structure Parts

No.	NAMES OF PARTS	PART No.	QTY	S/N RANGE*1	REMARKS*2
1	Caster, w/Brake	484702-0590	4		
2	Bolt, w/Washer	91470-10201	16		M8 x 1.25, L=20
3	Switch, Drain Tank	484502-0520	1		
4	Screw, w/Washer	91310-03161	2		M3 x 0.5, L=16
5	Bracket	484391-2421	1		
6	Grommet	949320-7481	1		
7	Clamp	482852-0890	2		For Compressor Wire, Φ 16
8	Clamp	482852-0680	3		Φ 11.5
9	Clamp	473459-0050	8		
10	Bracket	484321-5371	1		
11	Condensate Pump	484780-0290	1		
12	Drain Inlet Hose	7150-125500	1		2 ft, Φ 3/4 inch
13	Hose, Clip	949351-0810	1		
14	Outlet Hose	484432-0370	1		20 ft, Φ 3/8 inch
15	Frame Sub-Assy	484300-1650	1		
16	Holder	484927-0700	1		
17	Bolt	480919-1820	1		M4 x 0.7, L=10 Black
18	Pan Assy, Drain	484430-0900	1		
19	Stay	481821-3950	2		
20	Bolt	480919-1820	4		M4 x 0.7, L=10 Black
21	Drain Tank Cover	484490-1310	1		
22	Latch & Strike	484927-1580	2		
23	Screw	949006-3330	4		M4 x 0.7, L=6
24	Hinge	484912-0200	3		
25	Screw	949006-3330	6		M4 x 0.7, L=6
26	Spring, Tension Coil	484917-0280	2		For Drain Tank
27	Clamp	482852-0860	2		Φ 20
28	Thermistor Assy	484540-0100	1		
29	Deflector Assy, Side_1	484300-3960	1		
30	Deflector Assy, Top	484300-3970	1		
31	Deflector Assy, Side_2	484300-3950	1		
32	Communication Module	484500-5011	1		
33	Wire Assy	481950-3541	1		For Communication Module

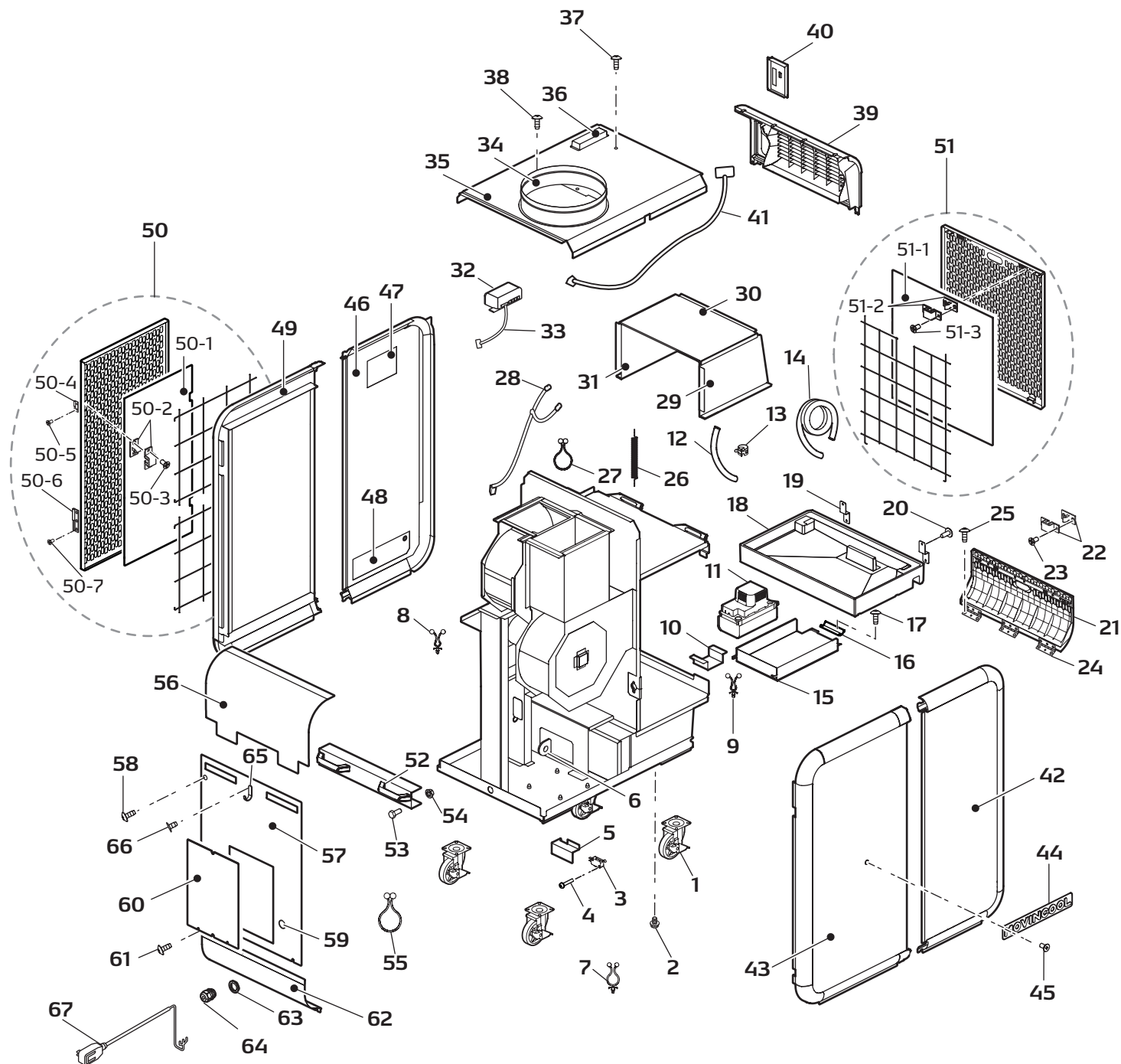
*1 Refer to page 2 for the position of the serial number on the unit. This column shows the first four digits of the serial number.

*2 Refer to the Reference Table on page 20 for more information on the remarks.

Unit Part No: 484000-4690

Unit Serial No. Range: 1219****K60 to Present

Main Structure Parts



Unit Part No: 484000-4690
 Unit Serial No. Range: 1219****K60 to Present

Y038

Main Structure Parts

No.	NAMES OF PARTS	PART No.	QTY	S/N RANGE*1	REMARKS*2
34	Round Duct	484370-0200	1		
35	Panel Sub Assy	484490-1750	1		
36	Antenna	484500-5041	1		w/Wire
37	Screw, Tapping	949006-6750	11		M6 x 1, L=12
38	Bolt	480919-1860	8		M4 x 0.7, L=6
39	Panel Assy, Top Front	484490-1710	1		
40	Controller Assy	484500-5260	1		Operation Panel
41	Wire Assy	481950-3730	1		Main Harness (RB) ↔(CB)
42	Panel Assy_1, Logo Side	484490-1430	1		No.42-1 to 42-14
43	Panel Assy_2, Logo Side	484490-1410	1		No.43-1 to 43-11
44	Logo Plate	484311-4110	1		
45	Screw	91060-04088	6		For Logo Plate, M4 × 0.7, L=8
46	Panel Assy_1, Condenser Side	484490-1400	1		No.46-1 to 46-11
47	Upper Service Panel	484490-1330	1		
48	Lower Service Panel	484470-5890	1		For Pump Installation
49	Panel Assy_2, Condenser Side	484490-1420	1		No.49-1 to 49-17
50	Panel Assy, Condenser Filter	484400-0810	1		
50-1	Filter, Condenser	484401-2530	1		Filter Panel, Wire Frame & No.50-1 to 50-7
50-2	Latch & Strike	484927-1580	2		
50-3	Screw, Tapping	949006-3300	4		M3 x 0.5, L=6
50-4	Hinge	484912-0240	1		
50-5	Screw, Tapping	949006-3300	2		
50-6	Hinge	484912-0230	1		
50-7	Screw, Tapping	949006-3300	3		
51	Panel Assy, Front Filter	484400-0800	1		Filter Panel, Wire Frame & No.51-1 to 51-3
51-1	Filter, Evaporator	484401-2520	1		
51-2	Latch & Strike	484927-1580	2		
51-3	Screw, Tapping	949006-3300	4		M3 x 0.5, L=6

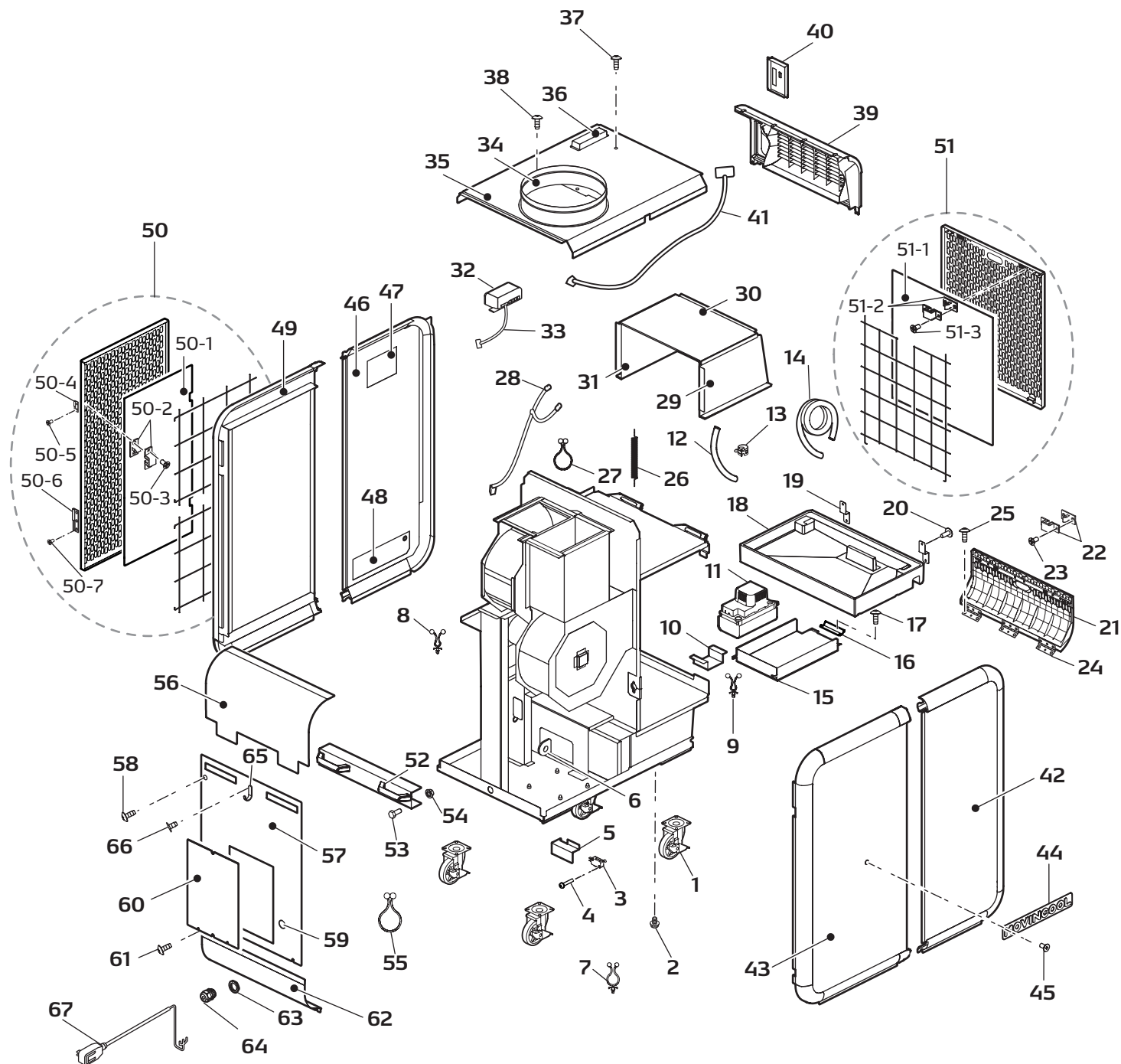
*1 Refer to page 2 for the position of the serial number on the unit. This column shows the first four digits of the serial number.

*2 Refer to the Reference Table on page 20 for more information on the remarks.

Unit Part No: 484000-4690

Unit Serial No. Range: 1219****K60 to Present

Main Structure Parts



Unit Part No: 484000-4690
 Unit Serial No. Range: 1219****K60 to Present

Y038

Main Structure Parts

No.	NAMES OF PARTS	PART No.	QTY	S/N RANGE*1	REMARKS*2
52	Handle	484450-0080	4		
53	Bolt	480919-1840	8		For Handle, M8 x 1.25, L=20
54	Nut	92150-08081	8		For Handle
55	Clamp	482852-0970	1		Φ25
56	Panel Assy, Upper Rear	484470-5591	1		
57	Panel Assy, Middle Rear	484490-1780	1		
58	Screw, Tapping	949006-6750	14		M6 x 1, L=12
59	Grommet	484926-0750	1		
60	Panel Assy, Service	484490-1450	1		
61	Bolt	480919-1820	97		M4 x 0.7, L=10 Black
62	Panel Assy, Lower Rear	484470-5600	1		
63	Nut, Holder	484919-0360	1		For Power Cord
64	Grommet	484926-1380	1		For Power Cord
65	Power Cord Holder	484927-1560	1		
66	Screw	91060-04088	2		M4 × 0.7, L=8
67	Wire Assy, Power Cord	481950-3750	1		

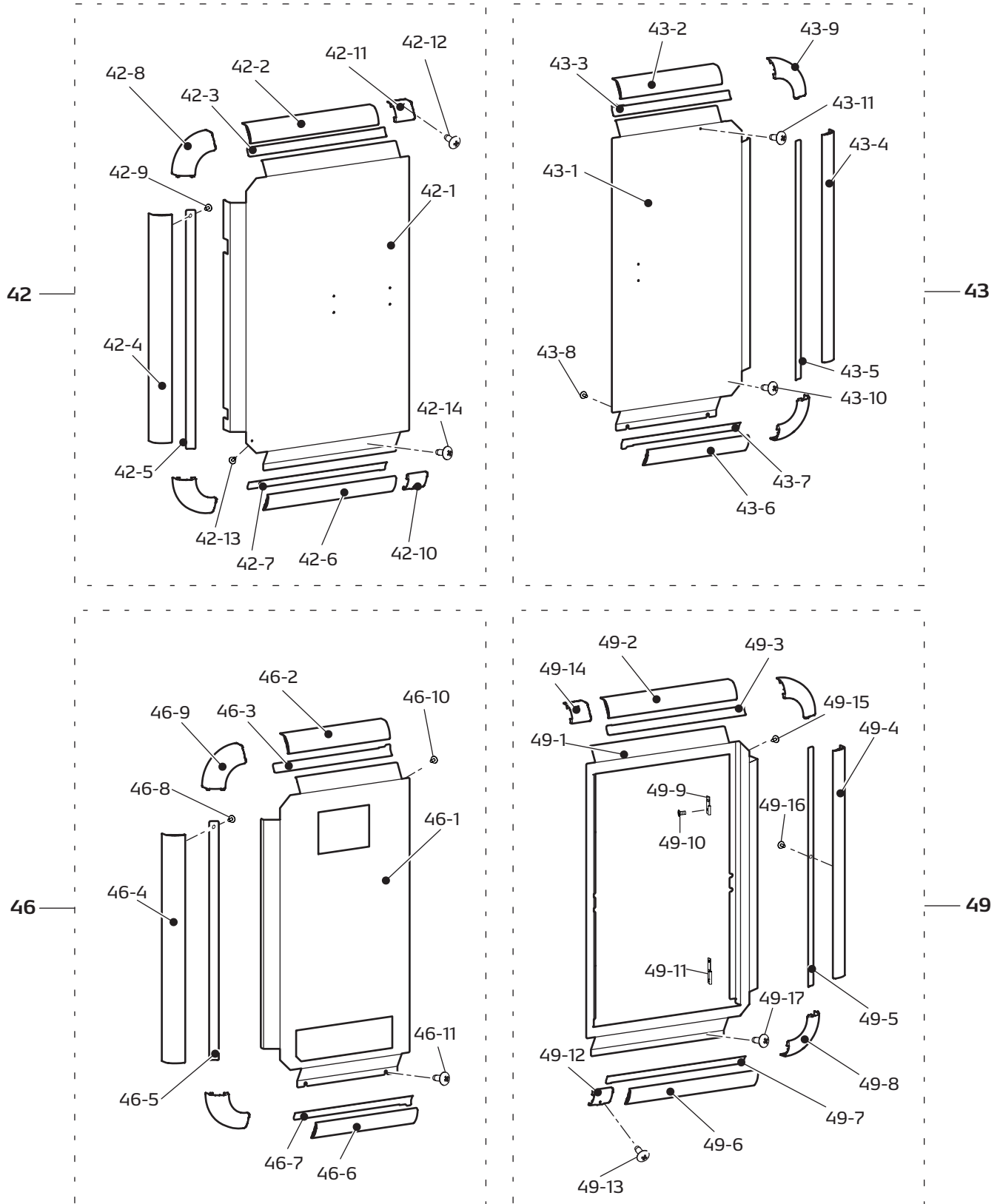
*1 Refer to page 2 for the position of the serial number on the unit. This column shows the first four digits of the serial number.

*2 Refer to the Reference Table on page 20 for more information on the remarks.

Unit Part No: 484000-4690

Unit Serial No. Range: 1219****K60 to Present

Bumper Panel Parts



Unit Part No: 484000-4690
 Unit Serial No. Range: 1219****K60 to Present

Y039

Bumper Panel Parts

No.	NAMES OF PARTS	PART No.	QTY	S/N RANGE*1	REMARKS*2
42	Panel Assy_1, Logo Side	484490-1430	1		No.42-1 to 42-14
42-1	Panel_1, Logo Side	484470-5720	1		
42-2	Upper Bumper_1	484301-7640	1		
42-3	Stay for Upper Bumper_1	484301-7670	1		
42-4	Side Bumper	484301-7800	1		
42-5	Stay for Side Bumper_1	484301-7810	1		
42-6	Lower Bumper_1	484301-7660	1		
42-7	Stay for Lower Bumper_1	484301-7650	1		
42-8	Bumper Corner	484301-7620	2		
42-9	Screw	480919-1720	10		D4, L=8
42-10	Lower Bumper Connection	484301-7690	1		
42-11	Upper Bumper Connection	484301-7680	1		
42-12	Screw, Tapping	480919-1820	2		M4 x 0.7, L=10, Black
42-13	Bolt	480919-1860	10		M4 x 0.7, L=6
42-14	Screw, Tapping	949006-6750	11		For No.42, M6 x 1, L=12
43	Panel Assy_2, Logo Side	484490-1410	1		No.43-1 to 43-11
43-1	Panel_2, Logo Side	484490-1770	1		
43-2	Upper Bumper_2	484301-7580	1		
43-3	Stay for Lower Bumper_2	484301-7610	1		
43-4	Side Bumper	484301-7800	1		
43-5	Stay for Side Bumper_2	484301-7820	1		
43-6	Lower Bumper_2	484301-7600	1		
43-7	Stay for Upper Bumper_2	484301-7590	1		
43-8	Bolt	480919-1860	8		M4 x 0.7, L=6
43-9	Bumper Corner	484301-7620	2		
43-10	Screw	480919-1720	8		D4, L=8
43-11	Screw, Tapping	949006-6750	12		For No.43, M6 x 1, L=12

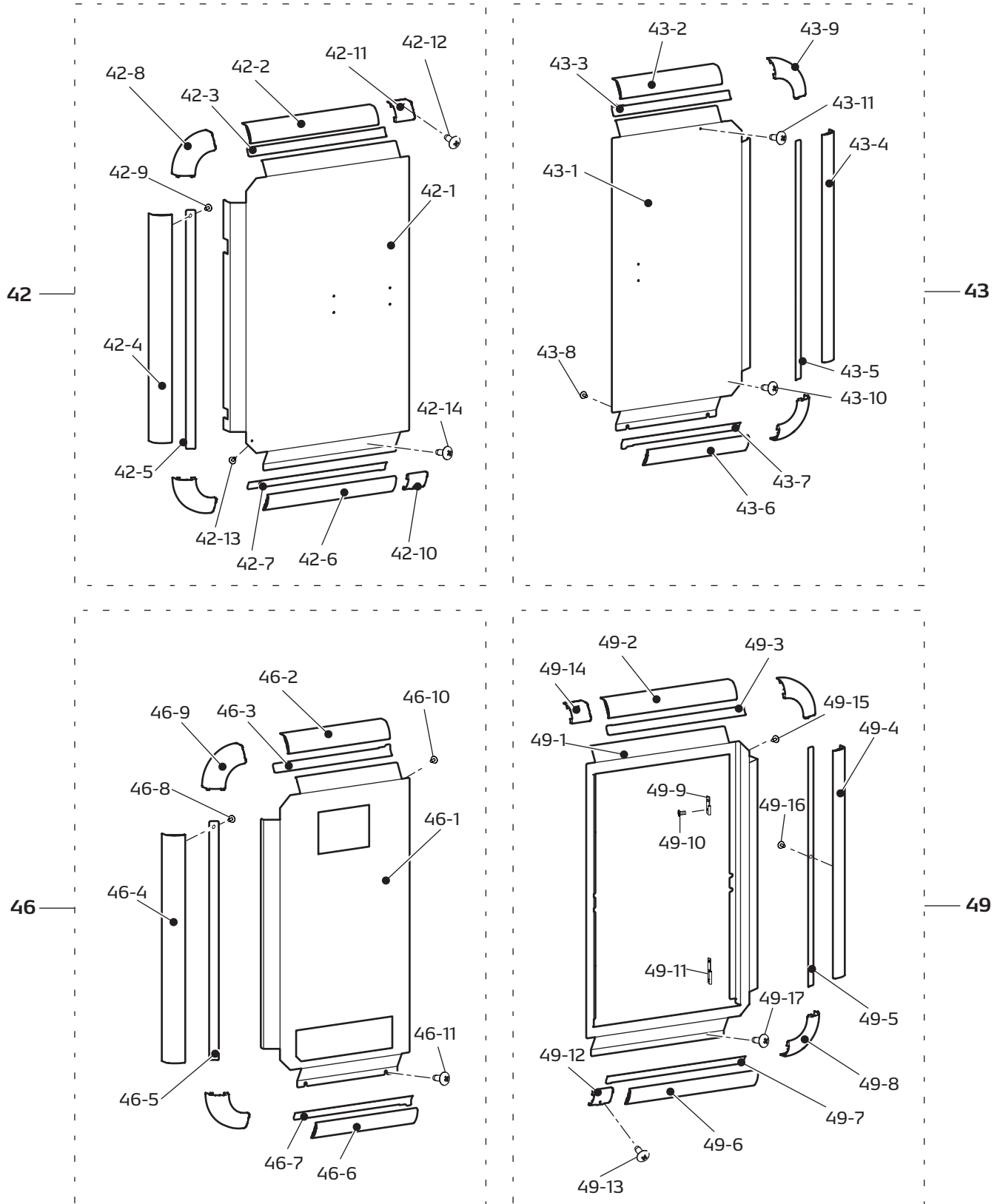
*1 Refer to page 2 for the position of the serial number on the unit. This column shows the first four digits of the serial number.

*2 Refer to the Reference Table on page 20 for more information on the remarks.

Unit Part No: 484000-4690

Unit Serial No. Range: 1219****K60 to Present

Bumper Panel Parts



Unit Part No: 484000-4690
 Unit Serial No. Range: 1219****K60 to Present

Y039

Bumper Panel Parts

No.	NAMES OF PARTS	PART No.	QTY	S/N RANGE*1	REMARKS*2
46	Panel Assy_2, Condenser Side	484490-1400	1		No.46-1 to 46-11
46-1	Panel_2, Condenser Side	484490-1760	1		
46-2	Upper Bumper_2	484301-7580	1		
46-3	Stay for Upper Bumper_2	484301-7590	1		
46-4	Side Bumper	484301-7800	1		
46-5	Stay for Side Bumper_2	484301-7810	1		
46-6	Lower Bumper_2	484301-7600	1		
46-7	Stay for Lower Bumper_2	484301-7610	1		
46-8	Bolt	480919-1860	8		M4 x 0.7, L=6
46-9	Bumper Corner	484301-7620	2		
46-10	Screw	480919-1720	8		D4, L=8
46-11	Screw, Tapping	949006-6750	13		For No.46, M6 x 1, L=12
49	Panel Assy_1, Condenser Side	484490-1420	1		No.49-1 to 49-17
49-1	Panel_1, Condenser Side	484470-5711	1		
49-2	Upper Bumper_1	484301-7640	1		
49-3	Stay for Upper Bumper_1	484301-7650	1		
49-4	Side Bumper	484301-7800	1		
49-5	Stay for Side Bumper_2	484301-7820	1		
49-6	Lower Bumper_1	484301-7660	1		
49-7	Stay for Lower Bumper_1	484301-7670	1		
49-8	Bumper Corner	484301-7620	2		
49-9	Hinge	484912-0220	1		Upper side
49-10	Screw	949006-3300	5		M3 x 0.5, L=6
49-11	Hinge	484912-0210	1		Lower side
49-12	Lower Bumper Connection	484301-7690	1		
49-13	Screw, Tapping	480919-1820	6		M4 x 0.7, L=10, Black
49-14	Upper Bumper Connection	484301-7680	1		
49-15	Bolt	480919-1860	10		M4 x 0.7, L=6
49-16	Screw	480919-1720	10		D4, L=8
49-17	Screw, Tapping	949006-6750	10		For No.49, M6 x 1, L=12

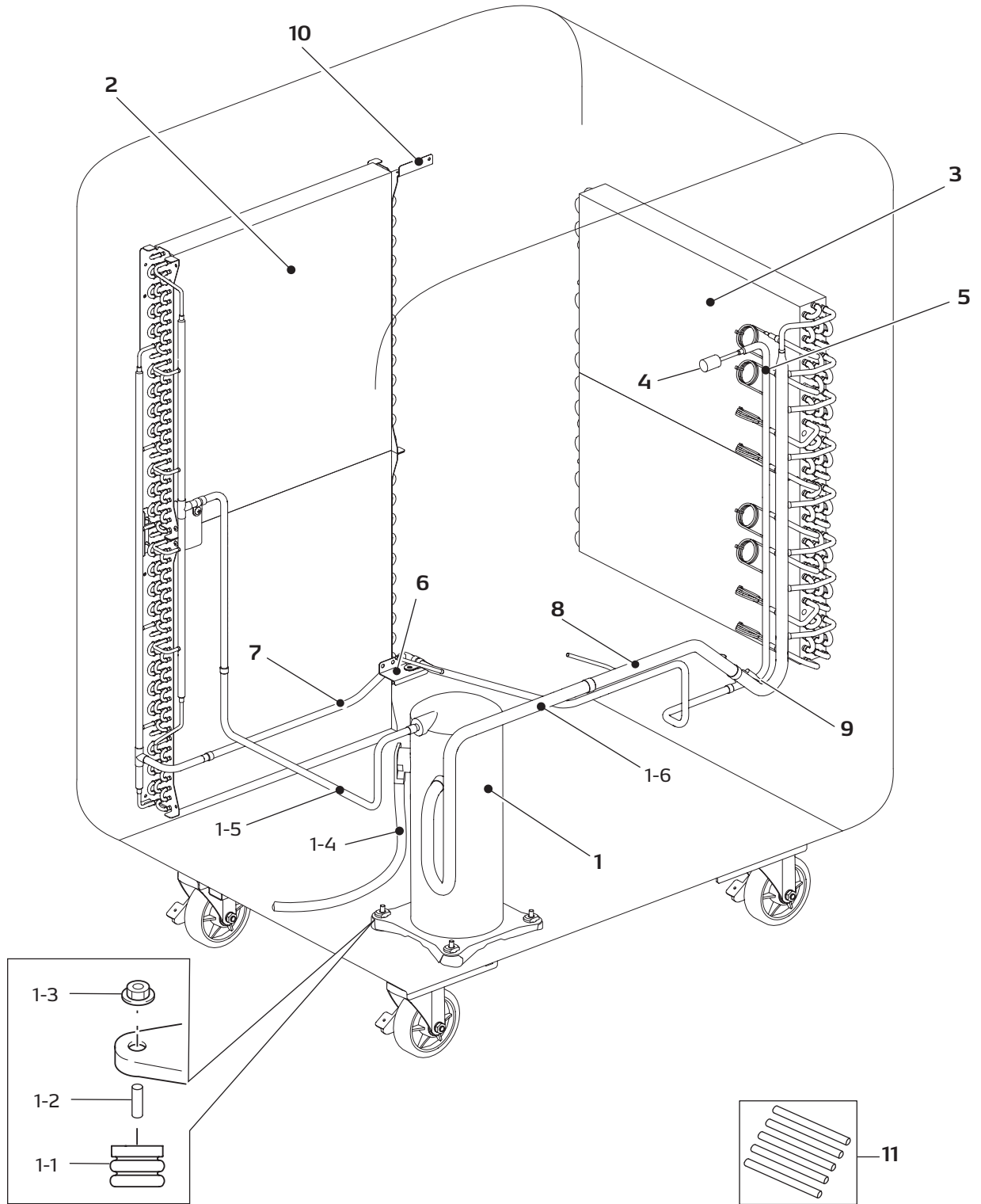
*1 Refer to page 2 for the position of the serial number on the unit. This column shows the first four digits of the serial number.

*2 Refer to the Reference Table on page 20 for more information on the remarks.

Unit Part No: 484000-4690

Unit Serial No. Range: 1219****K60 to Present

Refrigeration Parts



Unit Part No: 484000-4690
Unit Serial No. Range: 1219****K60 to Present

Y040

Refrigeration Parts

No.	NAMES OF PARTS	PART No.	QTY	S/N RANGE*1	REMARKS*2
1	Compressor Assy	484650-3630	1		w/No.1-1 to 1-6
1-1	Cushion	484904-0170	4		
1-2	Collar	484915-0230	4		
1-3	Nut	482814-0300	4		w/Washer, M8
1-4	Wire Assy	481950-3740	1		
1-5	Pipe Assy	480261-8370	1		
1-6	Pipe Assy	480261-8380	1		
2	Core Assy, Condenser	484600-3320	1		
3	Core Assy, Evaporator	484610-2880	1		
4	Switch Assy, Pressure	484660-0720	1		
5	Pipe Assy	484800-6740	1		
6	Bracket	484321-5350	1		
7	Pipe Assy	484800-6690	1		
8	Pipe Assy	484800-6640	1		
9	Thermistor Assy	484540-0100	1		
10	Stay	481821-4000	1		
11	Pipe Assy, Charging	484800-0440	1		5 pieces per package

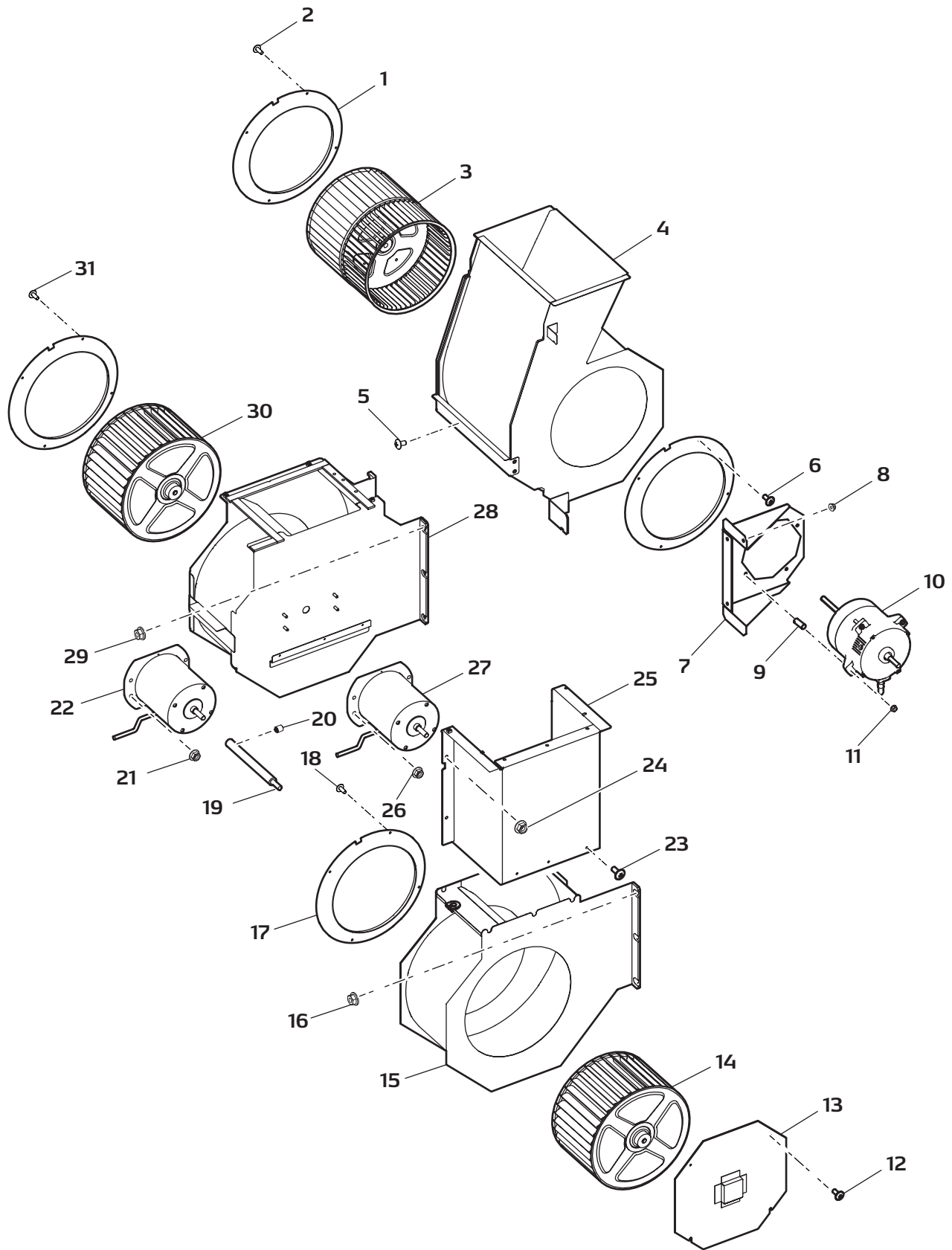
*1 Refer to page 2 for the position of the serial number on the unit. This column shows the first four digits of the serial number.

*2 Refer to the Reference Table on page 20 for more information on the remarks.

Unit Part No: 484000-4690

Unit Serial No. Range: 1219****K60 to Present

Blower Parts



Unit Part No: 484000-4690
Unit Serial No. Range: 1219****K60 to Present

Y041

Blower Parts

No.	NAMES OF PARTS	PART No.	QTY	S/N RANGE*1	REMARKS*2
1	Ring	484381-1310	2		
2	Bolt	480919-1820	4		M4 x 0.7, L=10, Black
3	Fan, Evaporator	484221-0970	1		
4	Casing Assy, Evaporator Fan	484260-0720	1		
5	Bolt, w/Washer	949006-6750	4		M6 x 1, L=12
6	Screw	949006-5850	4		M4 x 0.7, L=10
7	Motor Stay	484310-7280	1		
8	Nut	92150-06061	4		M6
9	Collar	484915-0500	4		
10	Fan Motor, Evaporator	484211-2430	1		
11	Nut	92150-06061	4		
12	Bolt	480919-1820	4		M4 x 0.7, L=10, Black
13	Cover, Sub-Assy	484390-1411	1		
14	Fan, Condenser	484221-0950	1		
15	Casing, Condenser Fan	484260-0740	1		
16	Nut	92150-06061	3		M6
17	Ring	484381-1320	2		
18	Screw	949006-5850	4		M4 x 0.7, L=10
19	Extension Shaft	484272-0640	1		
20	Set Screw	482803-1380	1		M6, L=8
21	Nut	92150-08081	4		M8
22	Fan Motor, Condenser	484211-2460	1		
23	Bolt	480919-1820	6		M4 x 0.7, L=10, Black
24	Nut	92150-06061	4		M6
25	Stay Sub-Assy	484340-3910	1		
26	Nut	92150-08081	4		M8
27	Fan Motor, Condenser	484211-2460	1		
28	Casing, Condenser Motor	484260-0750	1		
29	Nut	92150-06061	6		M6
30	Fan, Condenser	484221-0960	1		
31	Screw	949006-5850	4		M4 x 0.7, L=10, Black

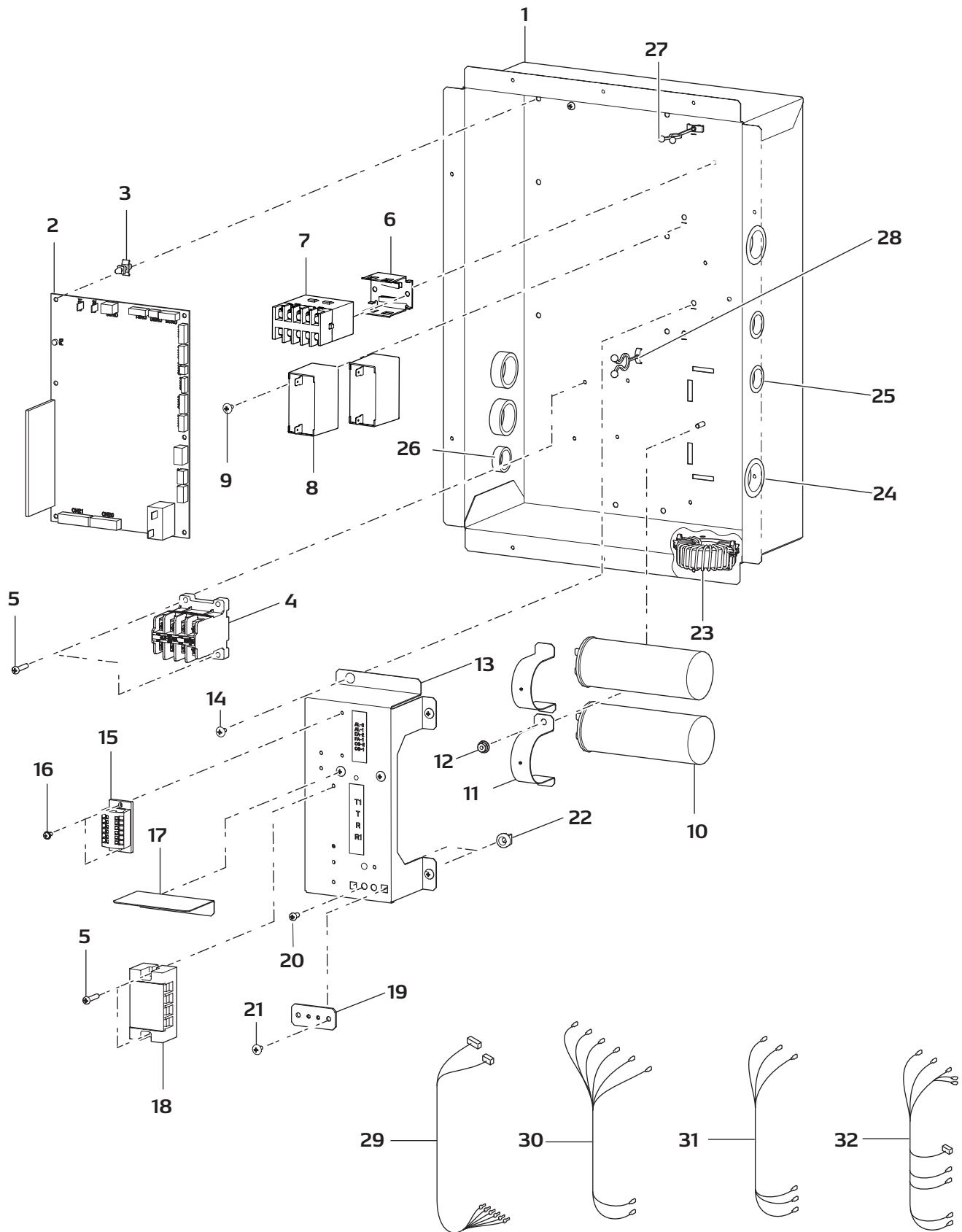
*1 Refer to page 2 for the position of the serial number on the unit. This column shows the first four digits of the serial number.

*2 Refer to the Reference Table on page 20 for more information on the remarks.

Unit Part No: 484000-4690

Unit Serial No. Range: 1219****K60 to Present

Control Box Parts



Unit Part No: 484000-4690
 Unit Serial No. Range: 1219****K60 to Present

Y042

Control Box Parts

No.	NAMES OF PARTS	PART No.	QTY	S/N RANGE*1	REMARKS*2
1	Service Box	484520-1472	1		
2	Relay Board	484500-5330	1		
3	Support	482125-3170	6		
4	Relay	484531-1050	1		
5	Screw	949006-8520	4		Φ4, L=20
6	Holder	484927-1290	1		
7	Relay	484531-0990	1		
8	Capacitor	484507-2300	2		450VAC, 7μF
9	Screw	949006-3250	2		M4 x 0.7, L=10
10	Capacitor, Compressor	484507-2290	2		370VAC, 40μF
11	Holder	482857-0690	2		
12	Nut	949056-1501	1		M4
13	Bracket	484320-0990	1		
14	Screw	949006-5850	6		M4 x 0.7, L=10
15	Terminal Block	484503-1570	1		For Input/Output Signal
16	Screw, w/Washer	91370-03081	2		M3 x 0.5, L=8
17	Stay	481821-4020	1		
18	Terminal Block	484503-1620	1		For Power
19	Plate	484311-4170	1		
20	Screw	91051-04080	7		Ground (M4×0.7, L=8)
21	Screw	480919-1720	2		Φ4, L=8
22	Grommet	482836-3520	2		
23	Wire Assy	481950-3720	1		
24	Grommet	484926-0860	4		Φ26
25	Grommet	949321-3000	2		Φ15
26	Grommet	949321-3010	1		Φ19
27	Clamp	482854-0730	5		
28	Clamp	482852-1010	1		
29	Wire Assy	481950-3701	1		(TB)↔(RB)
30	Wire Assy	481950-3760	1		(TB, MCC)↔(MCF)
31	Wire Assy	481950-3770	1		(CC2)↔(CC1, MCC)
32	Wire Assy	481950-3781	1		(TB, MCC)↔(MCF, RB)

*1 Refer to page 2 for the position of the serial number on the unit. This column shows the first four digits of the serial number.

*2 Refer to the Reference Table on page 20 for more information on the remarks.

Unit Part No: 484000-4690

Unit Serial No. Range: 1219****K60 to Present

REFERENCE TABLE

ABBREVIATION	MEANING
CB	Control Board
CC	Capacitor for Compressor
MCF	Fan Motor Relay
MCC	Relay for Compressor and Condenser Fan Motor
RB	Relay Board
TB	Terminal Block

MEMO

DENSO

DENSO PRODUCTS AND SERVICES AMERICAS, INC.

Long Beach, CA 90810
www.movincool.com