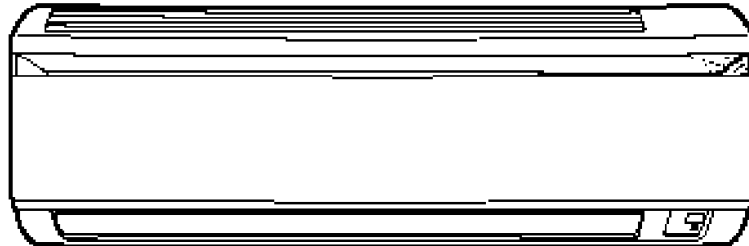


## FTXS Mini-Split Heat Pump Indoor Section

FTXS09LVJU  
FTXS12LVJU  
FTXS15LVJU  
FTXS18LVJU  
FTXS24LVJU



This manual is to be used by qualified technicians only.

© 2013 Daikin Company, L.P. ♦ 5151 San Felipe St., Suite 500 ♦ Houston, TX 77056

# Important Information

---

## Index

Functional Parts List .....	3
Illustration and Parts .....	4 - 7

*Views shown are for parts illustrations only, not servicing procedures.*

### Text Codes:

AR - As Required

NA - Not Available

NS - Not Shown

00000000 - See Note

QTY - Quantity Example (QTY 3) (If Quantity not shown, Quantity = 1)

M - Model Example (M1) (If M Code not shown, then part is used on all Models)

### Expanded Model Nomenclature:

Example
M1 - Model#1
M2 - Model#2
M3 - Model#3

Daikin Company, L.P. is not responsible for personal injury or property damage resulting from improper service. Review all service information before beginning repairs.

Warranty service must be performed by an authorized technician, using authorized factory parts. If service is required after the warranty expires, Daikin Company, L.P. also recommends contacting an authorized technician and using authorized factory parts.

Daikin Company, L.P. reserves the right to discontinue, or change at any time, specifications or designs without notice or without incurring obligations.

For assistance within the U.S.A. contact:

Consumer Affairs Department  
Daikin North America, LLC  
7401 Security Way  
Houston, Texas 77040  
855-770-5678-Telephone  
713-863-2382-Facsimile

For assistance outside the U.S.A. contact:

International Division  
Daikin North America, LLC  
7401 Security Way  
Houston, Texas 77040  
713-861-2500-Telephone  
713-863-2382-Facsimile

# Functional Parts

## Part

## No: Description:

---

4009358	DC FAN MOTOR (M3, M4, M5)
4009930	DC FAN MOTOR (M1, M2)
131316J	FUSE (M3, M4, M5)
131316J	FUSE (M1, M2)
4009489	HEAT EXCHANGER ASSY. (M3, M4, M5)
4009491	PRINTED CIRCUIT ASSY. (CONTROL) (M3, M4, M5)
4009433	PRINTED CIRCUIT ASSY. (CONTROL) (M1, M2)
4000844	PRINTED CIRCUIT ASSY. (INFRARED SENSOR) (M3, M4, M5)
4000843	PRINTED CIRCUIT ASSY. (PHOTO/ DISPLAY) (M3, M4, M5)
1840054	PRINTED CIRCUIT ASSY. (PHOTO/DISPLAY) (M1, M2)
1797578	STEPPING MOTOR (M3, M4, M5)
179743J	STEPPING MOTOR (M1, M2)
1766334	THERMISTOR ASSY. (M3, M4, M5)
6015244	THERMISTOR ASSY. (M1, M2)

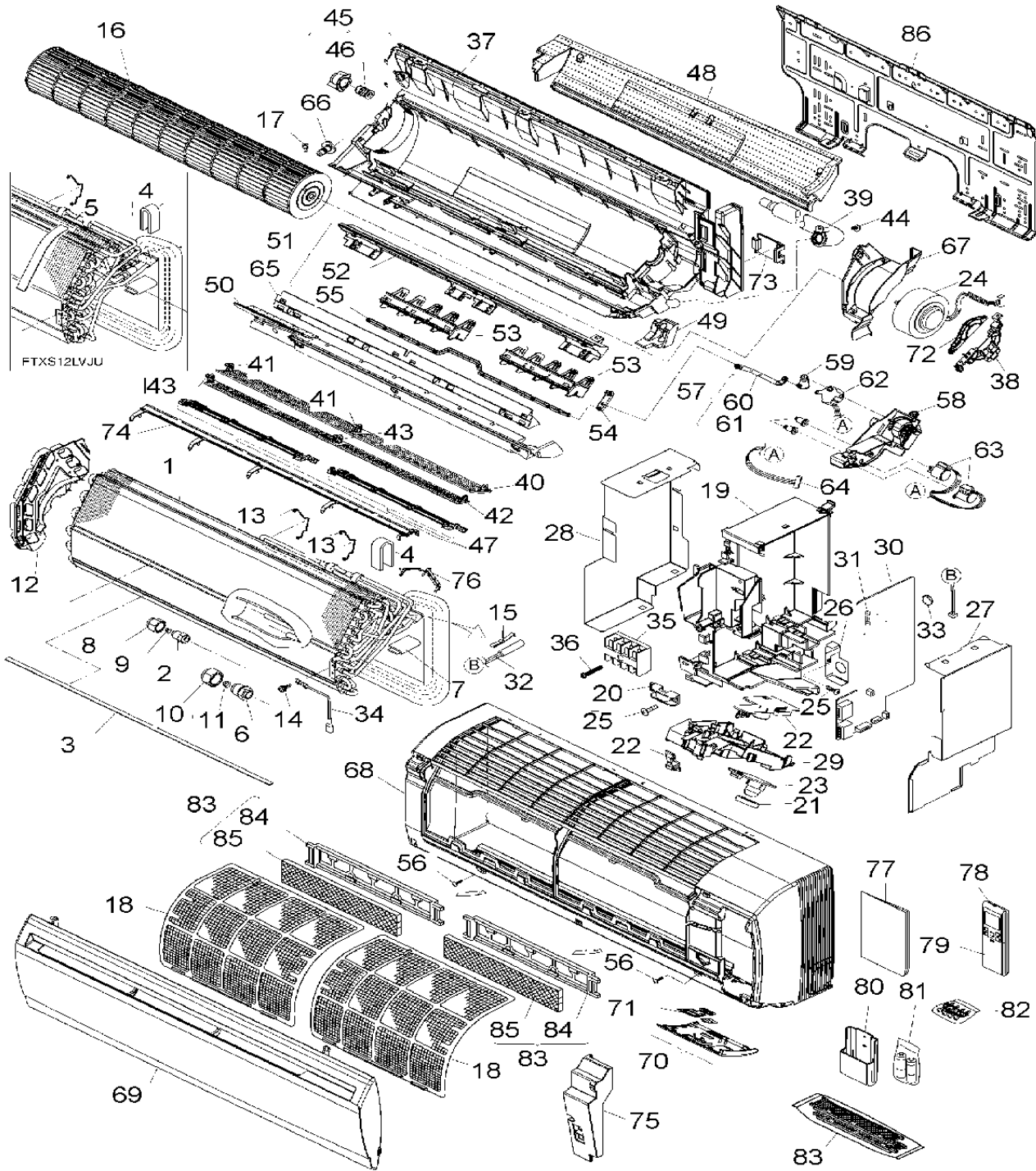
### Expanded Model Nomenclature

M1 - FTXS09LVJUAA
M2 - FTXS12LVJUAA
M3 - FTXS15LVJUAA
M4 - FTXS18LVJUAA
M5 - FTXS24LVJUAA

# FTXS(09/12)LVJU

FTXS09LVJU / FTXS12LVJU

— TOP —



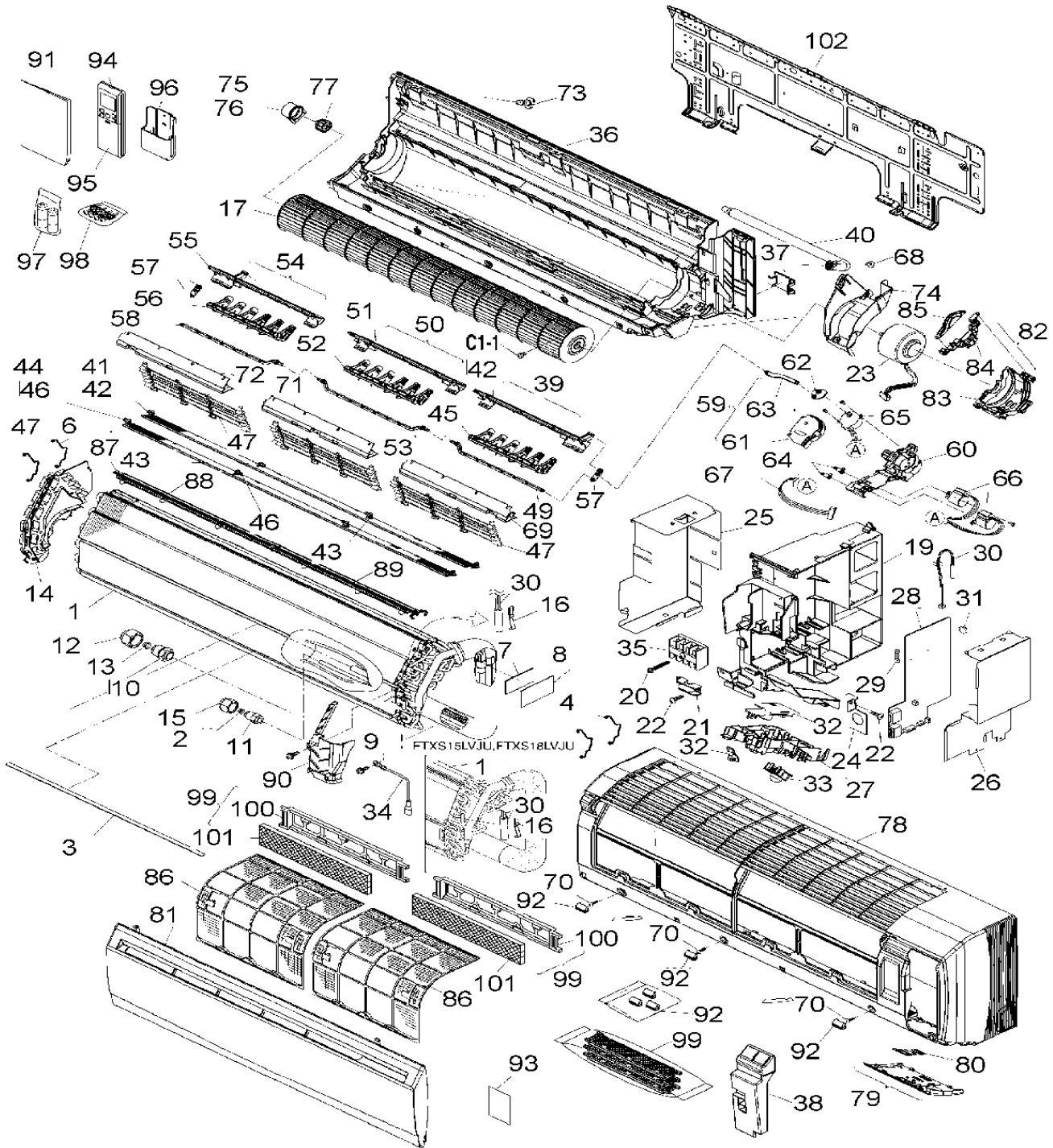
# FTXS(09/12)LVJU

Ref. Part No: No:	Description:	Ref. Part No: No:	Description:
<i>Image 1:</i>		<i>Image 1:</i>	
1	4009431 HEAT EXCHANGER ASSY. (M1, M2)	60	4007615 INTERLOCK ROD (2) (M1, M2)
2	1673393 UNION JOINT/ LIQUID LINE (M1, M2)	61	4007616 ROD (M1, M2)
3	4007594 SEALING PLATE (M1, M2)	62	179743J STEPPING MOTOR (M1, M2)
4	4007595 PUTTY (M1)	63	4007617 STEPPING MOTOR (M1, M2)
5	4007634 PUTTY (M2)	64	4007618 WIRE HARNESS ASSY. (FOR S/M) (M1, M2)
6	096177J UNION JOINT/ GAS LINE (M1, M2)	65	4007639 AIR OUTLET ASSY. (M1, M2)
7	1841684 PUTTY (M1, M2)	66	1866652 CONNECTION BLIND CAP (M1, M2)
8	1723546 FLARE NUT (M1, M2)	67	4007622 SIDE PLATE (RIGHT) (M1, M2)
9	NA BLIND CAP/ FLARE NUT (M1, M2)	68	4007623 FRONT GRILLE ASSY. (M1, M2)
10	119848J FLARE NUT (M1, M2)	69	4007624 FRONT PANEL (M1, M2)
11	NA BLIND CAP/ FLARE NUT (M1, M2)	70	4007625 CONTROL PANEL ASSY. (M1, M2)
12	4007593 SIDE PLATE ASSY. (LEFT) (M1, M2)	71	NA OPERATION SIGN COVER (M1, M2)
13	6015237 WIRE SPRING (M1, M2)	72	4000880 MOTOR MOUNTING PLATE (3) (M1, M2)
14	113783J GROUNDING TIP (W/WASHER) (M1, M2)	73	4007626 PIPING FIXTURE (M1, M2)
15	380120J FITTING SPRING/ THERMISTOR (M1, M2)	74	4007627 SEALING PLATE (M1, M2)
16	4007596 CROSS FLOW FAN ASSY. (M1, M2)	75	4007628 SERVICE LID ASSY. (M1, M2)
17	051605J HEX. SOCKET SCREW (M1, M2)	76	4007629 PARTITION PLATE/ EVAPORATOR (M1, M2)
18	4007597 AIR FILTER (M1, M2)	77	NA OPERATION MANUAL (M1, M2)
19	4007598 SWITCH BOX (M1, M2)	78	4008894 REMOTE CONTROLLER ASSY. (M1, M2)
20	0812847 WIRE CLAMP (M1, M2)	79	1768145 LID/ REMOTE CONTROLLER (M1, M2)
21	1840047 SEALING MATERIAL (INTELLIGENT EYE) (M1, M2)	80	4000889 HOLDER/ REMOTE CONTROLLER (M1, M2)
22	1840054 PRINTED CIRCUIT ASSY. (PHOTO/DISPLAY) (M1, M2)	81	NA BATTERY KIT (M1, M2)
23	1840061 PYROELECTRIC PASSIVE INFRARED SENSOR (M1, M2)	82	NA SCREW KIT (M1, M2)
24	4009930 DC FAN MOTOR (M1, M2)	83	NA AIR FILTER ASSY. (M1, M2)
25	121650J GROUNDING TERMINAL (M1, M2)	84	1597259 DUST COLLECTING ELEMENT FRAME (M1, M2)
26	NA CONDUIT MOUNTING PLATE (M1, M2)	85	1840489 PHOTOCATALYST FILTER ASSY. (M1, M2)
27	4007599 SHIELD PLATE (1) (M1, M2)	86	4007631 MOUNTING PLATE (M1, M2)
28	4007600 SHIELD PLATE (2) (M1, M2)	Expanded Model Nomenclature	
29	4007601 INDICATION LAMP COVER (M1, M2)	M1 - FTXS09LVJUAA M2 - FTXS12LVJUAA M3 - FTXS15LVJUAA M4 - FTXS18LVJUAA M5 - FTXS24LVJUAA	
30	4009433 PRINTED CIRCUIT ASSY. (CONTROL) (M1, M2)		
31	131316J FUSE (M1, M2)		
32	6015244 THERMISTOR ASSY. (M1, M2)		
33	113954J VARISTOR (M1, M2)		
34	1840030 EARTH WIRE (M1, M2)		
35	1907786 TERMINAL BLOCK (M1, M2)		
36	1748886 PAN HEAD TAPPING SCREW (M1, M2)		
37	4007638 BOTTOM FRAME ASSY. (M1, M2)		
38	4007630 MOTOR MOUNTING PLATE (LOWER) (M1, M2)		
39	4000867 DRAIN HOSE ASSY. (M1, M2)		
40	4007620 HORIZONTAL VANE/ DISCH. GRILLE (M1, M2)		
41	1840922 ROD/ HORIZONTAL VANE (M1, M2)		
42	4007621 HORIZONTAL VANE/ DISCH. GRILLE (M1, M2)		
43	1840922 ROD/ HORIZONTAL VANE (M1, M2)		
44	170429J TAPPING SCREW (M1, M2)		
45	4008116 FAN BEARING ASSY. (M1, M2)		
46	156867J VIBRATION ABSORBER/ FAN BEARING (M1, M2)		
47	4007640 FAN GUARD ASSY. (M1, M2)		
48	4007604 THERMAL INSULATION (M1, M2)		
49	4007605 THERMAL INSULATION (REAR RIGHT) (M1, M2)		
50	4007606 THERMAL INSULATION (FRONT) (M1, M2)		
51	4007607 DRAIN PAN ASSY. (STABILIZER) (M1, M2)		
52	4007608 DRAIN PAN ASSY. (M1, M2)		
53	4007609 VERTICAL VANE/ AIR DISCHARGE (M1, M2)		
54	4007610 INTERLOCK ROD (3) (M1, M2)		
55	4007611 INTERLOCK ROD (4) (M1, M2)		
56	121650J GROUNDING TERMINAL (M1, M2)		
57	4007612 COVER (LINK ASSY.) (M1, M2)		
58	4007613 COVER (LINK) (M1, M2)		
59	4007614 INTERLOCK ROD (1) (M1, M2)		

# FTXS(15/18/24)LVJU

## FTXS15LVJU / FTXS18LVJU / FTXS24LVJU

— TOP —



# FTXS(15/18/24)LVJU

Ref. Part No:	Description:	Ref. Part No:	Description:
<i>Image 1:</i>		<i>Image 1:</i>	
1	4009489 HEAT EXCHANGER ASSY. (M3, M4, M5)	54	4009453 FRONT STABILIZER ASSY. (LEFT)/ DRAIN PAN (M3, M4, M5)
2	NA BLIND CAP/ FLARE NUT (M3, M4, M5)	55	4009454 FRONT STABILIZER (LEFT) (M3, M4, M5)
3	4009439 SEALING PLATE (H/E BENDING) (M3, M4, M5)	56	4009447 VERT. BLADE (AUTO)/ DISCH. GRILLE (M3, M4, M5)
4	4009477 WIRE SPRING (TOP) (M3, M4, M5)	57	4009448 INTERLOCK ROD (M3, M4, M5)
5	4009440 WIRE SPRING (FRONT) (M5)	58	4009449 INTERLOCK ROD (M3, M4, M5)
6	4009441 WIRE SPRING (REAR) (M5)	59	4009455 COVER (LINK) ASSY. (M3, M4, M5)
7	135892J PUTTY (M3, M4, M5)	60	4009456 COVER 1 (LINK) (M3, M4, M5)
8	4000832 SEALING MATERIAL (M3, M4, M5)	61	4009457 COVER 2 (LINK) (M3, M4, M5)
9	150679J COIL SPRING (M3, M4, M5)	62	4009458 INTERLOCK ROD (1) (M3, M4, M5)
10	257580J UNION JOINT (M3, M4, M5)	63	4000860 INTERLOCK ROD (2) (M3, M4, M5)
11	020226J UNION JOINT/ LIQUID LINE (M3, M4, M5)	64	4000861 ROD (S/M ROD) (M3, M4, M5)
12	119849J FLARE NUT (M3, M4, M5)	65	1797578 STEPPING MOTOR (M3, M4, M5)
13	NA BLIND CAP/ FLARE NUT (M3, M4, M5)	66	4000862 STEPPING MOTOR ASSY. (M3, M4, M5)
14	4009438 SIDE PANEL (LEFT) ASSY. (M3, M4, M5)	67	4000863 WIRE HARNESS ASSY. (FOR S/M) (M3, M4, M5)
15	1723546 FLARE NUT (M3, M4, M5)	68	170429J TAPPING SCREW (M3, M4, M5)
16	380120J FITTING SPRING/ THERMISTOR (M3, M4, M5)	69	4009461 AIR OUTLET SKIRT (RIGHT) (M3, M4, M5)
17	4009442 CROSS FLOW FAN ASSY. (M3, M4, M5)	70	121650J GROUNDING TERMINAL (M3, M4, M5)
18	051605J HEX. SOCKET SCREW (M3, M4, M5)	71	4009495 AIR OUTLET SKIRT (CENTER) (M3, M4, M5)
19	4000836 SWITCH BOX (M3, M4, M5)	72	4009496 AIR OUTLET SKIRT (LEFT) (M3, M4, M5)
20	1748886 PAN HEAD TAPPING SCREW (M3, M4, M5)	73	1866652 CONNECTION BLIND CAP (M3, M4, M5)
21	0812847 WIRE CLAMP (M3, M4, M5)	74	4009471 SIDE PANEL (RIGHT) ASSY. (M3, M4, M5)
22	121650J GROUNDING TERMINAL (M3, M4, M5)	75	4009929 FAN BEARING ASSY. (M3, M4, M5)
23	4009358 DC FAN MOTOR (M3, M4, M5)	76	4000872 MOUNTING PLATE/ FAN BEARING (M3, M4, M5)
24	NA CONDUIT MOUNTING PLATE (M3, M4, M5)	77	037940J FAN BEARING ASSY. (M3, M4, M5)
25	4000837 SHIELD PLATE (1) (M3, M4, M5)	78	4009498 FRONT GRILLE ASSY. (M3, M4, M5)
26	4000838 SHIELD PLATE (2) (M3, M4, M5)	79	4000874 CONTROL PANEL ASSY. (M3, M4, M5)
27	4000839 INDICATION LAMP COVER (M3, M4, M5)	80	4000875 OPERATION SIGN COVER (M3, M4, M5)
28	4009491 PRINTED CIRCUIT ASSY. (CONTROL) (M3, M4, M5)	81	4009499 FRONT PANEL ASSY. (M3, M4, M5)
29	131316J FUSE (M3, M4, M5)	82	4009468 MOTOR MOUNTING PLATE ASSY. (M3, M4, M5)
30	1766334 THERMISTOR ASSY. (M3, M4, M5)	83	4000878 MOTOR MOUNTING PLATE (1) (M3, M4, M5)
31	113954J VARISTOR (M3, M4, M5)	84	4009469 MOTOR MOUNTING PLATE (2) (M3, M4, M5)
32	4000843 PRINTED CIRCUIT ASSY. (PHOTO/ DISPLAY) (M3, M4, M5)	85	4009470 MOTOR MOUNTING PLATE (3) (M3, M4, M5)
33	4000844 PRINTED CIRCUIT ASSY. (INFRARED SENSOR) (M3, M4, M5)	86	4009476 AIR FILTER (M3, M4, M5)
34	2065793 EARTH WIRE (TERMINAL) (M3, M4, M5)	87	4009472 SEALING PLATE ASSY. (M3, M4, M5)
35	1907786 TERMINAL BLOCK (M3, M4, M5)	88	4009473 SEALING PLATE (RIGHT) (M3, M4, M5)
36	4009494 BOTTOM FRAME ASSY. (M3, M4, M5)	89	4009474 SEALING PLATE (LEFT) (M3, M4, M5)
37	4000885 PIPING FIXTURE (M3, M4, M5)	90	2065919 DRIP PROOF COVER (M3, M4, M5)
38	4000886 SERVICE LID ASSY. (M3, M4, M5)	91	NA OPERATION MANUAL (M3, M4, M5)
39	4009445 FRONT STABILIZER ASSY. (RIGHT)/ DRAIN PAN (M3, M4, M5)	92	4008291 SCREW COVER KIT (M3, M4, M5)
40	4000867 DRAIN HOSE ASSY. (M3, M4, M5)	93	NA CAUTION LABEL (ELECTRIC SHOCK) (M3, M4, M5)
41	4009462 HORIZONTAL VANE (UPPER)/ DISCH. GRILLE (M3, M4, M5)	94	4008894 REMOTE CONTROLLER ASSY. (M3, M4, M5)
42	4009446 FRONT STABILIZER (RIGHT) (M3, M4, M5)	95	1768145 LID/ REMOTE CONTROLLER (M3, M4, M5)
43	4000869 ROD/ HORIZONTAL VANE (M3, M4, M5)	96	4000889 HOLDER/ REMOTE CONTROLLER (M3, M4, M5)
44	4009463 HORIZONTAL VANE (LOWER)/ DISCH. GRILLE (M3, M4, M5)	97	NA BATTERY KIT (M3, M4, M5)
45	4009447 VERT. BLADE (AUTO)/ DISCH. GRILLE (M3, M4, M5)	98	NA SCREW KIT (M3, M4, M5)
46	4000869 ROD/ HORIZONTAL VANE (M3, M4, M5)	99	NA AIR FILTER ASSY. (M3, M4, M5)
47	4009497 FAN GUARD ASSY. (M3, M4, M5)	100	1597259 DUST COLLECTING ELEMENT FRAME (M3, M4, M5)
48	4009448 INTERLOCK ROD (M3, M4, M5)	101	1840489 PHOTOCATALYST FILTER ASSY. (M3, M4, M5)
49	4009449 INTERLOCK ROD (M3, M4, M5)	102	4009478 INSTALLATION PLATE (M3, M4, M5)
50	4009450 FRONT STABILIZER ASSY. (CENTER)/ DRAIN PAN (M3, M4, M5)	<b>Expanded Model Nomenclature</b>	
51	4009451 FRONT STABILIZER (CENTER) (M3, M4, M5)	M1 - FTXS09LVJUAA	
52	4009447 VERT. BLADE (AUTO)/ DISCH. GRILLE (M3, M4, M5)	M2 - FTXS12LVJUAA	
53	4009452 INTERLOCK ROD (CENTER) (M3, M4, M5)	M3 - FTXS15LVJUAA	
		M4 - FTXS18LVJUAA	
		M5 - FTXS24LVJUAA	