
FTXR Indoor Wall Mounted Heat Pump

FTXR09TVJUS
FTXR09TVJUW
FTXR12TVJUS
FTXR12TVJUW
FTXR18TVJUS
FTXR18TVJUW



This manual is to be used by qualified technicians only.

Important Information

Index

Functional Parts List	3
Illustration and Parts	4 - 7

Views shown are for parts illustrations only, not servicing procedures.

Text Codes:

AR - As Required

NA - Not Available

NS - Not Shown

00000000 - See Note

QTY - Quantity Example (QTY 3) (If Quantity not shown, Quantity = 1)

M - Model Example (M1) (If M Code not shown, then part is used on all Models)

Expanded Model Nomenclature:

Example
M1 - Model#1
M2 - Model#2
M3 - Model#3

Daikin Manufacturing Company, L.P. is not responsible for personal injury or property damage resulting from improper service. Review all service information before beginning repairs.

Warranty service must be performed by an authorized technician, using authorized factory parts. If service is required after the warranty expires, Daikin Manufacturing Company, L.P. also recommends contacting an authorized technician and using authorized factory parts.

Daikin Manufacturing Company, L.P. reserves the right to discontinue, or change at any time, specifications or designs without notice or without incurring obligations.

For assistance within the U.S.A. contact:

Homeowner Support
Daikin North America, LLC
19001 Kermier Road
Waller, Texas 77484
855-770-5678-Telephone
713-863-2382-Facsimile

For assistance outside the U.S.A. contact:

International Division
Daikin North America, LLC
19001 Kermier Road
Waller, Texas 77484
713-861-2500-Telephone
713-863-2382-Facsimile

Functional Parts

Part

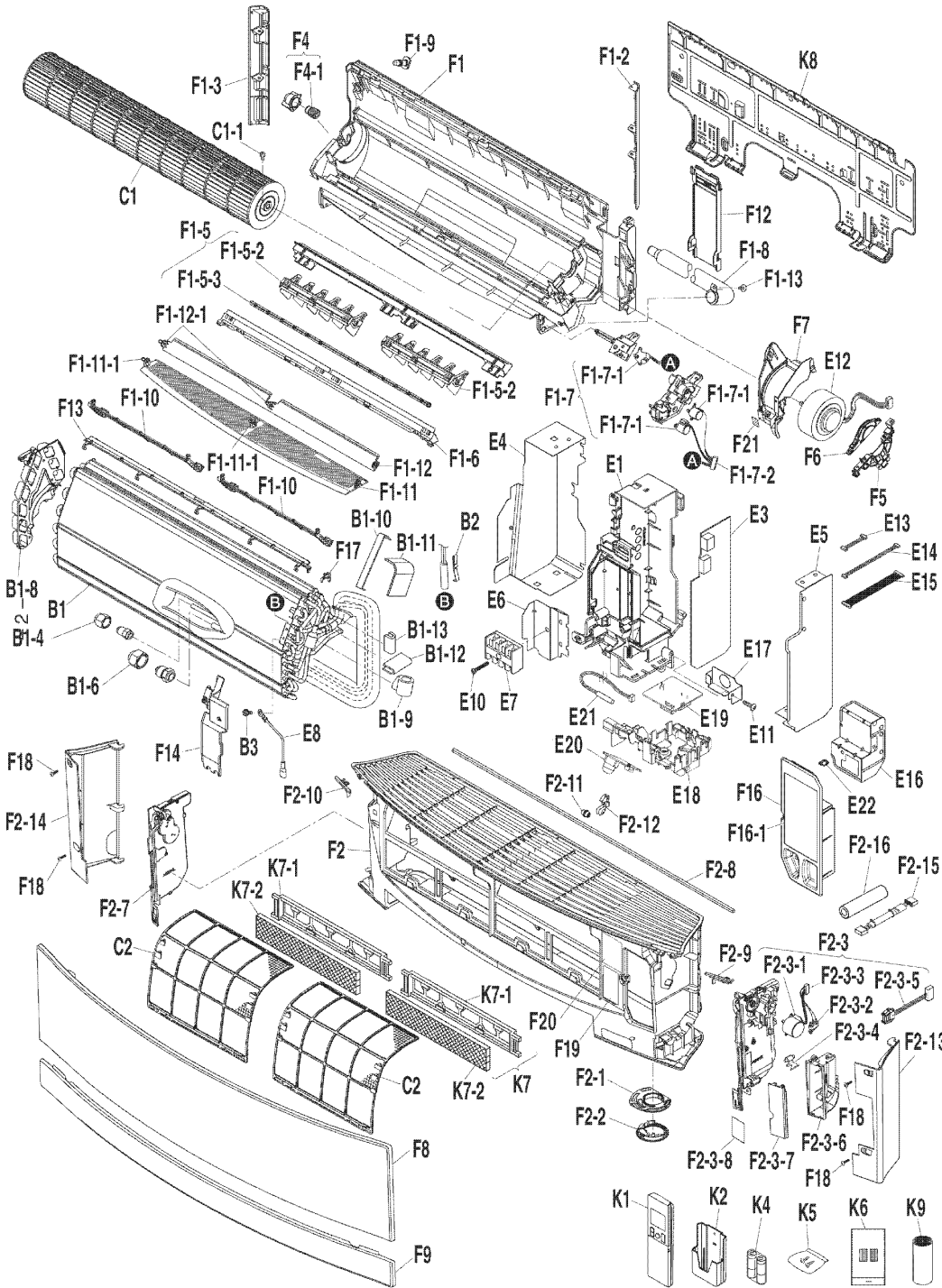
No: Description:

2333597	DC FAN MOTOR
2059293	LIMIT SWITCH
2333542	PRINTED CIRCUIT ASSY. (PHOTO/DISPLAY)
2436807	PRINTED CIRCUIT BOARD ASSY. (M5, M6)
2436799	PRINTED CIRCUIT BOARD ASSY. (M3, M4)
2436782	PRINTED CIRCUIT BOARD ASSY. (M1, M2)
5012389	SENSOR (PYROELECTRIC PASSIVE INFRARED) (M5, M6)
5012389	SENSOR (PYROELECTRIC PASSIVE INFRARED)
1797554	STEPPING MOTOR
1797446	STEPPING MOTOR (QTY 3)

Expanded Model Nomenclature

M7 - FTXR09TVJUS
M8 - FTXR09TVJUW
M9 - FTXR12TVJUS
M10 - FTXR12TVJUW
M11 - FTXR18TVJUS
M12 - FTXR18TVJUW

—TOP—



Picture Key		Picture Key	
Ref #	Picture #	Ref #	Picture #
1	B1	52	F1-13
2	B1-4	53	F2
3	B1-6	54	F2-1
4	B1-8	55	F2-2
5	B1-9	56	F2-3
6	B1-10	57	F2-3-1
7	B1-11	58	F2-3-2
8	B1-12	59	F2-3-3
9	B1-13	60	F2-3-4
10	B2	61	F2-3-5
11	B3	62	F2-3-6
12	C1	63	F2-3-7
13	C1-1	64	F2-3-8
14	C2	65	F2-7
15	E1	66	F2-8
16	E3	67	F2-9
17	E4	68	F2-10
18	E5	69	F2-11
19	E6	70	F2-12
20	E7	71	F2-13
21	E8	72	F2-14
22	E10	73	F2-15
23	E11	74	F2-16
24	E12	75	F4
25	E13	76	F4-1
26	E14	77	F5
27	E15	78	F6
28	E16	79	F7
29	E17	80	F8
30	E18	81	F9
31	E19	82	F12
32	E20	83	F13
33	E21	84	F14
34	E22	85	F16
35	F1	86	F16-1
36	F1-2	87	F17
37	F1-3	88	F18
38	F1-5	89	F19
39	F1-5-2	90	F20
40	F1-5-3	91	F21
41	F1-6	92	K1
42	F1-7	93	K2
43	F1-7-1	94	K4
44	F1-7-2	95	K5
45	F1-8	96	K6
46	F1-9	97	K7
47	F1-10	98	K7-1
48	F1-11	99	K7-2
49	F1-11-1	100	K8
50	F1-12	101	K9
51	F1-12-1		

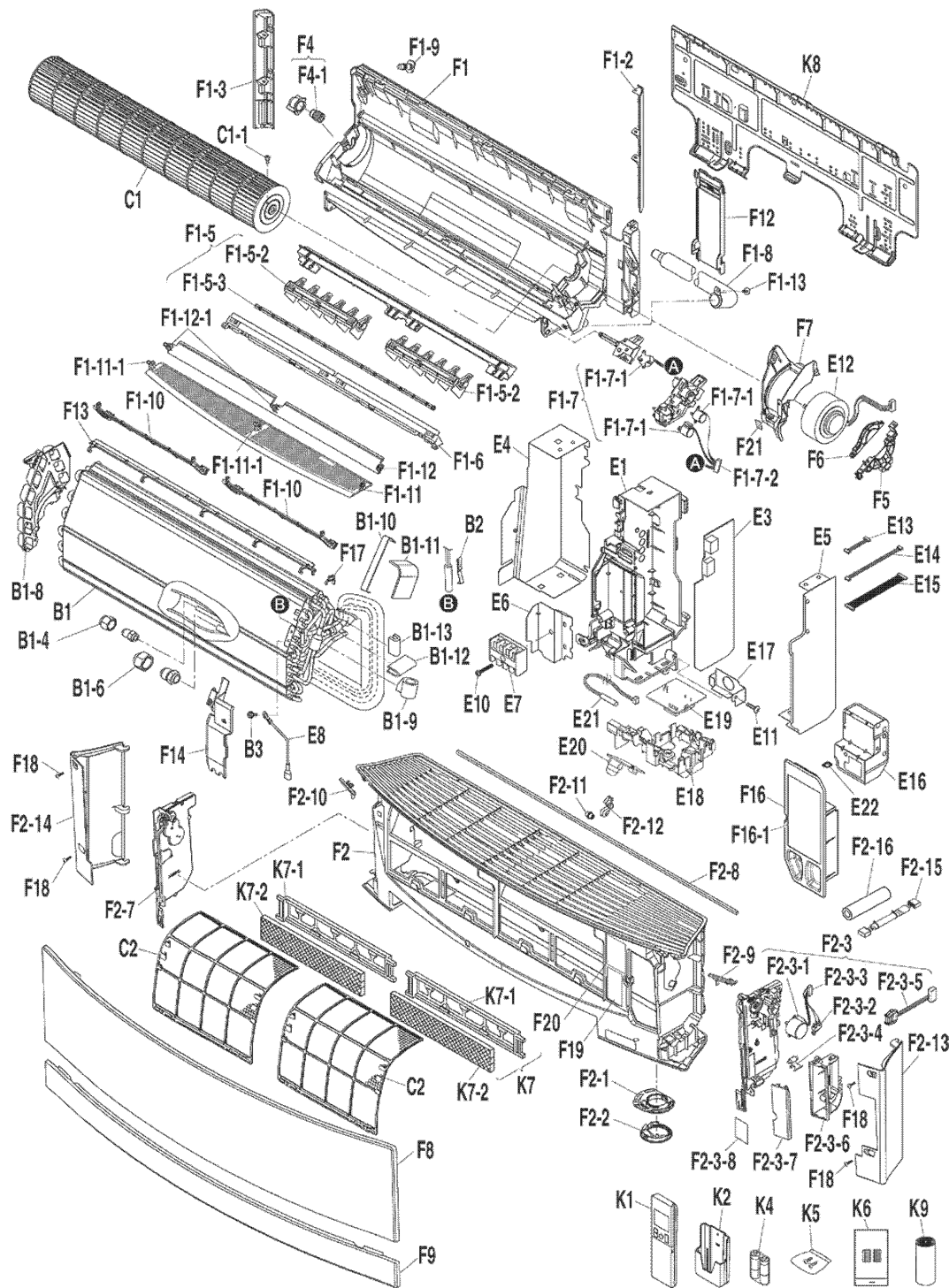
Ref. Part No: No:	Description:	Ref. Part No: No:	Description:
Image 1:		Image 1:	
1	5018098 HEAT EXCHANGER ASSY. (M1, M2, M3, M4)	44	5012402 WIRE HARNESS ASSY. (FOR S/M) (M1, M2, M3, M4)
2	1723546 FLARE NUT (M1, M2, M3, M4)	45	5004091 DRAIN HOSE (M1, M2, M3, M4)
3	119848J FLARE NUT (M1, M2, M3, M4)	46	066228J DRAIN PLUG (M1, M2, M3, M4)
4	NA SIDE PANEL ASSY. (LEFT) (M1, M2, M3, M4)	47	5004092 FAN GUARD ASSY. (M1, M2, M3, M4)
5	NA PUTTY (M1, M2, M3, M4)	48	5014099 DISCH. GRILLE HOR. BLADE (1) ASSY. (M2, M4)
6	NA PUTTY (M1, M2, M3, M4)	48	5014100 DISCH. GRILLE HOR. BLADE (1) ASSY. (M1, M3)
7	NA PUTTY (M1, M2, M3, M4)	49	5008272 SHAFT (M1, M2, M3, M4)
8	NA PUTTY (M1, M2, M3, M4)	50	5012409 DISCH. GRILLE HOR. BLADE (2) ASSY. (M2, M4)
9	NA PUTTY (M1, M2, M3, M4)	50	5012469 DISCH. GRILLE HOR. BLADE (2) ASSY. (M1, M3)
10	380120J FITTING SPRING/ THERMISTOR (M1, M2, M3, M4)	51	5008272 SHAFT (M1, M2, M3, M4)
11	NA PAN HEAD MACHINE SCREW S-TIGHT (M1, M2, M3, M4)	52	NA TAPPING SCREW (M1, M2, M3, M4)
12	5004066 CROSS FLOW FAN ASSY. (M1, M2, M3, M4)	53	5018104 FRONT GRILLE ASSY. (M2, M4)
13	051605J HEX SOCKET SCREW (M1, M2, M3, M4)	53	5018105 FRONT GRILLE ASSY. (M1, M3)
14	5004067 AIR FILTER (M1, M2, M3, M4)	54	5014105 DISPLAY LENS ASSY. (M2, M4)
15	2333535 SWITCH BOX (M1, M2, M3, M4)	54	5014106 DISPLAY LENS ASSY. (M1, M3)
16	2436782 PRINTED CIRCUIT BOARD ASSY. (M1, M2)	55	5012418 BODY/ SWITCH ASSY. (M1, M2, M3, M4)
17	2436799 PRINTED CIRCUIT BOARD ASSY. (M3, M4)	56	5018106 GEAR CLOSING MOTION DEVICE ASSY. (M1, M2, M3, M4)
18	5004077 SHIELD PLATE (1) (M1, M2, M3, M4)	57	1797554 STEPPING MOTOR (M1, M2, M3, M4)
19	5004078 SHIELD PLATE (2) (M1, M2, M3, M4)	58	2059293 LIMIT SWITCH (M1, M2, M3, M4)
20	5004079 SHIELD PLATE (3) (M1, M2, M3, M4)	59	5014072 WIRE HARNESS ASSY. (AUTO PANEL) (M1, M2, M3, M4)
21	1724688 TERMINAL BLOCK (M1, M2, M3, M4)	60	2333713 LEVER (SWITCH) (M1, M2, M3, M4)
22	5004080 EARTH WIRE (M1, M2, M3, M4)	61	5018107 WIRE HARNESS ASSY. (WIFI RELAY) (M1, M2, M3, M4)
23	NA PAN HEAD TAPPING SCREW (M1, M2, M3, M4)	62	5012412 HOLDER (WIRELESS ADAPTER) (M1, M2, M3, M4)
24	NA TRUSS HEAD TAPPING SCREW (M1, M2, M3, M4)	63	5014073 FRONT GRILLE COVER (WIRELESS ADAPTOR) (M1, M2, M3, M4)
25	2333597 DC FAN MOTOR (M1, M2, M3, M4)	64	5018108 CAUTION LABEL (COVER WIRELESS ADAPTOR) (M1, M2, M3, M4)
26	5014064 WIRE HARNESS (M1, M2, M3, M4)	65	5012415 GEAR CLOSING MOTION DEVICE ASSY. (M1, M2, M3, M4)
27	5014065 WIRE HARNESS (M1, M2, M3, M4)	66	5012416 SHAFT (DRIVE SHAFT) (M1, M2, M3, M4)
28	5014066 WIRE HARNESS (M1, M2, M3, M4)	67	5012419 GUIDE R (PANEL) (M2, M4)
29	2333612 SHIELD PLATE (CONNECTOR) (M1, M2, M3, M4)	67	5012474 GUIDE R (PANEL) (M1, M3)
30	5018101 CONDUIT MOUNTING PLATE (M1, M2, M3, M4)	68	5012475 GUIDE L (PANEL) (M1, M3)
31	5012387 INDICATION LAMP COVER (M1, M2, M3, M4)	68	5014120 GUIDE L (PANEL) (M2, M4)
32	2333542 PRINTED CIRCUIT ASSY. (PHOTO/DISPLAY) (M1, M2, M3, M4)	69	5004107 COVER SHAFT (M1, M2, M3, M4)
33	5012389 SENSOR (PYROELECTRIC PASSIVE INFRARED) (M1, M2, M3, M4)	70	5004104 SHAFT COVER (M1, M2, M3, M4)
34	5004075 THERMISTOR ASSY. (M1, M2, M3, M4)	71	5012480 FRONT GRILLE DECORATION PLATE (R) (M1, M3)
35	2162500 WIRE SADDLE (M1, M2, M3, M4)	71	5014074 FRONT GRILLE DECORATION PLATE (R) (M2, M4)
36	5018102 BOTTOM FRAME ASSY. (M2, M4)	72	5012481 FRONT GRILLE DECORATION PLATE (L) (M1, M3)
37	5018103 BOTTOM FRAME ASSY. (M1, M3)	72	5014075 FRONT GRILLE DECORATION PLATE (L) (M2, M4)
38	5012478 BOTTOM FRAME DECORATION PLATE (RIGHT) (M1, M3)	73	5014122 WIRE HARNESS ASSY. (M1, M2, M3, M4)
39	5014069 BOTTOM FRAME DECORATION PLATE (RIGHT) (M2, M4)	74	5014076 COVER (M1, M2, M3, M4)
40	5012479 BOTTOM FRAME DECORATION PLATE (LEFT) (M1, M3)	75	NA FAN BEARING ASSY. (M1, M2, M3, M4)
41	5012479 BOTTOM FRAME DECORATION PLATE (LEFT) (M1, M3)	76	156867J VIBRATION ABSORBER/ FAN BEARING (M1, M2, M3, M4)
42	NA BOTTOM FRAME DECORATION PLATE (LEFT) (M2, M4)	77	1840256 MOUNTING PLATE/ MOTOR (M1, M2, M3, M4)
43	NA DRAIN PAN STABILIZER ASSY. (M1, M2, M3, M4)	78	1840410 MOUNTING PLATE (3)/ MOTOR (M1, M2, M3, M4)
39	5012392 DISCH. GRILLE VERT. BLADE (M1, M2, M3, M4)	79	5004110 SIDE PLATE (RIGHT) (M1, M2, M3, M4)
40	5012393 INTERLOCK ROD (M1, M2, M3, M4)	80	5014125 PANEL (SUCTION) ASSY. (M2, M4)
41	5012394 AIR OUTLET ASSY. (M1, M2, M3, M4)	80	5014126 PANEL (SUCTION) ASSY. (M1, M3)
42	5012395 COVER (LINK) ASSY. (M1, M2, M3, M4)	81	5012424 PANEL (DISCHARGE) ASSY. (M2, M4)
43	1797446 STEPPING MOTOR (M1, M2, M3, M4)		

Ref. Part No:	Part No:	Description:	Ref. Part No:	Part No:	Description:
Image 1:					
81	5014128	PANEL (DISCHARGE) ASSY. (M1, M3)			
82	5004115	PIPING FIXTURE ASSY. (M1, M2, M3, M4)			
83	5004116	SEALING PLATE (HEAT EXCH. TOP) (M1, M2, M3, M4)			
84	5004117	DRIP PROOF COVER (M1, M2, M3, M4)			
85	5018109	SERVICE COVER ASSY. (M2, M4)			
85	5018110	SERVICE COVER ASSY. (M1, M3)			
86	5018111	CAUTION LABEL (SERVICE COVER) (M1, M2, M3, M4)			
87	5004120	AUXILIARY PLATE (PROTECTIVE GEAR) (M1, M2, M3, M4)			
88	NA	TRUSS HEAD TAPPING SCREW (M1, M2, M3, M4)			
89	5018112	CAUTION LABEL (ELECTRIC SHOCK) (M1, M2, M3, M4)			
90	5018113	CAUTION LABEL (SERVICE COVER-YELLOW) (M1, M2, M3, M4)			
91	NA	SEALING MATERIAL (EPTSEALE) (M1, M2, M3, M4)			
92	5018115	REMOTE CONTROLLER ASSY. (WITH LABEL) (M1, M2, M3, M4)			
93	5004122	HOLDER/ REMOTE CONTROLLER (M1, M2, M3, M4)			
94	NA	BATTERY KIT (M1, M2, M3, M4)			
95	NA	SCREW KIT (M1, M2, M3, M4)			
96	5014527	SCREW COVER (M2, M4)			
96	5014528	SCREW COVER (M1, M3)			
97	NA	AIR FILTER ASSY. (M1, M2, M3, M4)			
98	1597259	DUST COLLECTING ELEMENT FRAME (M1, M2, M3, M4)			
99	1840489	PHOTOCATALYTIC AIR-PURIFYING FILTER (M1, M2, M3, M4)			
100	5012436	INSTALLATION PLATE (M1, M2, M3, M4)			
101	081957J	HEAT INSULATION TAPE (M1, M2, M3, M4)			

Expanded Model Nomenclature

- | |
|-------------------|
| M7 - FTXR09TVJUS |
| M8 - FTXR09TVJUW |
| M9 - FTXR12TVJUS |
| M10 - FTXR12TVJUW |
| M11 - FTXR18TVJUS |
| M12 - FTXR18TVJUW |

—TOP—



Picture Key		Picture Key	
Ref #	Picture #	Ref #	Picture #
1	B1	52	F1-13
2	B1-4	53	F2
3	B1-6	54	F2-1
4	B1-8	55	F2-2
5	B1-9	56	F2-3
6	B1-10	57	F2-3-1
7	B1-11	58	F2-3-2
8	B1-12	59	F2-3-3
9	B1-13	60	F2-3-4
10	B2	61	F2-3-5
11	B3	62	F2-3-6
12	C1	63	F2-3-7
13	C1-1	64	F2-3-8
14	C2	65	F2-7
15	E1	66	F2-8
16	E3	67	F2-9
17	E4	68	F2-10
18	E5	69	F2-11
19	E6	70	F2-12
20	E7	71	F2-13
21	E8	72	F2-14
22	E10	73	F2-15
23	E11	74	F2-16
24	E12	75	F4
25	E13	76	F4-1
26	E14	77	F5
27	E15	78	F6
28	E16	79	F7
29	E17	80	F8
30	E18	81	F9
31	E19	82	F12
32	E20	83	F13
33	E21	84	F14
34	E22	85	F16
35	F1	86	F16-1
36	F1-2	87	F17
37	F1-3	88	F18
38	F1-5	89	F19
39	F1-5-2	90	F20
40	F1-5-3	91	F21
41	F1-6	92	K1
42	F1-7	93	K2
43	F1-7-1	94	K4
44	F1-7-2	95	K5
45	F1-8	96	K6
46	F1-9	97	K7
47	F1-10	98	K7-1
48	F1-11	99	K7-2
49	F1-11-1	100	K8
50	F1-12	101	K9
51	F1-12-1		

Ref. Part No:	Part No:	Description:	Ref. Part No:	Part No:	Description:
<i>Image 1:</i>			<i>Image 1:</i>		
1	5014078	HEAT EXCHANGER ASSY. (M5, M6)	49	5008272	SHAFT (M5, M6)
2	1723546	FLARE NUT (M5, M6)	50	5012409	DISCH. GRILLE HOR. BLADE (2) ASSY. (M6)
3	119849J	FLARE NUT (M5, M6)	50	5012469	DISCH. GRILLE HOR. BLADE (2) ASSY. (M5)
4	NA	SIDE PANEL ASSY. (LEFT) (M5, M6)	51	5008272	SHAFT (M5, M6)
5	NA	PUTTY (M5, M6)	52	NA	TAPPING SCREW (M5, M6)
6	NA	PUTTY (M5, M6)	53	5018104	FRONT GRILLE ASSY. (M6)
7	NA	PUTTY (M5, M6)	53	5018105	FRONT GRILLE ASSY. (M5)
8	NA	PUTTY (M5, M6)	54	5014105	DISPLAY LENS ASSY. (M6)
9	NA	PUTTY (M5, M6)	54	5014106	DISPLAY LENS ASSY. (M5)
10	380120J	FITTING SPRING/ THERMISTOR (M5, M6)	55	5012418	BODY/ SWITCH ASSY. (M5, M6)
11	NA	PAN HEAD MACHINE SCREW S-TIGHT (M5, M6)	56	5018106	GEAR CLOSING MOTION DEVICE ASSY. (M5, M6)
12	5004066	CROSS FLOW FAN ASSY. (M5, M6)	57	1797554	STEPPING MOTOR (M5, M6)
13	051605J	HEX SOCKET SCREW (M5, M6)	58	2059293	LIMIT SWITCH (M5, M6)
14	5004067	AIR FILTER (M5, M6)	59	5014072	WIRE HARNESS ASSY. (AUTO PANEL) (M5, M6)
15	2333535	SWITCH BOX (M5, M6)	60	2333713	LEVER (SWITCH) (M5, M6)
16	2436807	PRINTED CIRCUIT BOARD ASSY. (M5, M6)	61	5018107	WIRE HARNESS ASSY. (WIFI RELAY) (M5, M6)
17	5004077	SHIELD PLATE (1) (M5, M6)	62	5012412	HOLDER (WIRELESS ADAPTER) (M5, M6)
18	5004078	SHIELD PLATE (2) (M5, M6)	63	5014073	FRONT GRILLE COVER (WIRELESS ADAPTOR) (M5, M6)
19	5004079	SHIELD PLATE (3) (M5, M6)			
20	1724688	TERMINAL BLOCK (M5, M6)	64	5018108	CAUTION LABEL (COVER WIRELESS ADAPTOR) (M5, M6)
21	5004080	EARTH WIRE (M5, M6)			
22	NA	PAN HEAD TAPPING SCREW (M5, M6)	65	5012415	GEAR CLOSING MOTION DEVICE ASSY. (M5, M6)
23	NA	TRUSS HEAD TAPPING SCREW (M5, M6)	66	5012416	SHAFT (DRIVE SHAFT) (M5, M6)
24	2333597	DC FAN MOTOR (M5, M6)	67	5012419	GUIDE R (PANEL) (M6)
25	5014064	WIRE HARNESS (M5, M6)	67	5012474	GUIDE R (PANEL) (M5)
26	5014065	WIRE HARNESS (M5, M6)	68	5012475	GUIDE L (PANEL) (M5)
27	5014066	WIRE HARNESS (M5, M6)	68	5014120	GUIDE L (PANEL) (M6)
28	2333612	SHIELD PLATE (CONNECTOR) (M5, M6)	69	5004107	COVER SHAFT (M5, M6)
29	5018101	CONDUIT MOUNTING PLATE (M5, M6)	70	5004104	SHAFT COVER (M5, M6)
30	5012387	INDICATION LAMP COVER (M5, M6)	71	5012480	FRONT GRILLE DECORATION PLATE (R) (M5)
31	2333542	PRINTED CIRCUIT ASSY. (PHOTO/DISPLAY) (M5, M6)	71	5014074	FRONT GRILLE DECORATION PLATE (R) (M6)
			72	5012481	FRONT GRILLE DECORATION PLATE (L) (M5)
32	5012389	SENSOR (PYROELECTRIC PASSIVE INFRARED) (M5, M6)	72	5014075	FRONT GRILLE DECORATION PLATE (L) (M6)
			73	5014122	WIRE HARNESS ASSY. (M5, M6)
33	5004075	THERMISTOR ASSY. (M5, M6)	74	5014076	COVER (M5, M6)
34	2162500	WIRE SADDLE (M5, M6)	75	NA	FAN BEARING ASSY. (M5, M6)
35	5018102	BOTTOM FRAME ASSY. (M6)	76	156867J	VIBRATION ABSORBER/ FAN BEARING (M5, M6)
35	5018103	BOTTOM FRAME ASSY. (M5)	77	1840256	MOUNTING PLATE/ MOTOR (M5, M6)
36	5012478	BOTTOM FRAME DECORATION PLATE (RIGHT) (M5)	78	1840410	MOUNTING PLATE (3)/ MOTOR (M5, M6)
			79	5004110	SIDE PLATE (RIGHT) (M5, M6)
36	5014069	BOTTOM FRAME DECORATION PLATE (RIGHT) (M6)	80	5014125	PANEL (SUCTION) ASSY. (M6)
			80	5014126	PANEL (SUCTION) ASSY. (M5)
37	5012479	BOTTOM FRAME DECORATION PLATE (LEFT) (M5)	81	5012424	PANEL (DISCHARGE) ASSY. (M6)
37	5014070	BOTTOM FRAME DECORATION PLATE (LEFT) (M6)	81	5014128	PANEL (DISCHARGE) ASSY. (M5)
38	NA	DRAIN PAN STABILIZER ASSY. (M5, M6)	82	5004115	PIPING FIXTURE ASSY. (M5, M6)
39	5012392	DISCH. GRILLE VERT. BLADE (M5, M6)	83	5004116	SEALING PLATE (HEAT EXCH. TOP) (M5, M6)
40	5012393	INTERLOCK ROD (M5, M6)	84	5004117	DRIP PROOF COVER (M5, M6)
41	5012394	AIR OUTLET ASSY. (M5, M6)	85	5018109	SERVICE COVER ASSY. (M6)
42	5012395	COVER (LINK) ASSY. (M5, M6)	85	5018110	SERVICE COVER ASSY. (M5)
43	1797446	STEPPING MOTOR (M5, M6)	86	5018111	CAUTION LABEL (SERVICE COVER) (M5, M6)
44	5012402	WIRE HARNESS ASSY. (FOR S/M) (M5, M6)	87	5004120	AUXILIARY PLATE (PROTECTIVE GEAR) (M5, M6)
45	5004091	DRAIN HOSE (M5, M6)	88	NA	TRUSS HEAD TAPPING SCREW (M5, M6)
46	066228J	DRAIN PLUG (M5, M6)	89	5018112	CAUTION LABEL (ELECTRIC SHOCK) (M5, M6)
47	5004092	FAN GUARD ASSY. (M5, M6)	90	5018113	CAUTION LABEL (SERVICE COVER-YELLOW) (M5, M6)
48	5014099	DISCH. GRILLE HOR. BLADE (1) ASSY. (M6)			
48	5014100	DISCH. GRILLE HOR. BLADE (1) ASSY. (M5)	91	NA	SEALING MATERIAL (EPTSEALE) (M5, M6)

Ref. Part No:	Part No:	Description:	Ref. Part No:	Part No:	Description:
---------------	----------	--------------	---------------	----------	--------------

Image 1:

92	5018115	REMOTE CONTROLLER ASSY. (WITH LABEL) (M5, M6)
93	5004122	HOLDER/ REMOTE CONTROLLER (M5, M6)
94	NA	BATTERY KIT (M5, M6)
95	NA	SCREW KIT (M5, M6)
96	5014527	SCREW COVER (M6)
96	5014528	SCREW COVER (M5)
97	NA	AIR FILTER ASSY. (M5, M6)
98	1597259	DUST COLLECTING ELEMENT FRAME (M5, M6)
99	1840489	PHOTOCATALYTIC AIR-PURIFYING FILTER (M5, M6)
100	5012436	INSTALLATION PLATE (M5, M6)
101	081957J	HEAT INSULATION TAPE (M5, M6)

Expanded Model Nomenclature

M7 - FTXR09TVJUS
M8 - FTXR09TVJUW
M9 - FTXR12TVJUS
M10 - FTXR12TVJUW
M11 - FTXR18TVJUS
M12 - FTXR18TVJUW