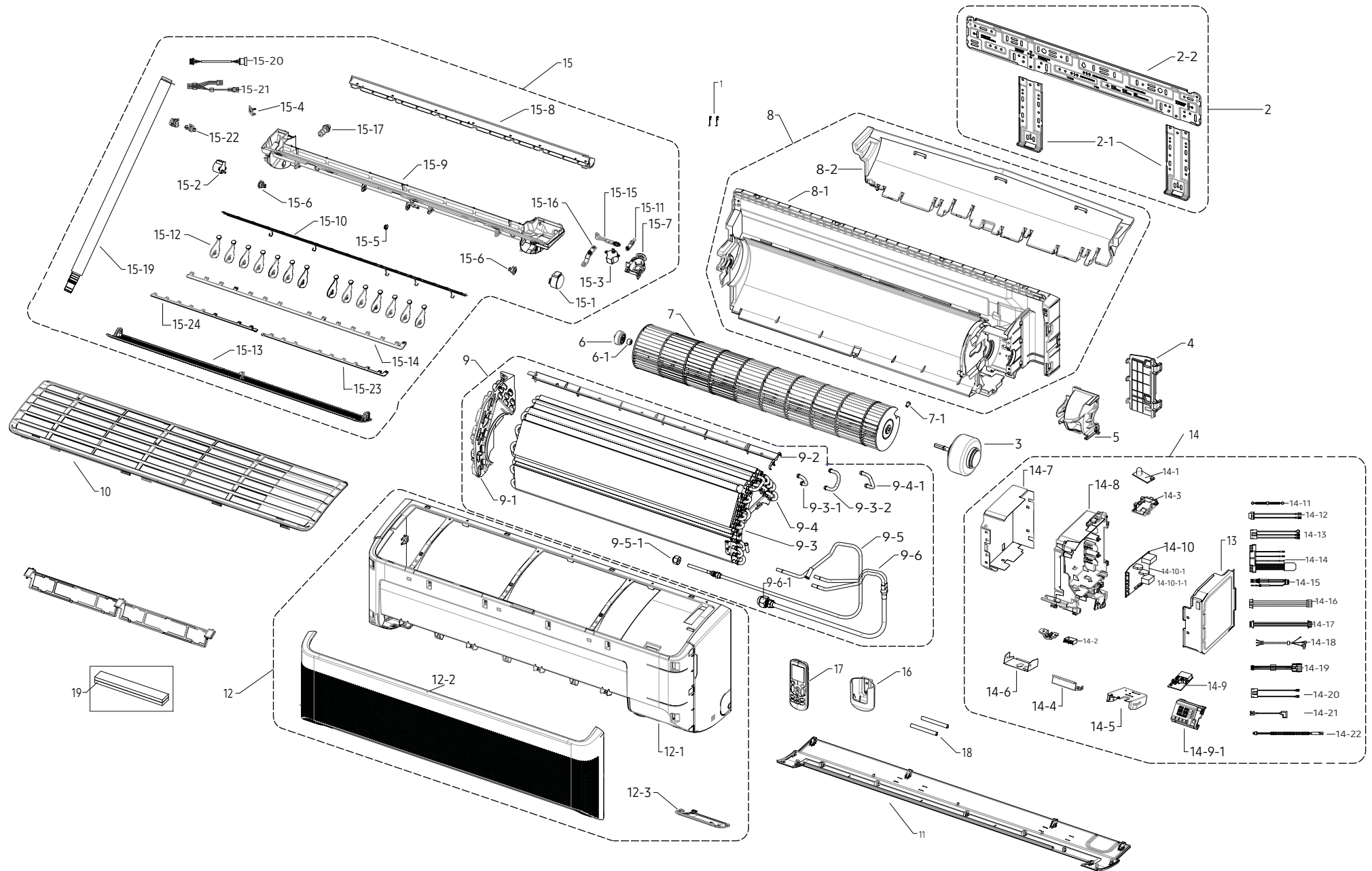


# AR24TSFABWKNVCV Indoor Exploded Views and Parts List



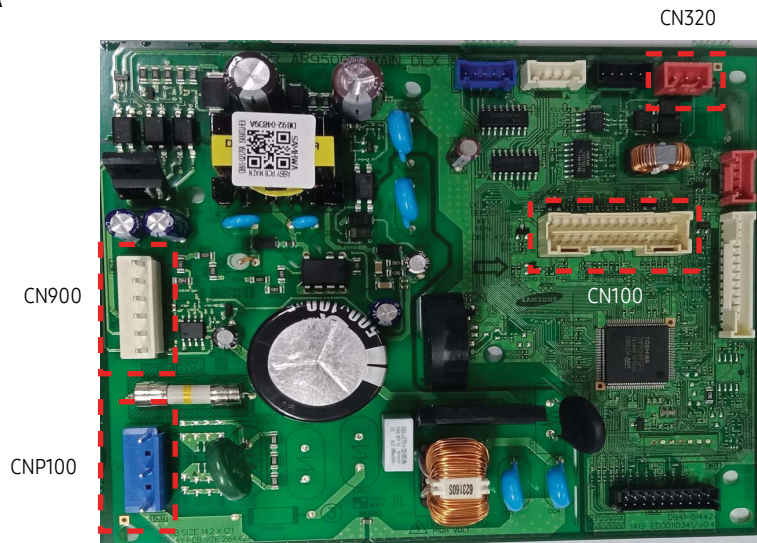
# WiringDiagram

## 14-9 DISPLAY PBA



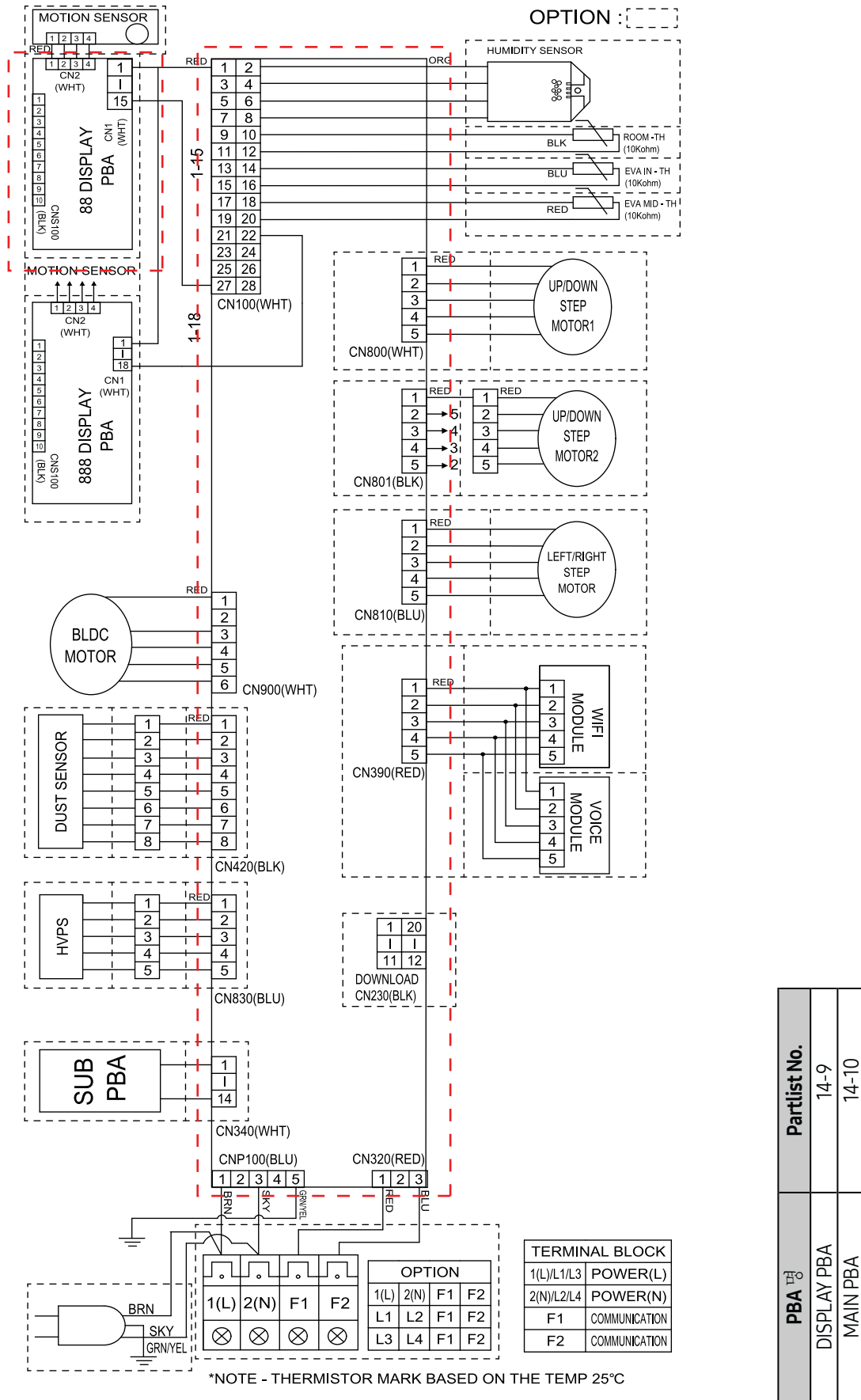
Material Code	Connecting Point 1	
	PCB	Connector No
DB32-00272A	DISPLAY	CN01

## 14-10 MAIN PBA



Material Code	No.	Connecting Point 1	
		PCB	Connector No
DB93-17178A	14-14	MAIN	CN900
DB93-17169A	14-13	MAIN	CNP100
DB93-17055B	14-12	MAIN	CN320
DB32-00272A	14-1	MAIN	CN100

# Circuit Diagram



PBA 명	Partlist No.
DISPLAY PBA	14-9
MAIN PBA	14-10

■ Parts List

Exploded Views and Parts List

AR24TSFABWKNCV					
No.	Code No.	Description	Spec.	Q'ty	SA/SNA
1	DB67-60030A	SPRING-SENSOR	WW2-PJT,STS301,0.4,T0.4,W2.7	2	SA
2	DB90-11454A	ASSY HANGER	AR9500T,QMD RAC 3	1	SA
3	DB31-00637A	MOTOR BLDC FAN	RD-310-25-8B,1500,310V,1,27W	1	SA
4	DB90-11563A	ASSY HOLDER-PIPE	QMD RAC 3,HOLDER PIPE + FOAM PU	1	SA
6	DB94-00455B	ASSY-RUBBER BEARING	AR18MC5UDMCNNA,ASSY	1	SC
6-1	DB94-40007B	ASSY BEARING	G1-PJT,SSEC	1	SC
7	DB94-03085A	ASSY FAN CROSS	HAWAII PJT,P1106.5xL830.5	1	SA
8	DB94-07970B	ASSY BACK BODY	AR9500T,QMD RAC 3, CV	1	SA
9	DB96-24840A	ASSY EVAP-TOTAL	S3-7,L825.5, 4BY4, EU	1	SA
9-5-1	DB60-30010A	FASTENER-NUT FLARE	BRASS	1	SA
9-5-1	DB60-30010D	FASTENER-NUT FLARE	BRASS	1	SA
12	DB92-04824B	ASSY PANEL FRONT	GEO,DIT+Bixby,QMD RAC3, WIND FREE	1	SA
12-1	DB64-03461A	PANEL FRONT	AR9500T, QMD RAC3, WIND-FREE,HIPS,XQ-83180,DA WHITE	1	SA
12-2	DB64-03472A	GRILLE INLET	AR9500T, QMD RAC3, WIND-FREE,,HIPS,T3,DA WHITE,XQ-83180	1	SA
12-3	DB93-17180B	ASSY DISPLAY	AR9500T,No hole, DIT+Bixby	1	SA
14-1	DB32-00272A	SENSOR HUMIDITY	5V,10-90%RH,AC,DLX,5%,600mm,28P	1	SA
14-2	DB37-00033B	TERMINAL BLOCK	4P,MELAMINE,300V,25A,47X36.4X22mm,D4,NO,L1, L2, F1, F2,4P,TAB-SCREW,MELAMINE	1	SA
14-8	DB61-07432A	CASE CONTROL-IN	AR9500T,ABS,L260,BLACK	1	SA
14-9	DB92-04833B	ASSY PCB DISPLAY	DISPLAY_DLX,QMD RAC AR9500T,84.5x50mm,-,-,-,WIFI,N,Standard	1	SA
14-9-1	DB61-07412A	CASE-LED	AR9500T, QMD RAC,HIPS,T1.8,L69,BLACK,8.8	1	SA
14-10	DB92-04839A	ASSY PCB MAIN	MAIN,QMD RAC AR9500T,142x121mm,220V-240V,5V,12V,17V,10W,PF1-RAC,485 INV,DLX,Y,SMPS,Standard	1	SA
14-11	DB93-14245D	ASSY CONNECTOR WIRE-EARTH	1,1015,16,YEL/GRN,ST710095-3,ST710095-3,-,380,-,-,-,-,EVA-PLATE,QMD RAC AR9500T,-	1	SA
14-12	DB93-17055B	ASSY CONNECTOR WIRE-COMM	2,1007,22,RED,SMH250-03L/RED,179973-1,-,270,PVC TUBE,200,-,-,-,PBA-TB,QMD RAC AR9500T,-	1	SA
14-13	DB93-17169A	ASSY CONNECTOR WIRE-POWER	3,1015,18,BRN,YH396-05VR/BLU,175022-1,ST710095-3,150,-,-,-,-,PBA-TB,QMD RAC AR9500T,-	1	SA
14-14	DB93-17178A	ASSY CONNECTOR WIRE-DC SIGNAL	14,2095,26,RED,SMH200-H14H3/WHT,SMH200-H14H3/WHT,-,600,-,-,-,-,PBA-PBA,QMD RAC AR9500T,-	1	SA
15	DB94-07997A	ASSY TRAY DRAIN	DA WHITE,QMD RAC 3,WIND FREE	1	SA
15-1	DB31-00370B	MOTOR STEP	35BYJ46-675,DC12V	1	SA
15-2	DB31-00371A	MOTOR STEP	1step 5.625°/64,DC12V,650gf.cm	1	SC
15-3	DB31-00695A	MOTOR STEP 2P	STEP MOTOR,DC12V,650gf.cm,E class,1W	1	SA
15-4	DB61-06989A	HOLDER WIRE	F11-RAC,HIPS,W16.5,L17,BLACK,HI650,MOTOR	1	SA
15-5	DB61-07418A	HINGE BLADE-A	AR9500,POM,T0.7,W10.1,F20-03	2	SA
15-6	DB61-07419A	HINGE BLADE-B	AR9500,POM,T0.7,W16.1,F20-03	2	SA
15-10	DB63-04249A	GUARD-SCREEN	AR9500T,MSWR,T1,BLACK,QMD3,L827.4	1	SA
15-11	DB66-01727A	LINK BLADE-C	A3050, F-RAC-04,POM,NATURAL	1	SA
15-14	DB66-02034A	LINK BLADE-A	AR9500,POM,L393.3,T2.2,BLACK,QMD RAC3	1	SA
15-12	DB66-02038A	BLADE V	AR9500,PP,T1.6,QMD RAC_NO WIND(AUTO)	17	SA
15-13	DB66-02042A	BLADE H	AR9500,ABS,T3.3,QMD RAC3_No WIND	1	SA
15-14	DB66-02047A	LINK BLADE-A	AR9500,POM,L416.4,T2.2,BLACK,QMD RAC3	1	SA
15-15	DB66-02048A	LINK BLADE-B	AR9500,POM,L63.9,T2.2,BLACK,QMD RAC3	1	SA
15-16	DB66-02049A	LINK BLADE-D	AR9500,POM,L66.8,T2.2,BLACK,QMD RAC	1	SA
15-17	DB73-00180A	RUBBER-CAP DRAIN	SS-PJT,EPDM,PM GRAY	1	SA
15-18	DB93-17189C	ASSY CONNECTOR WIRE	5,2095,26,RED,SMH200-H05H3/BLK,25045HP-05A/WHT,-,1200,-,-,-,-,PBA-STEP MOTOR,QMD RAC AR9500T,-	1	SA
15-19	DB94-02195B	ASSY DRAIN-HOSE	ALL,HOSE DRAIN L550mm	1	SA
16	DB61-06087A	HOLDER-REMOCON	DELUXE,HIPS,T2,DA WHITE,S834S1	1	SA
17	DB96-24901B	ASSY WIRELESS REMOCON	ARH-5203,20. QMD RAC WINDFREE NORDIC,RS-3,ENGLISH,40.0*45.0,°C,RAC,Heat Pump,SAMSUNG	1	SA
15-21	DB93-17171A	ASSY CONNECTOR WIRE-DC SIGNAL	2,2095,26,RED,SMH250-14L/WHT,25045HP-02A/WHT,-,200,-,-,-,-,PBA-DRAIN PUMP,QMD RAC AR9500T,-	1	SA