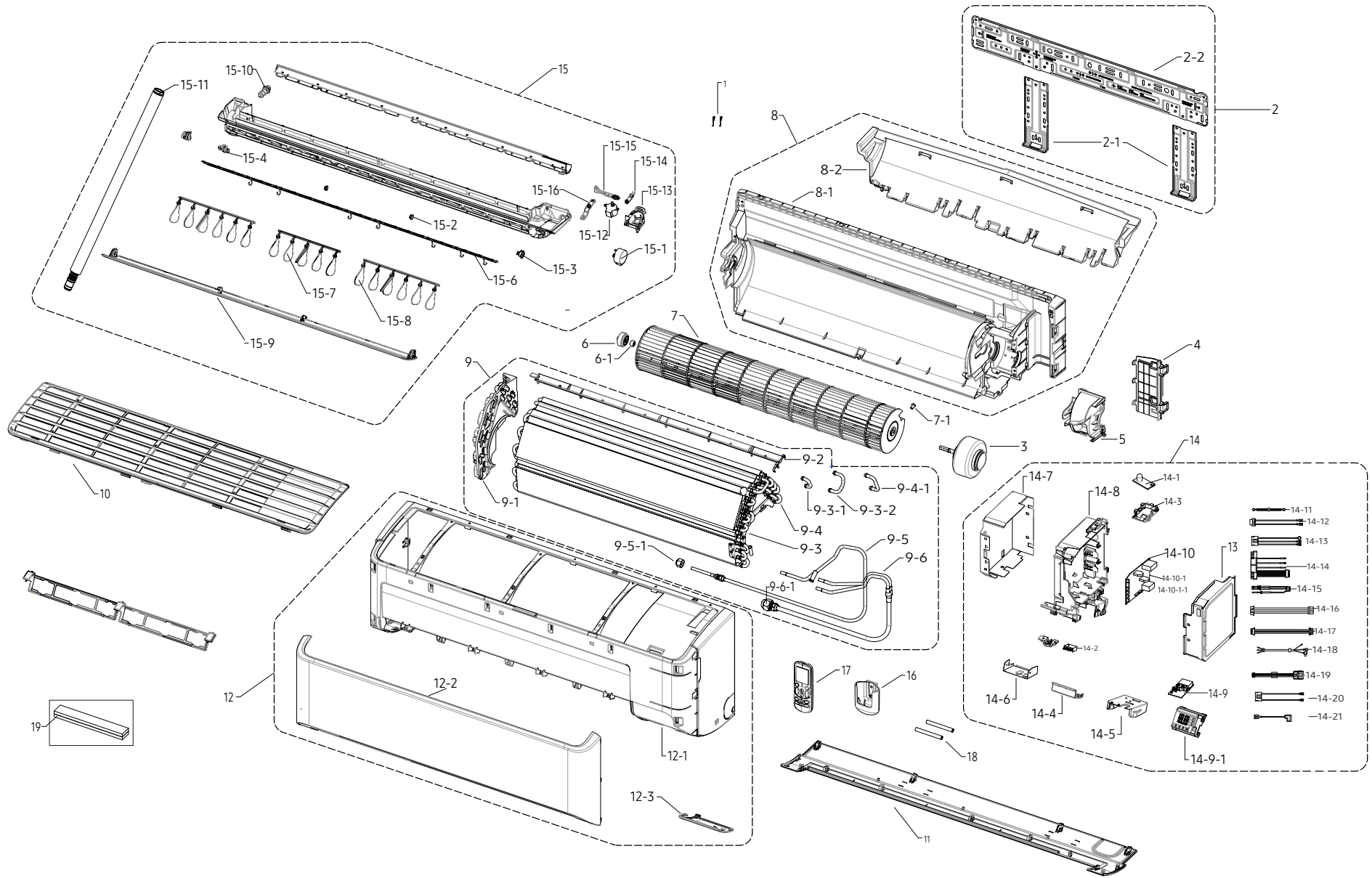


AR07TSFYBWKNCV\$ndoor Exploded Views and Parts List



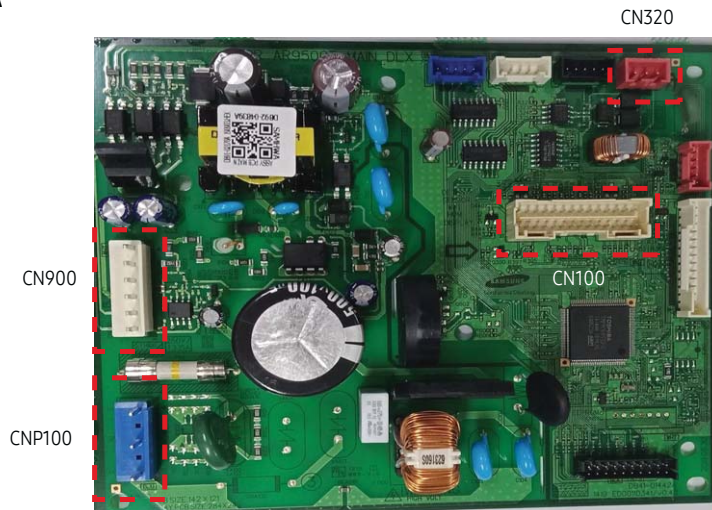
WiringDiagram

14-9 DISPLAY PBA



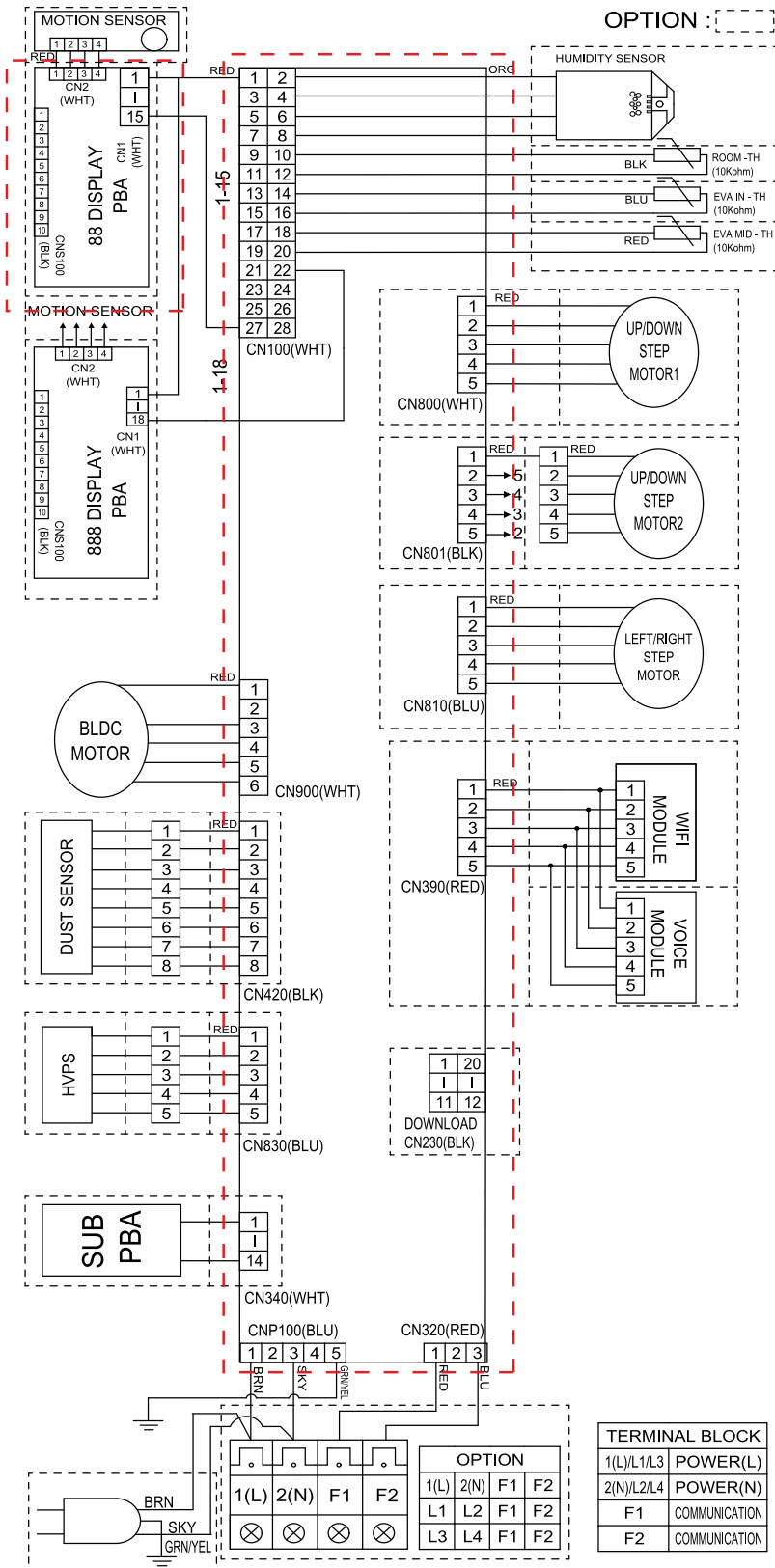
Material Code	Connecting Point 1	
	PCB	Connector No
DB32-00272A	DISPLAY	CN01

14-10 MAIN PBA



Material Code	No.	Connecting Point 1	
		PCB	Connector No
DB93-17178A	14-14	MAIN	CN900
DB93-17169A	14-13	MAIN	CNP100
DB93-17055B	14-12	MAIN	CN320
DB32-00272A	14-1	MAIN	CN100

Circuit Diagram



*NOTE - THERMISTOR MARK BASED ON THE TEMP 25°C

PBA 명	Partist No.
	14-9
	14-10

TERMINAL BLOCK			
1(L)/L1/L3	POWER(L)		
2(N)/L2/L4	POWER(N)		
F1	COMMUNICATION		
F2	COMMUNICATION		

AR07TSFYBWKNCV					
No.	Code No.	Description	Spec.	Q'ty	SA/SNA
1	DB67-60030A	SPRING-SENSOR	WW2-PJT,STS301,0.4,T0.4,W2.7	2	SA
2	DB90-11453A	ASSY HANGER	AR9500T,QMD RAC 1, 2	1	SA
3	DB31-00694A	MOTOR BLDC FAN	FMH2031SSA,1230rpm,310V,0.163A,27W	1	SA
3,4,5,6,7,8,9	DB90-11665G	ASSY FRAME IN-HX UNITS	QMD RAC CV,Q1 , S1-5 DB96-24831E , 2WS	1	SA
4	DB90-11563A	ASSY HOLDER-PIPE	QMD RAC 3,HOLDER PIPE + FOAM PU	1	SA
4	DB61-07413A	HOLDER-PIPE	AR9500,PP,T2,NATURAL,PTN960	1	SA
5	DB63-04215A	COVER MOTOR	AR9500,PP,T3.2,NATURAL	1	SA
6	DB94-00455B	ASSY-RUBBER BEARING	AR18MC5UDMCNNA,ASSY	1	SC
6-1	DB94-40007B	ASSY BEARING	G1-PJT,SSEC	1	SC
7	DB94-02933B	ASSY FAN CROSS	QMD RAC1,PI106.5 , L596mm	1	SA
8	DB94-07968B	ASSY BACK BODY	AR9500T,QMD RAC 1, CV	1	SA
9	DB96-24831E	ASSY EVAP-TOTAL	S1-5,L591, 1BY2, EU	1	SA
9-5-1	DB60-30010A	FASTENER-NUT FLARE	BRASS	1	SA
11	DB63-04223A	COVER PANEL	AR9500T, QMD RAC1, WIND,HIPS,T2.5,DA WHITE	1	SA
12	DB92-04821B	ASSY PANEL FRONT	GEO,DIT+Bixby,QMD RAC1, WIND	1	SA
12-1	DB64-03463A	PANEL FRONT	AR9500T, QMD RAC1, WIND,HIPS,XQ-83180,DA WHITE	1	SA
12-2	DB64-03457A	GRILLE INLET	AR9500T, QMD RAC1, WIND, GEO,HIPS,T2.2,DA WHITE,XQ-831	1	SA
12-3	DB93-17180B	ASSY DISPLAY	AR9500T,No hole, DIT+Bixby	1	SA
13	DB61-07430A	PLATE CONTROL-RIGHT	AR9500T,GI-SGCC,T0.3	1	SA
14-10	DB92-04839A	ASSY PCB MAIN	MAIN,QMD RAC AR9500T,142x121mm,220V-240V,5V,12V,17V	1	SA
14-11	DB93-14245D	ASSY CONNECTOR WIRE-EARTH	1,1015,16,YEL/GRN,ST710095-3,ST710095-3,-,380,-,-,-,EVA-PL	1	SA
14-12	DB93-17055B	ASSY CONNECTOR WIRE-COMM	2,1007,22,RED,SMH250-03L/RED,179973-1,-,270,PVC TUBE,20	1	SA
14-13	DB93-17169A	ASSY CONNECTOR WIRE-POWER	3,1015,18,BRN,YH396-05VR/BLU,175022-1,ST710095-3,150,-,-	1	SA
14-14	DB32-00277A	SENSOR TEMP	103HW,L400,10kohm	1	SA
14-14	DB93-17178A	ASSY CONNECTOR WIRE-DC SIGNAL	14,2095,26,RED,SMH200-H14H3/WHT,SMH200-H14H3/WHT,-,	1	SA
14-2	DB37-00033B	TERMINAL BLOCK	4P,MELAMINE,300V,25A,47X36.4X22mm,D4,NO,L1, L2, F1, F2,4	1	SA
14-8	DB61-07432A	CASE CONTROL-IN	AR9500T,ABS,L260,BLACK	1	SA
14-9	DB92-04833B	ASSY PCB DISPLAY	DISPLAY_DLX,QMD RAC AR9500T,84.5x50mm,-,-, WIFI,N,Stand	1	SA
14-9-1	DB61-07412A	CASE-LED	AR9500T, QMD RAC,HIPS,T1.8,L69,BLACK,8.8	1	SA
15	DB94-08007B	ASSY TRAY DRAIN	DA WHITE,Y,QMD RAC 1,WIND(MANUAL)	1	SA
15-1	DB31-00370B	MOTOR STEP	DC 12V,650gfcM,E CLASS,1W	1	SA
15-10	DB63-04248A	GUARD-SCREEN	AR9500T,MSWR,T1,BLACK,QMD1,L592.9	1	SA
15-12-1	DB66-02037A	BLADE V	AR9500,PP,T1.6,QMD RAC_WIND(Manual, 6EA)	2	SA
15-13	DB66-02041A	BLADE H	AR9500,HIPS,T3.3,QMD RAC1_WIND	1	SA
15-17	DB73-00180A	RUBBER-CAP DRAIN	SS-PJT,EPDM,PM GRAY	1	SA
15-19	DB94-02195B	ASSY DRAIN-HOSE	ALL,HOSE DRAIN L550mm	1	SA
15-21	DB93-17171A	ASSY CONNECTOR WIRE-DC SIGNAL	2,2095,26,RED,SMH250-14L/WHT,25045HP-02A/WHT,-,200,-,-	1	SA
15-22	DB61-07451A	HOLDER BLADE	QMD RAC,POM,T2.5,NATURAL,F20-03	1	SA
15-5	DB61-07418A	HINGE BLADE-A	AR9500,POM,T0.7,W10.1,F20-03	1	SA
15-6	DB61-07419A	HINGE BLADE-B	AR9500,POM,T0.7,W16.1,F20-03	1	SA
16	DB61-06087A	HOLDER-REMOCON	DELUXE,HIPS,T2,DA WHITE,S834S1	1	SA
17	DB96-24901G	ASSY WIRELESS REMOCON	ARRH-5207,20. QMD RAC NORDIC,RS-3,ENGLISH,40.0*45.0,°C,RA	1	SA