



Parts List

ER2A-FS

TABLE OF CONTENTS

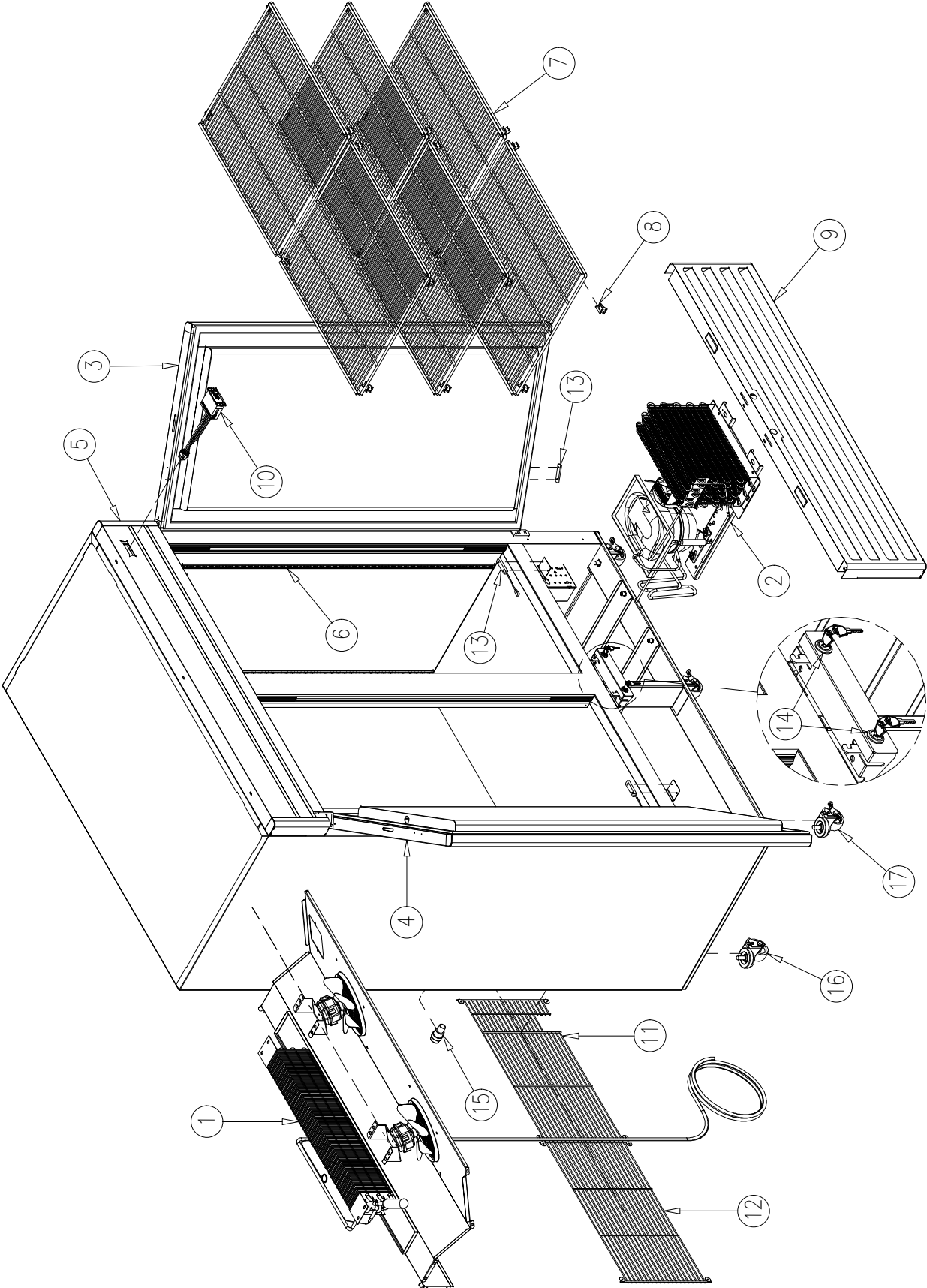
MAIN ASSEMBLY	3
EVAPORATOR ASSEMBLY	5
CONDENSING UNIT ASSEMBLY	7
DOOR ASSEMBLY	9
LIGHTING SYSTEM	11

NOTE:

To order spare parts, always include the following information:

- *Model Number* _____
- *Serial Number* _____

MAIN ASSEMBLY

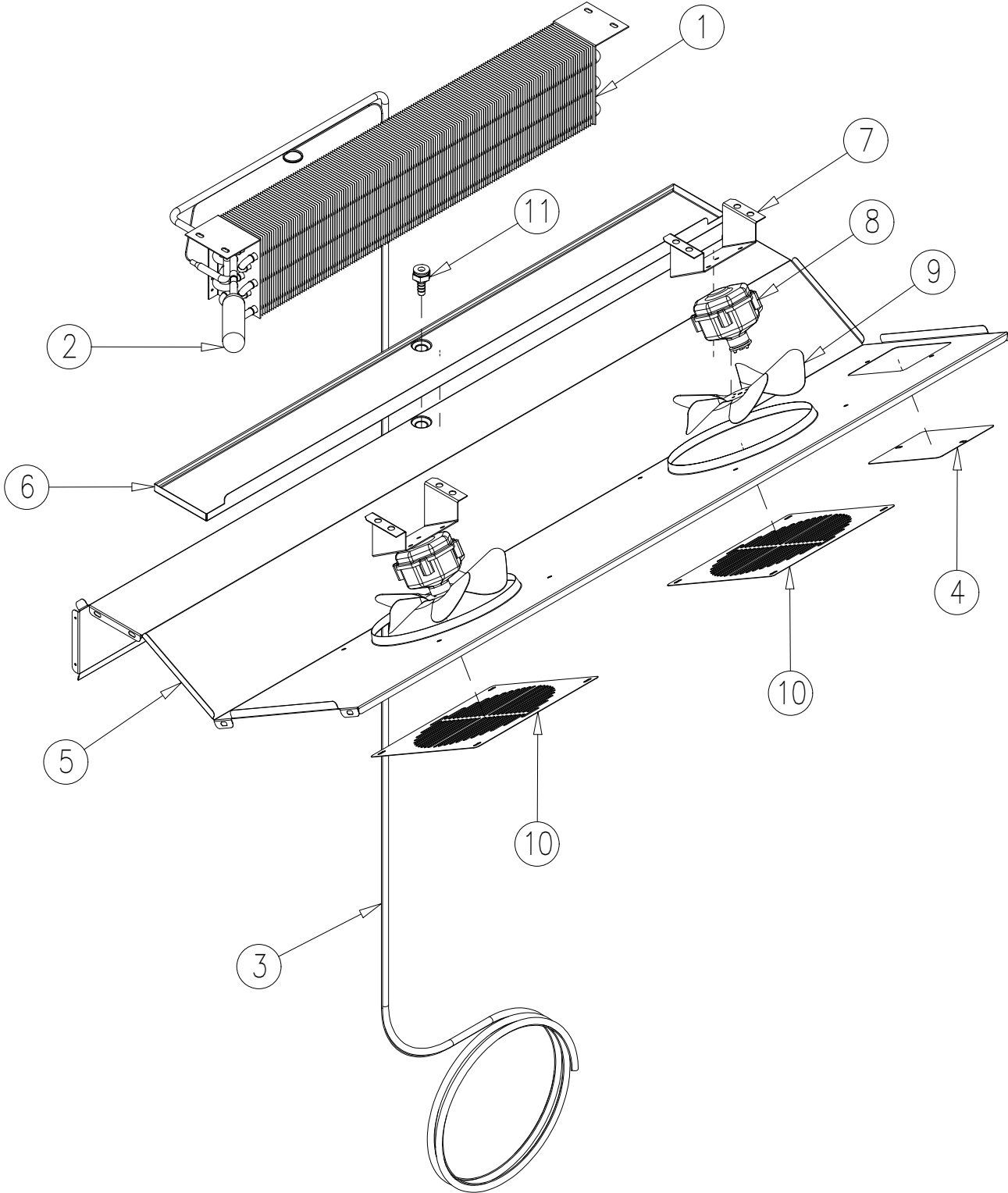


ER2A-FS

MAIN ASSEMBLY

<i>Item No.</i>	<i>Description</i>	<i>Part No.</i>	<i>Quantity per cooler</i>
1	EVAPORATOR ASSEMBLY	OT-EV-0194	1
2	CONDENSING UNIT ASSEMBLY	OT-UN-0090	1
3	RIGHT DOOR ASSEMBLY	OT-PTA-0249-R	1
4	LEFT DOOR ASSEMBLY	OT-PTA-0249-L	1
5	HEADER SIGN	OT-ROTULO-0228	1
6	PILASTER 48"	PI-5	8
7	FLAT SHELF	SH-0445-HD-FE-GR	6
8	SHELF CLIPS	CL-51-SS-E	24
9	FRONT GRILL	OT-CUBREMOTOR-0295	1
10	ELECTRONIC THERMOSTAT XR07CH	CT-69-DI-141	1
11	RIGHT BACK GRILL	SH-0562-G-GR	1
12	LEFT BACK GRILL	SH-0563-G-GR	1
13	MAGNETIC SWITCH	EL-306	2
14	KEY SET	HA-471-G	2
15	DECOMPRESSION VALVE	VA-103	2
16	BACK SWIVEL BOLT HEAD CASTER	CA-4	3
17	FRONT SWIVEL BOLT HEAD CASTER WITH WHEEL BRAKE	CA-4-BR	3

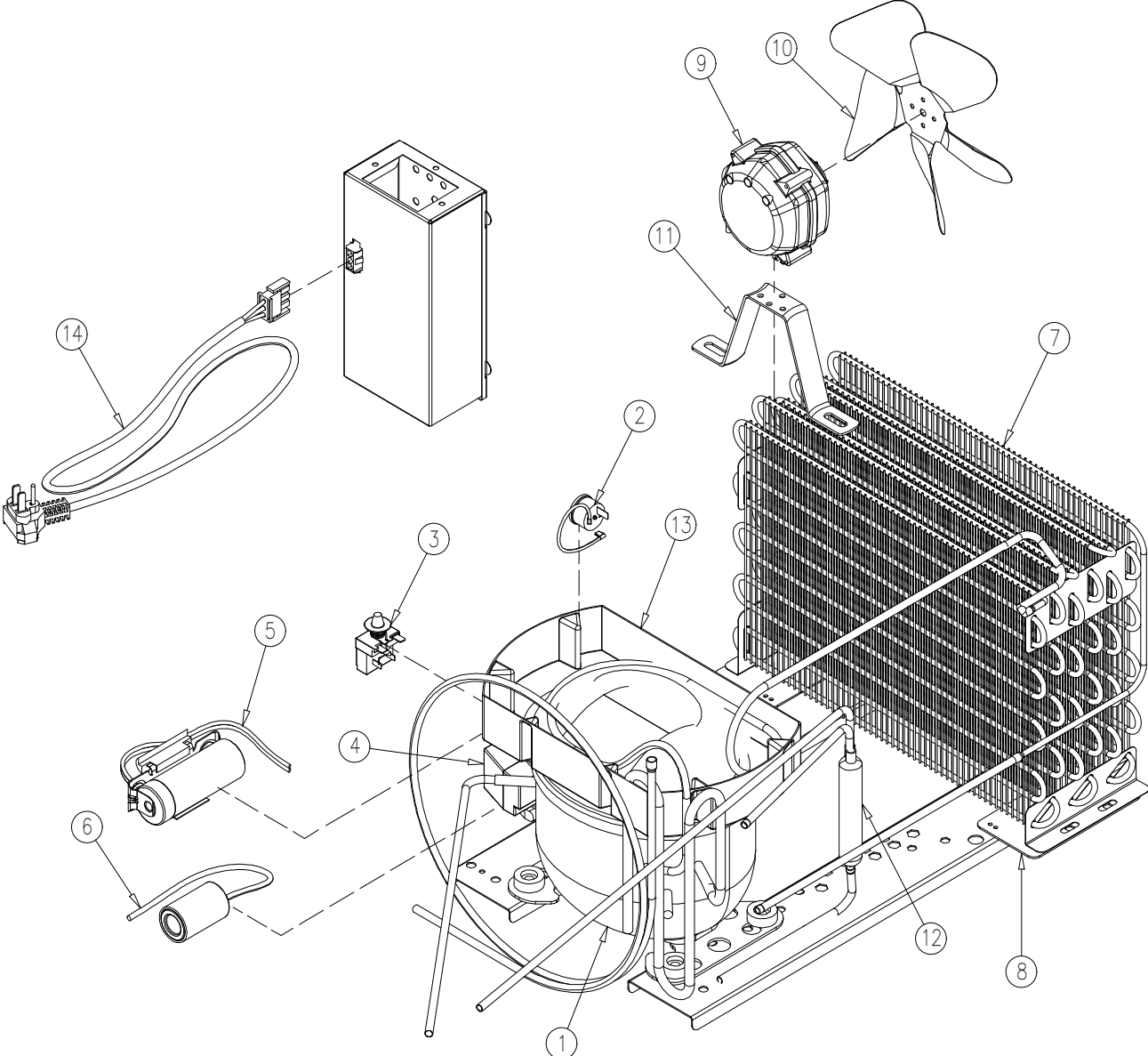
EVAPORATOR ASSEMBLY



EVAPORATOR ASSEMBLY

<i>Item No.</i>	<i>Description</i>	<i>Part No.</i>	<i>Quantity per cooler</i>
1	EVAPORATOR	CO-369	1
2	ACCUMULATOR	DR-19-C	1
3	HEAT EXCHANGER	TUB-1152	1
4	BAFFLE COVER	OT-9059	1
5	BAFFLE	OT-21710	1
6	EVAPORATOR DRAIN PAN	OT-21712	1
7	EVAPORATOR FAN MOTOR BRACKET	OT-21719	2
8	EVAPORATOR FAN MOTOR	FA-41	2
9	EVAPORATOR FAN BLADE	FA-2-EBM	2
10	FAN GUARD	OT-2395	2
11	PLASTIC DRAIN	DR-1-P	1

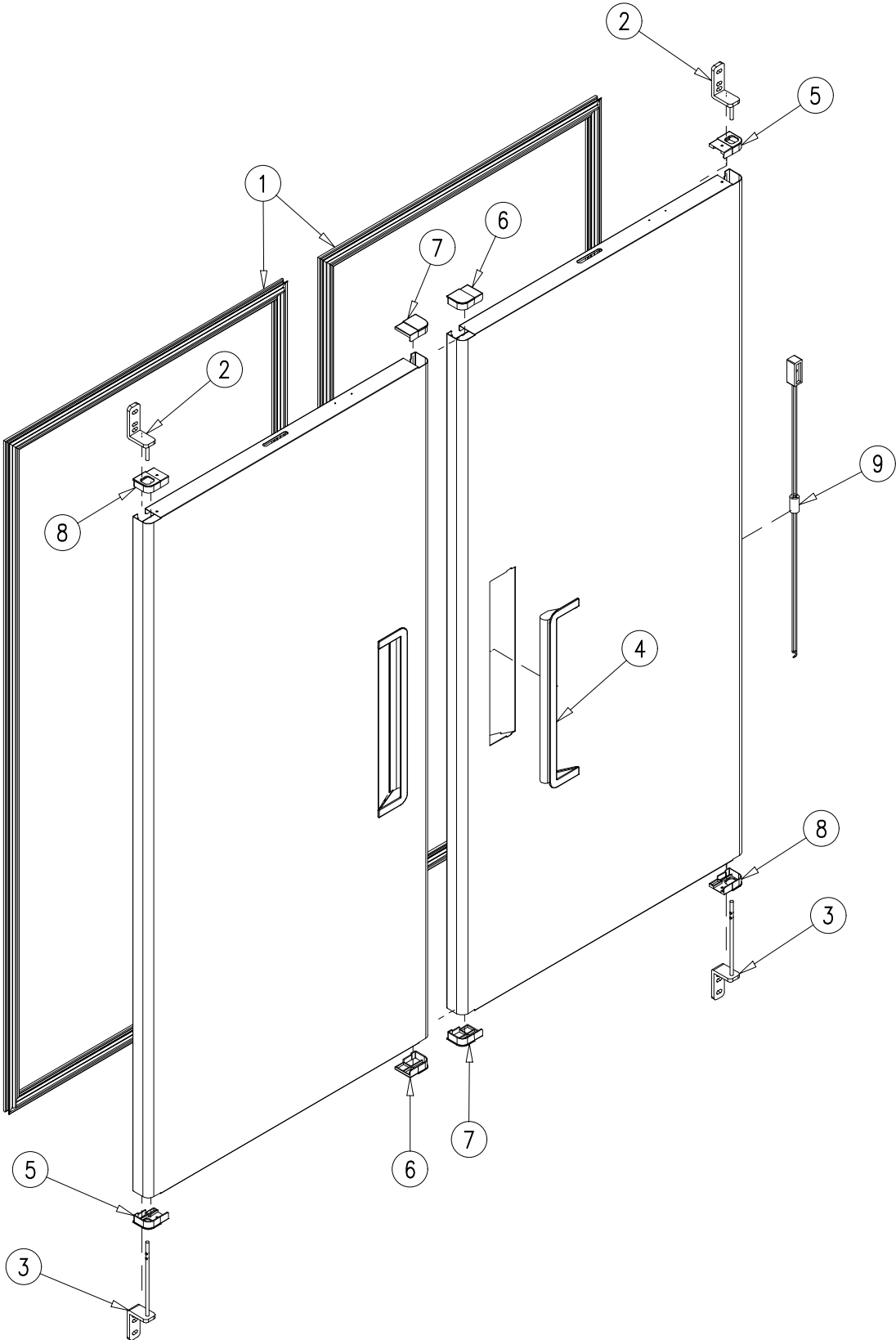
CONDENSING UNIT ASSEMBLY



CONDENSING UNIT ASSEMBLY

<i>Item No.</i>	<i>Description</i>	<i>Part No.</i>	<i>Quantity per cooler</i>
1	1/2HP 115-127V/60HZ R-290 COMPRESSOR	NLY12NRB	1
2	T0258 EXTERNAL PROTECTOR	EL-2120-R	1
3	2014 187 RELAY	EL-2121-R	1
4	ELECTRICAL BOX	EL-2122-R	1
5	250 μ F 160V START CAPACITOR	CAP-250-160	1
6	15 μ F 250V RUN CAPACITOR	CAP-15-250	1
7	CONDENSER	CO-454	1
8	CONDENSER BASE	OT-19783	1
9	CONDENSER FAN MOTOR	FA-41	1
10	CONDENSER FAN BLADE	FA-11-WE	1
11	CONDENSER FAN MOTOR BRACKET	FA-18	1
12	DRIER	DR-31-P	1
13	COMPRESSOR EVAPORATION TRAY	DP-8	1
14	POWER CORD	EL-1265-9	1

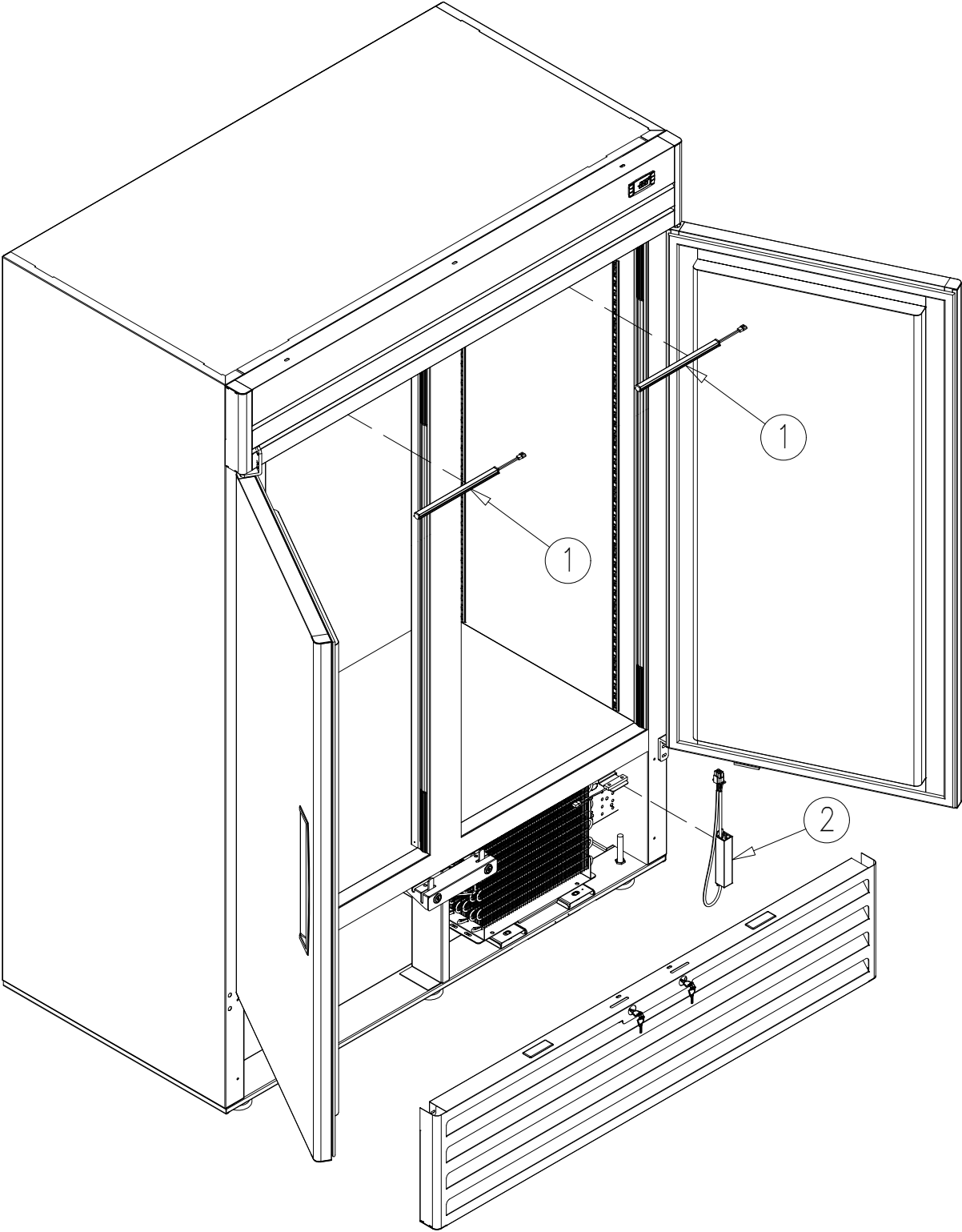
DOOR ASSEMBLY



DOOR ASSEMBLY

<i>Item No.</i>	<i>Description</i>	<i>Part No.</i>	<i>Quantity per cooler</i>
1	MAGNETIC GASKET	OT-GA-400-PTA-0249	2
2	UPPER HINGE ASSEMBLY	HA-535-R	2
3	LOWER HINGE ASSEMBLY	HA-522-R	2
4	DOOR HANDLE	HA-836	2
5	DOOR CAP	ESQ-037-A-GR	2
6	DOOR CAP	ESQ-038-A-GR	2
7	DOOR CAP	ESQ-037-B-GR	2
8	DOOR CAP	ESQ-038-B-GR	2
9	TORSION MECHANISM	HA-479	2

LIGHTING SYSTEM



LIGHTING SYSTEM

<i>Item No.</i>	<i>Description</i>	<i>Part No.</i>	<i>Quantity per cooler</i>
1	9 3/4" LED LAMP STRIP	EL-145	2
2	1.25 Amp. LED DRIVER	OT-EL-151-T	1

