

# Perfect-Platform

## HIGH EFFICIENCY MEDIA AIR CLEANER PLATFORMS FOR GAS & ELECTRIC FURNACES



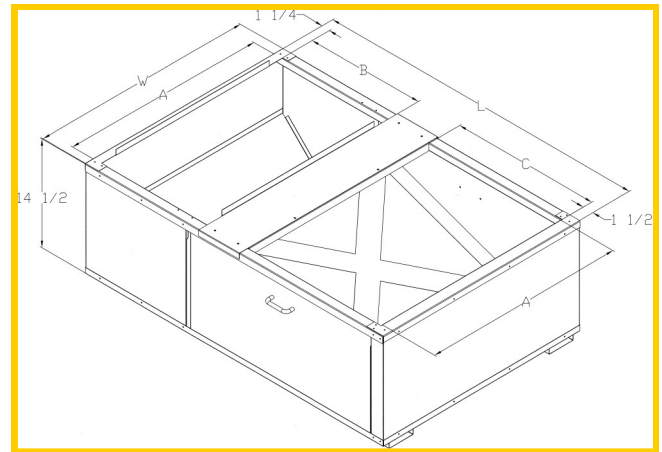
### Description

- The new **Perfect-Platform Series** Media Air Cleaners by Electro-Air offer the most well-built, sleek designed and easiest to use galvanized sheet metal filter housings on the market, for residential and light commercial use.
- Space saving design for vertical installations, keeps furnace off floor allowing a cleaner, more professional installation. Eliminates the possibility of dust, pet hair, insects, rodents, water or sewer backup from entering the furnace.
- Allows furnace to work at maximum efficiency and extends life of furnace by providing even air flow distribution across bottom. Especially ideal for High Efficiency Furnaces, where side returns require more installation time, and are inefficient compared to a bottom return.
- Allows filter to work at maximum efficiency by eliminating need for transitions, deflectors or turning vanes, thereby saving installation time and costs.
- Removes atmospheric and household dust, coal dust, insecticide dust, mites, pollen, mold spores, fungi, bacteria, viruses, pet dander, cooking smoke and grease, tobacco smoke particles, and more down to 0.3 micron (1/84,000 of an inch).

- Made to fit 1-3 ton or 3.5 ton electric air handlers or gas furnaces.
- Ideal for homes with allergy, asthma or respiratory sufferers, smokers, pets and mustiness.
- Helps protect and prolong the operating efficiency of the heating and cooling system.

### Standard Features

- High efficiency **MERV 11** Media Filter is an extra deep, 5¼ inch, 24 pleat filter which contains more media material than other filters on the market. More surface area means more collection area, longer filter life and lower static pressure. Filter lasts up to one year.
- Two, pull-out doors with handle allow filter access from either side.
- Adjustable inlet duct opening replaces need for field forming transition, significantly reducing installation time.
- Heavy 22 gauge galvanized sheet metal has been die cut for smooth edges, allowing for a smoother installation.
- Solid cabinet is riveted for sturdiness and long life.
- Individually boxed for convenient shipping and warehousing.



MODEL NO.	W	L	A	B	C	FILTER SIZE	REPLACEMENT FILTER
EAFB2832-M8*	28½	32	23¾ 26½	8	13½	20 x 25	M8-1056
EAFB2843-M8*	28½	43	23¾ 26½	10 12	19 22½	20 x 25	M8-1056
EAFB2232-M2	22½	32	20½	9½	14½	20 x 20	M2-1056
EAFB2240-M8	22½	40	20½	12	20	20 x 25	M8-1056

\* Includes removable Duct Adaptor Brackets.



**ELECTRO-AIR CANADA**  
 351 North Rivermede Road, Concord, Ontario, Canada L4K 3N2  
 Tel: (416) 213-5636 Fax: (416) 213-5593  
**Toll Free North America: 1-800-267-8305**  
 Email: info@fiveseasonsaircleaners.com Web: www.fiveseasonsaircleaners.com

