

## BIO-WALL MAX 40-G AIR PURIFIER

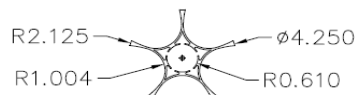
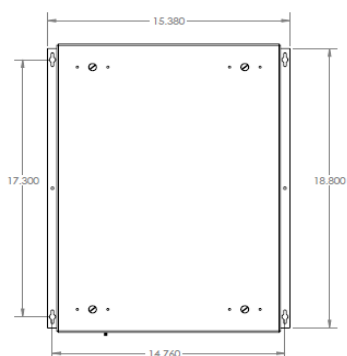
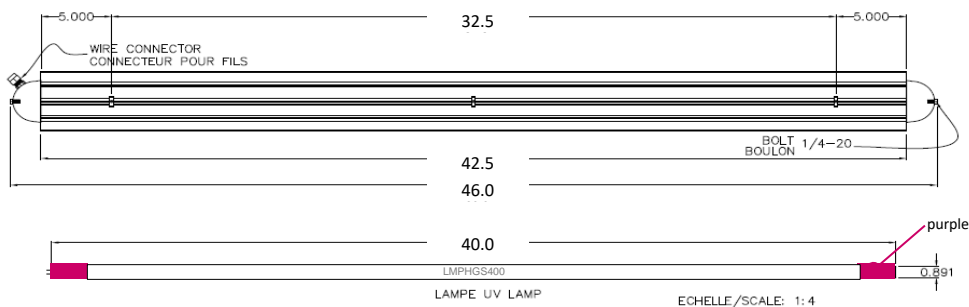
Project Name:	
Architect:	
Engineer:	
Purchaser:	
Submitted By:	

Quantity		Unit(s) Designation	<b>BIO-WALL MAX</b>	Model No.:	<b>BIOM-40-G</b>
----------	--	---------------------	---------------------	------------	------------------

### TYPE: OUTWARDLY PROJECTING UV AIR PURIFIER

#### Standard Features:

Dimensions:	
Lamp Reflector Assembly: Diameter X Overall Length (in)	5.25 X 46 (133 mm x 1168 mm)
Ballast Box: Height X Depth X Length (in)	19.4 X 3.2 X 15.4 (493mm x 81mm x 391mm)
Shipping Weight (lbs) Lamp Assembly & Ballast Box	46.5 lbs (21 kg)
Power	120 to 277v AC
Watts	525 w
Display screen	Optional remote 7 in (180 mm ) touchscreen
Dry contact - normally close	Link to BMS- lamp in group or individually
Power relay+ switch relay	ON/OFF remotely + contact for door cut off switch
Starting	Hardwire to air handler
Line Cord	No
UV Lamp Type	Proprietary high intensity 19mm mercury vapor quartz
UV Wavelength Nanometers (nm) *	UVC 254nm
UV Lamp Configuration	Straight T6 (5)
UV Lamp length	40 in (1016 mm)
Internal Lumina Lamp coating to prevent solarization	Yes
Reflector	Anodized aluminum parabolic reflectors (5)
Lamp Change Out Time	17,000 Hours
Lamp Warranty	2 years
Purifier Warranty	Ballast: 15 years, Electronic : 1 year
Construction	Aluminum /steel/ SS parts
Certifications	cETL <sub>US</sub> listed
Lamp- part number	LMPHGS400 (5)
Ballast part number	BST120/277SHS (5)



SCALE/ÉCHELLE: 1:3