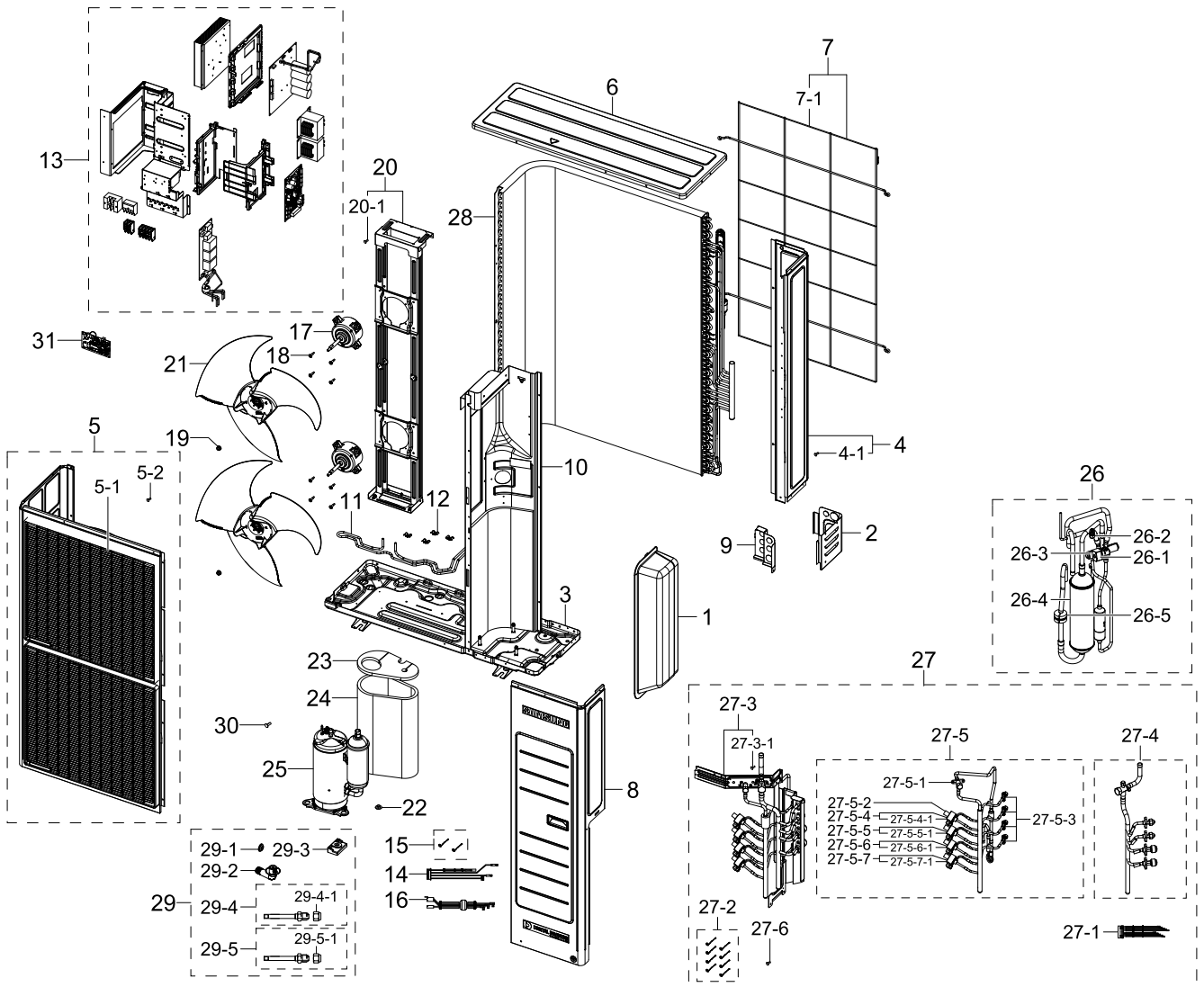


1. AJ036TXS4CH/AA

Exploded View



Parts List

No.	Lvl.	Loc.	Material Code	Description & Specification	SNA	Qty.
1	2	C1125	DB63-04266A	COVER VALVE; AJ048TXJ5CH/AA,PP,T2.5,EARTH	SA	1
2	2		DB64-02525C	CABINET-INSTALL BACK; RC160MHXEA,EGI-SECC	SA	1
3	2	A0092	DB90-05873K	ASSY BASE OUT; AE160JNYDEH/EU	SNA	1
4	2	A2609	DB90-05876G	ASSY CABI BACK-RH; AC048KXADGC/TL,UB2	SA	1
4-1	3	S0025	6002-000481	SCREW-TAPPING; TH,+,NO,2S,M4.0,L12,NI PLT	SA	2
5	2	A2620	DB90-05878G	ASSY CABI FRONT-LF; AJ048TXJ5CH/AA,FJM UB	SA	1
5-1	3		DB63-02696B	GUARD-FAN; RC100PHXEA,PP,EARTH BROWN	SA	2
5-2	3	S0025	6002-000481	SCREW-TAPPING; TH,+,NO,2S,M4.0,L12,NI PLT	SA	8
6	2	A0212	DB90-05902E	ASSY CABINET-TOP; RC090MHXEA,EHS MONO	SA	1

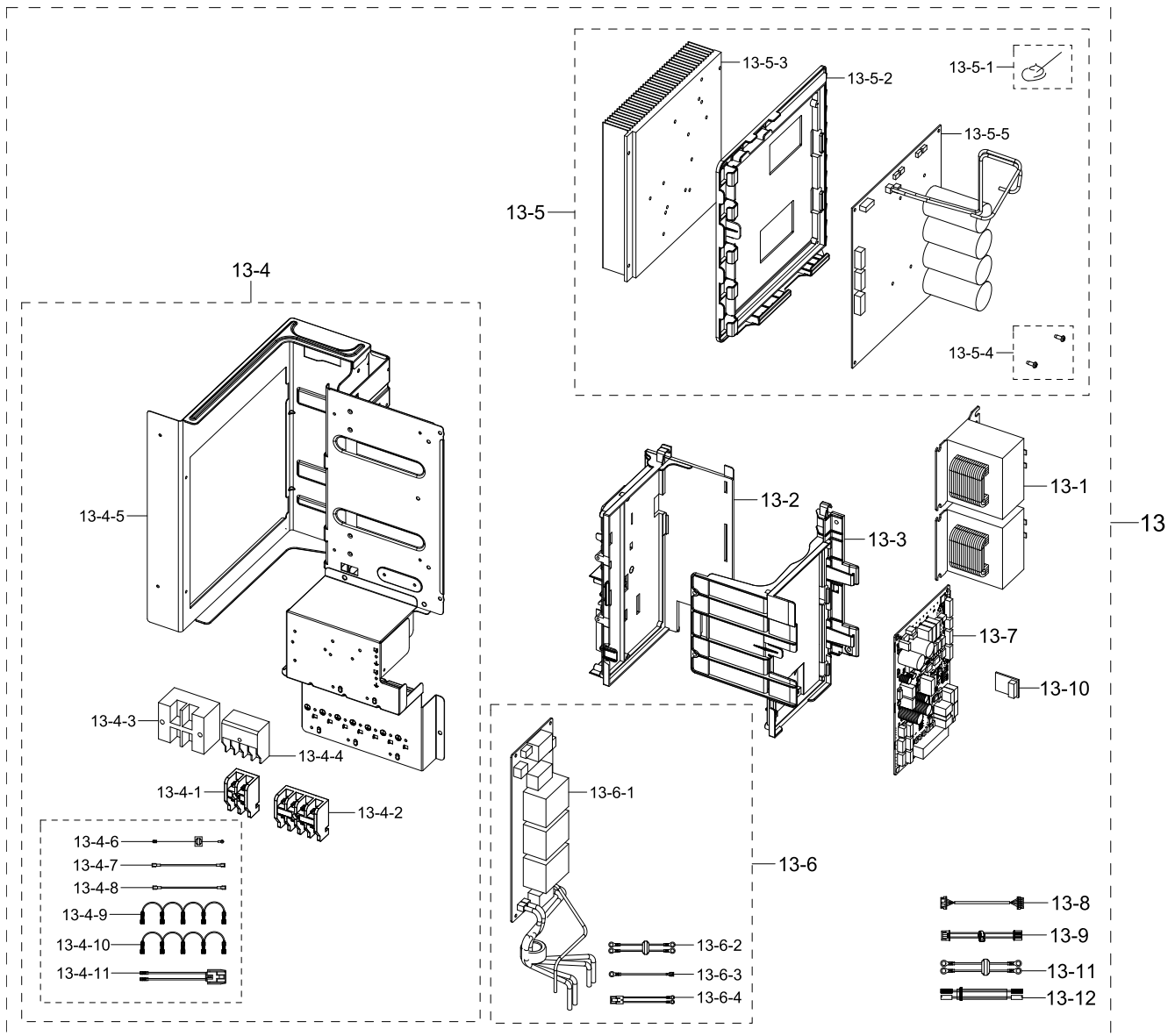
Exploded Views and Parts List

No.	Lvl.	Loc.	Material Code	Description & Specification	SNA	Qty.
7	2		DB90-08318D	ASSY GUARD-COND; UB2 for CAC	SNA	1
7-1	3		DB63-02706D	GUARD COND; RC100ZHXE,MSWR-SWRM,EARTH BR	SA	1
8	2	A2608	DB90-11587A	ASSY CABI FRONT-RH; AJ048TXJ5CH/AA	SA	1
9	2		DB90-11588A	ASSY PLATE-CONTROL; AJ048TXJ5CH/AA,FJM UB	SA	1
10	2	A1748	DB94-02697F	ASSY PARTITION; AC048KXADGC/TL,UB2	SA	1
11	2		DB47-00075A	HEATER SHEATH; AC230V,RAC Nordic UB1 Chas	SA	1
12	2		DB61-05376A	HOLDER-HEATER; RC160MHXE,STS316L,W15,L26	SA	4
13	2		DB92-04921A	ASSY KIT-OUT; OUTDOOR,FJM NASA,UB2-R410,S	SNA	1
14	2		DB32-00199D	SENSOR TEMP; 103HW,SMH250-08L,L1200,10koh	SA	1
15	2	S0242	DB81-00635A	SPRING ETC-SENSOR; DVM-SYSTEM,STS304,R2.5	SA	2
16	2	A0630	DB93-08235M	ASSY CONNECTOR WIRE-COMP; 3,3343,12,RED,H	SA	1
17	2	M0039	DB31-00579A	MOTOR FAN; 125W,0Hz,DC310V,CLASS E	SA	2
18	2	S0019	DB60-00150A	SCREW-SPECIAL; HWH,M4,L26,ZPC(WHT),SWRCH1	SA	8
19	2		DB60-00405A	FASTENER-WASHER; RC100ZHXE,SWRCH10A,M8	SA	2
20	2	A2803	DB90-05875B	ASSY BRACKET MOTOR; RC100PHXE,R410A	SA	1
20-1	3	S0025	6002-000481	SCREW-TAPPING; TH,+,NO,2S,M4.0,L12,NI PLT	SA	14
21	2		DB94-06687A	ASSY FAN PROPELLER; AC071MXADKH/EU,ASSY	SA	2
22	2	S0018	DB60-30028A	NUT-FLANGE; HWH,M8,ZPC(WHT),SWRCH18A,P1.2	SA	3
23	2		DB63-03164A	CLOTH-COMP TOP; AC110RX4DBH1,CLOTH/EVA/FE	SA	1
24	2		DB63-03042A	CLOTH-COMP SIDE; RJ100F5HXEA,EVAR/FELT,T5	SA	1
25	2		DB95-05799A	ASSY COMP; AJ100RCJ5EG/EU,R32	SA	1
26	2		DB96-25040A	ASSY TUBE 4WAY; AJ048TXJ5CH/AA	SA	1
26-1	3	S0247	DB33-00002K	SOLENOID-COIL ASSY; 220V	SA	1
26-2	3	N0027	DB60-30010A	FASTENER-NUT FLARE; BRASS	SA	1
26-3	3	V0010	DB62-02838A	VALVE 4WAY; COMMON,3.5	SA	1
26-4	3	A0316	DB96-14716A	ASSY-ACCUMULATOR; RC100PHXE,1600CC	SA	1
26-5	3		DB67-00903B	WEIGHT-RUBBER; NR,T30,OD 47pi,BLK,15.88pi	SNA	1
27	2		DB96-25041B	ASSY VALVE; AJ036TXS4CH/AA	SA	1
27-1	3		DB32-00278E	SENSOR TEMP; 103AT,WB20L-024-411/WHT,L900	SA	1
27-2	3	S0242	DB81-00635A	SPRING ETC-SENSOR; DVM-SYSTEM,STS304,R2.5	SA	8
27-3	3		DB90-05874B	ASSY BRACKET-VALVE; RC100PHXE,ManU	SA	1
27-3-1	4	S0025	6002-000481	SCREW-TAPPING; TH,+,NO,2S,M4.0,L12,NI PLT	SA	1
27-4	3		DB96-25042B	ASSY TUBE EEV-JOINT; AJ036TXS4CH/AA	SA	1
27-5	3		DB96-25043B	ASSY TUBE EEV; AJ036TXS4CH/AA	SA	1
27-5-1	4		DB62-12108A	VALVE SERVICE-SPINDLE; T-TYPE, NO PORT,R4	SA	1
27-5-2	4		DB62-12123A	VALVE EXPAN; DPFI. 3C-018,STS304,R410A,1.	SA	4
27-5-3	4		DB67-00281B	NIPPLE; RVPC035B2M0,C3771,-,-,L37,-,1/4	SA	4

No.	Lvl.	Loc.	Material Code	Description & Specification	SNA	Qty.
27-5-4	4		DB96-23422F	ASSY VALVE-EXPANSION; AJ048TXJ5CH/AA,RED	SNA	1
27-5-4-1	5		DB62-12208A	VALVE COIL EXPAN; DC12V,COIL,1000,15.45,M	SA	1
27-5-5	4		DB96-23422G	ASSY VALVE-EXPANSION; AJ048TXJ5CH/AA,YELL	SNA	1
27-5-5-1	5		DB62-12208A	VALVE COIL EXPAN; DC12V,COIL,1000,15.45,M	SA	1
27-5-6	4		DB96-23422H	ASSY VALVE-EXPANSION; AJ048TXJ5CH/AA,BLUE	SNA	1
27-5-6-1	5		DB62-12208A	VALVE COIL EXPAN; DC12V,COIL,1000,15.45,M	SA	1
27-5-7	4		DB96-23422J	ASSY VALVE-EXPANSION; AJ048TXJ5CH/AA,BLAC	SNA	1
27-5-7-1	5		DB62-12208A	VALVE COIL EXPAN; DC12V,COIL,1000,15.45,M	SA	1
27-6	3	S0025	6002-000481	SCREW-TAPPING; TH,+,NO,2S,M4.0,L12,NI PLT	SA	1
28	2		DB96-14661B	ASSY COND BENDING; UB2	SA	1
29	2		DB97-18601A	ASSY ACCESSORY; HP,Inv,10.0kW,N,RJ100F5HX	SNA	1
29-1	3	Z0165	DB63-10355C	CAP-DRAIN; -,CR,T2,-,-,-,-,-,BLACK,-,-,-,-,	SA	3
29-2	3	D0116	DB67-00806A	DRAIN-PLUG OUT; UH140GAV,PE,-,-,-,-,NATUR	SA	1
29-3	3	Z0166	DB73-20134A	RUBBER-LEG; V2-MD,NBR,10,BLACK	SA	4
29-4	3		DB96-16155A	ASSY TUBE; RJ100F5HXEA,FJM2	SNA	3
29-4-1	4	N0027	DB60-30010B	FASTENER-NUT FLARE; AR12RV3HEWKXNA,BRASS	SA	3
29-5	3		DB96-16155B	ASSY TUBE; RJ100F5HXEA,FJM2	SNA	2
29-5-1	4	N0027	DB60-30010D	FASTENER-NUT FLARE; BRASS	SA	2
30	2	S0025	6002-000481	SCREW-TAPPING; TH,+,NO,2S,M4.0,L12,NI PLT	SA	15
31	1		DB82-03999C	A/S ASSY-EEPROM; AJ036TXS4CH,AA,UB2,PF5-S	SA	1

2. ASSY KIT-OUT

Exploded View



Parts List

No.	Lvl.	Loc.	Material Code	Description & Specification	SNA	Qty.
13	2		DB92-04921A	ASSY KIT-OUT; OUTDOOR,FJM NASA,UB2-R410,S	SNA	1
13-1	3		DB27-00100A	COIL HARMONIC; 5mH,86.0x94.5xTmm,20A,-	SA	2
13-2	3		DB61-04502D	CASE-EMI; RC090MHXE,AA,HIPS,L0,NATURAL,VE-1	SA	1
13-3	3		DB61-05743A	CASE-PCB; AM053FXMDCH/AA,HIPS,T2,L243.3,N	SA	1
13-4	3		DB90-11593A	ASSY PLATE-CONTROL; AJ048TXJ5CH/AA,FJM UB	SA	1
13-4-1	4		DB37-00036A	TERMINAL BLOCK; 2P(4SCREW),MELAMINE,600V,	SA	1
13-4-2	4		DB37-00037A	TERMINAL BLOCK; 4P(8SCREW),MELAMINE,600V,	SA	1
13-4-3	4		DB37-00038A	TERMINAL BLOCK; DATA 60A-2P-M,MELAMINE,60	SA	1

No.	Lvl.	Loc.	Material Code	Description & Specification	SNA	Qty.
13-4-4	4		DB65-00304B	TERMINAL BLOCK; FJM2 SI, P,DAF-25A-4TP	SA	1
13-4-5	4		DB90-05889F	ASSY CASE CONTROL; AJ048TXJ5CH/AA,FJM UB2	SA	1
13-4-6	4		DB93-10906C	ASSY CONNECTOR WIRE-OUT EARTH; 1,1015,18,	SA	1
13-4-7	4	A3088	DB93-11280A	ASSY CONNECTOR WIRE-TERMINAL BLOCK; 1,101	SA	2
13-4-8	4	A3088	DB93-11280B	ASSY CONNECTOR WIRE-TERMINAL BLOCK; 1,101	SA	2
13-4-9	4		DB93-11914E	ASSY CONNECTOR WIRE-UB1 POWER JUMP; 4,101	SA	1
13-4-10	4		DB93-11914F	ASSY CONNECTOR WIRE-UB1 POWER JUMP; 1,101	SA	1
13-4-11	4		DB93-12145A	ASSY CONNECTOR WIRE-T B POWER TO EMI; 2,1	SA	1
13-5	3		DB92-04539A	ASSY KIT; PF#5,E1-PJT,INV Platform,Standa	SNA	1
13-5-1	4		0205-000178	GREASE-SILICON; YG6111,WHITE, for assembl	SA	0.007
13-5-2	4		DB61-06473A	CASE PCB; AC145JX4PHH1,ABS,COOL WHITE	SA	1
13-5-3	4	H0034	DB62-12094A	HEAT SINK; NEW PLATFORM #5,A1,10,200,192,	SA	1
13-5-4	4	A2876	DB91-00307A	ASSY-SCREW MACHINE; WW-INV,M4*16,WSP,PH,+	SA	4
13-5-5	4		DB92-04536A	ASSY PCB INVERTER; INVERTER,E1-PJT,242X19	SA	1
13-6	3		DB92-04635B	ASSY KIT; OUTDOOR,FJM,EMI PBA,POWER WIRE,	SNA	1
13-6-1	4	A1781	DB93-13593A	ASSY PCB SUB-EMI; SUB,CAC-07,230*90,-,-,-	SA	1
13-6-2	4	A0664	DB93-13687C	ASSY CONNECTOR WIRE-POWER; 2,1015,12,BRN,	SA	1
13-6-3	4	A0646	DB93-13692B	ASSY CONNECTOR WIRE-EARTH; 1,1015,16,YEL/	SA	1
13-6-4	4	A0664	DB93-16998A	ASSY CONNECTOR WIRE-POWER; 2,1015,12,BRN,	SA	1
13-7	3	A0743	DB92-04917B	ASSY PCB MAIN-OUT; OUTDOOR,FJM NASA,192x1	SA	1
13-8	3	A2934	DB93-04273B	ASSY CONNECTOR WIRE-COMM; 6,2095,26,BLU,S	SA	1
13-9	3	Z0154	DB93-10809A	ASSY CONNECTOR WIRE-EMI TO MAIN POWER; 2	SA	1
13-10	3		DB93-12483A	ASSY PCB SUB-EEPROM; SUB,DVMPLUS4 UP,20*2	SA	1
13-11	3	A0664	DB93-13687A	ASSY CONNECTOR WIRE-POWER; 2,1015,12,BRN,	SA	1
13-12	3	A2610	DB93-15686A	ASSY CONNECTOR WIRE-REACTOR; 2,3343,12,BL	SA	2