

Samsung "Max Heat" FJM Series, 4 Port Condensing Unit

Job Name _____
 Purchaser _____
 Submitted to _____
 Unit Designation _____

Location _____
 Engineer _____
 Reference _____ Approval _____ Construction _____
 Schedule # _____

Model	US Code	JXH36S4T		
	Model Number	AJ036TXS4CH/AA		
Performance*	Capacity (standard / max.)	Cooling (Btu/h)	34,000 / 39,600	
		Heating (Btu/h)	36,000 / 36,600	
	Heating Capacity at 5°F OA, 70° Indoor DB (Btu/h)		36,600	
	Heating Capacity at -13°F OA, 70° Indoor DB (Btu/h)		25,590	
	Minimum Cooling Capacity (Btu/h)		7,000	
	Minimum Heating Capacity (Btu/h)		7,500	
	SEER (Ducted / Mixed / Non-ducted)		18.0 / 19.0 / 20.0	
	EER (Ducted / Mixed / Non-ducted)		11.0 / 11.75 / 12.5	
	HSPF (Ducted / Mixed / Non-ducted)		9.1 / 9.8 / 10.5	
Power	Voltage	(ø)V/Hz	1 / 208-230 / 60	
	Rated Current (amps) ¹	Cooling (low / std. / max.)	2.9 / 13.0 / 17.4	
		Heating (low / std. / max.)	2.2 / 12.2 / 12.2	
	Max. Breaker	Amps	40	
	Minimum Circuit Ampacity (A)		36.5	
Dimensions	W X H X D	Inches	37 x 47 5/8 x 13	
	Weight	lbs.	192.9	
Noise Level	Cooling	dB (A)	52	
	Heating	dB (A)	55	
Operating Temperatures	Cooling		14 ~ 114.8°F (-5 ~ 46.0°C)	
	Heating		-13 ~ 75°F (-25 ~ 24.0°C)	
Pipe Connections	High Side		1/4" X 4	
	Low Side (suction)		3/8" X 2 + 1/2" X 2	
	Maximum Individual Line Set Length		82 ft	
	Maximum Line Set Length (total)		230 ft	
	Maximum Vertical Separation	Outdoor to Indoor		49 ft
		Highest to lowest indoor		25 ft
Included Pipe Adapters		2 - 1/2" X 3/8", 2 - 1/2" X 5/8"		
Condenser Fan	Motor		BLDC With Propeller Fan (1)	
	Output	Watts / FLA	125 X 2 / 1.28	
		CFM		3,885
Compressor	Type		Twin BLDC Rotary Inverter	
	RLA	Amps	25.6	
Heat Exchanger	Type		Aluminum Fin - Copper Tube	
	Rows		2	
Refrigerant	Type		R410A	
	Control Method		Electronic Expansion Valve	
	Factory Charge		127 oz	
	Charged for		164 ft	
	Additional Refrigerant		0.22 oz/ft over 164 ft	
Accessories	Wall Bracket		CKN-250	
Certifications	Safety		ETL (UL 1995)	
	AHRI Certification Number	Non-Ducted	205291859	
		Ducted	205236967	
		Mixed	205343318	
ENERGY STAR® Certification		Applies to AHRI non ducted listing		
Warranty	10 Years compressor, 10 year parts, 1 year limited labor (registration required)			



General Information

- The Samsung Max Heat system shall provide high heating capacity at -13°F outside temperature
- The outdoor unit shall supply power individually to the indoor units via 14 AWG X 3 power wire
- The outdoor unit shall have a base pan heater as standard to ensure optimal defrost cycle water drainage
- Auto-restart after power loss
- Available maximum current setting option to reduce operating current.
- System energy consumption can be viewed using Samsung SmartThings mobile app (not revenue grade, for reference only).
- Soft-start to reduce current demand during compressor start
- Optional snow accumulation prevention setting to prevent snow drifting against idle outdoor units
- Auto or manual addressing of indoor units

Construction

- The outdoor unit shall be galvanized steel with a baked on powder coated finish for durability

Heat Exchanger

- The heat exchanger shall be mechanically bonded fin to copper tube

Controls

- Control signal shall be a DDC type signal
- Interconnect control wire between outdoor and indoor units shall be 16AWG X 2
- Controls shall integrate with a BMS system
- The system shall integrate with the Samsung Controls solution

Refrigerant System

- The refrigerant shall be R410A
- The compressor shall be hermetically sealed, inverter controlled, Twin BLDC Rotary
- Refrigerant flow shall be controlled by 4 separate electronic expansion valves at outdoor unit

Indoor Unit Compatibility

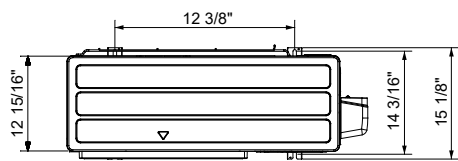
Will only operate with Samsung evaporator model numbers:
 AR**TSFABWKNCV (RNS**ABT): 7,000 - 24,000 Btu/h models
 AR**TSFYBWKNCV (RNS**YBT): 7,000 - 24,000 Btu/h models
 AJ**TNNNDCH/AA (JNH**NDT): 9,000 - 18,000 Btu/h models
 AJ**TNNLDCH/AA (JNH**LDT): 9,000 - 18,000 Btu/h models
 AJ**TNJDCH/AA (JNH**JDT): 9,000 - 18,000 Btu/h models

Proper sizing and installation of equipment is critical to achieve optimal performance. Split system air conditioners and (excluding ductless systems) must be matched with appropriate coil components to meet ENERGY STAR® criteria. Ask your contractor for details or visit www.energystar.gov.

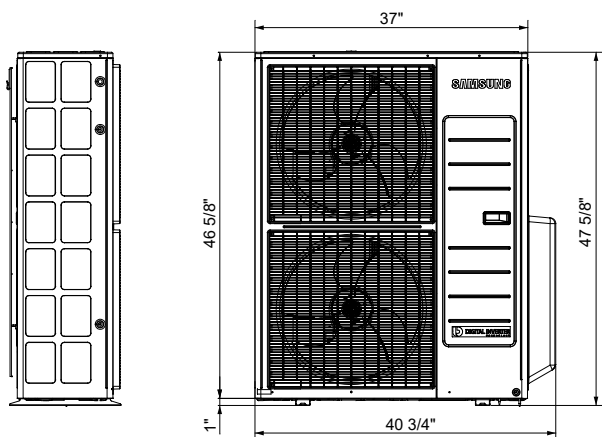
* Certified in accordance with the AHRI Unitary Small Air-Source Heat Pumps (USHP) Certification Program which is based on the latest edition of AHRI Standard 210/240. Refer to www.ahridirectory.org for current reference numbers.

¹ Rated current is based on highest combination ratio of non-ducted indoor units.

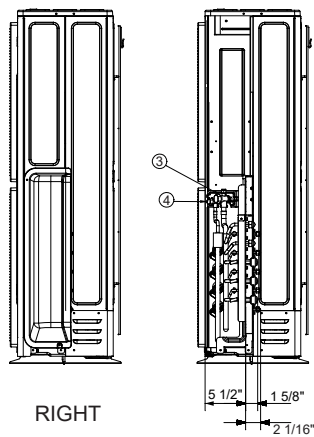
Samsung HVAC maintains a policy of ongoing development, specifications are subject to change without notice.



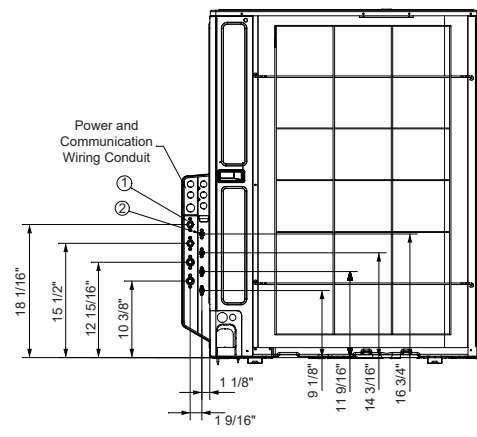
TOP



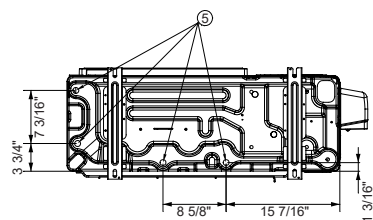
FRONT



RIGHT



BACK



BOTTOM

LEFT

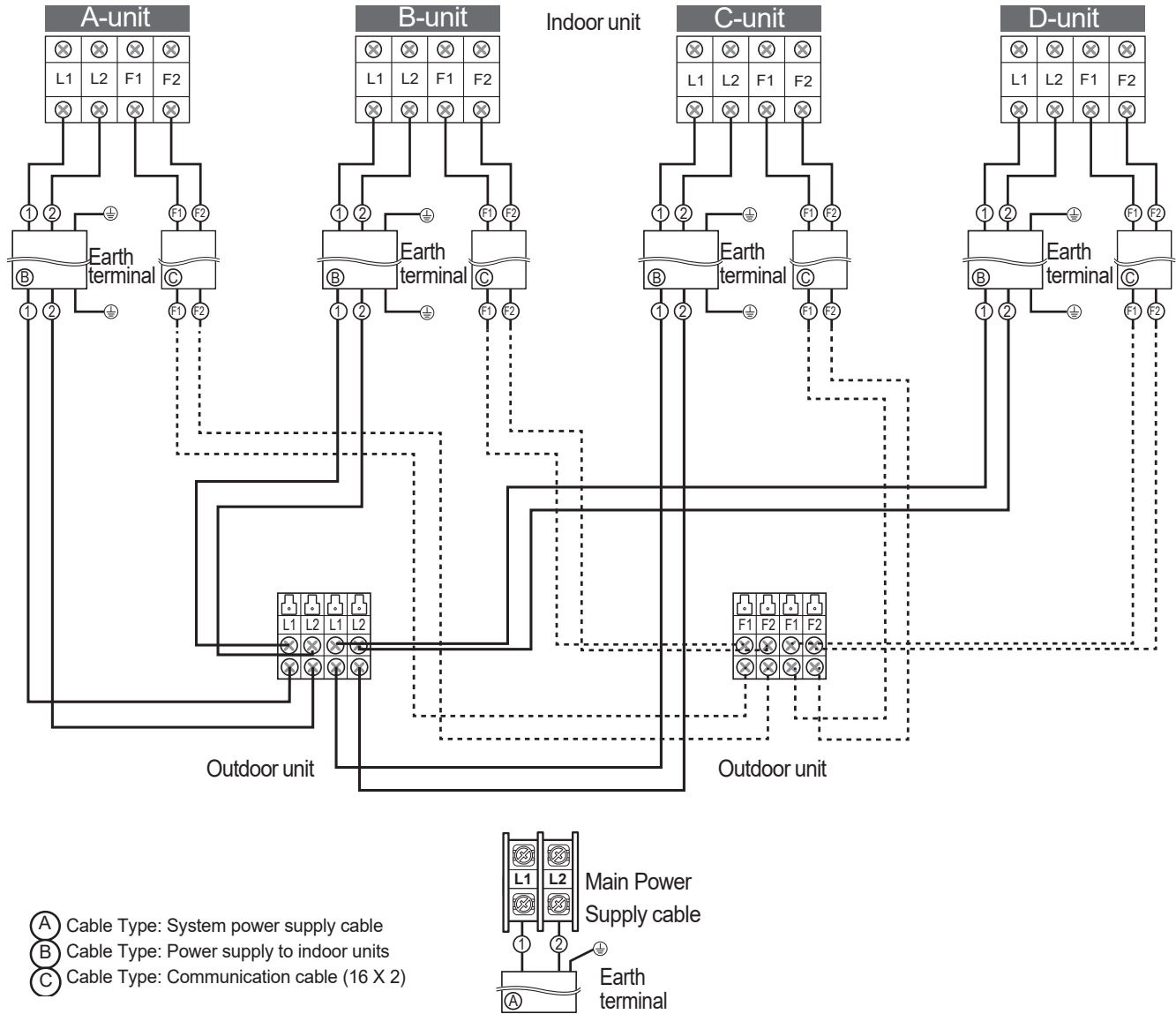
No.	Name	Description
1	Refrigerant suction pipes	$\phi 3/8" \times 2, \phi 1/2" \times 2$
2	Refrigerant liquid pipes	$\phi 1/4" \times 4$
3	Service Valve (suction)	5/8"
4	Service Valve (liquid)	3/8"
5	Drain holes	Connection with provided drain fitting

Indoor Unit Connection Options

		Indoor unit Capacity (Btu/h)			
		A	B	C	D
2 Indoor Units		7,000	7,000		
		7,000	9,000		
		7,000	12,000		
		7,000	15,000		
		7,000	18,000		
		7,000	24,000		
		9,000	9,000		
		9,000	12,000		
		9,000	15,000		
		9,000	18,000		
		9,000	24,000		
		12,000	12,000		
		12,000	15,000		
		12,000	18,000		
		12,000	24,000		
		15,000	15,000		
		15,000	18,000		
		15,000	24,000		
		18,000	18,000		
		18,000	24,000		
	24,000	24,000			
3 Indoor Units		7,000	7,000	7,000	
		7,000	7,000	9,000	
		7,000	7,000	12,000	
		7,000	7,000	15,000	
		7,000	7,000	18,000	
		7,000	7,000	24,000	
		7,000	9,000	9,000	
		7,000	9,000	12,000	
		7,000	9,000	15,000	
		7,000	9,000	18,000	
		7,000	9,000	24,000	
		7,000	12,000	12,000	
		7,000	12,000	15,000	
		7,000	12,000	18,000	
		7,000	12,000	24,000	
		7,000	15,000	15,000	
		7,000	15,000	18,000	
		7,000	15,000	24,000	
		7,000	18,000	18,000	
		9,000	9,000	9,000	
		9,000	9,000	12,000	
		9,000	9,000	15,000	
		9,000	9,000	18,000	
		9,000	9,000	24,000	
		9,000	12,000	12,000	
		9,000	12,000	15,000	
		9,000	12,000	18,000	
		9,000	12,000	24,000	
		9,000	15,000	15,000	
		9,000	15,000	18,000	
	9,000	15,000	24,000		
	9,000	18,000	18,000		
	12,000	12,000	12,000		
	12,000	12,000	15,000		
	12,000	12,000	18,000		
	12,000	12,000	24,000		
	12,000	15,000	15,000		
	12,000	15,000	18,000		
	12,000	18,000	18,000		
	15,000	15,000	15,000		
	15,000	15,000	18,000		

		Indoor unit Capacity (Btu/h)			
		A	B	C	D
4 Indoor Units		7,000	7,000	7,000	7,000
		7,000	7,000	7,000	9,000
		7,000	7,000	7,000	12,000
		7,000	7,000	7,000	15,000
		7,000	7,000	7,000	18,000
		7,000	7,000	7,000	24,000
		7,000	7,000	9,000	9,000
		7,000	7,000	9,000	12,000
		7,000	7,000	9,000	15,000
		7,000	7,000	9,000	18,000
		7,000	7,000	12,000	12,000
		7,000	7,000	12,000	15,000
		7,000	7,000	12,000	18,000
		7,000	7,000	15,000	15,000
		7,000	7,000	15,000	18,000
		7,000	9,000	9,000	9,000
		7,000	9,000	9,000	12,000
		7,000	9,000	9,000	15,000
		7,000	9,000	9,000	18,000
		7,000	9,000	12,000	12,000
		7,000	9,000	12,000	15,000
		7,000	9,000	12,000	18,000
		7,000	9,000	15,000	15,000
		7,000	9,000	15,000	18,000
		7,000	12,000	12,000	12,000
		7,000	12,000	12,000	15,000
		7,000	12,000	12,000	18,000
		7,000	12,000	15,000	15,000
		7,000	12,000	15,000	18,000
		7,000	12,000	18,000	12,000
	7,000	12,000	18,000	15,000	
	7,000	12,000	18,000	18,000	
	7,000	12,000	24,000	12,000	
	7,000	12,000	24,000	15,000	
	7,000	12,000	24,000	18,000	
	7,000	12,000	24,000	24,000	
	7,000	15,000	12,000	12,000	
	7,000	15,000	12,000	15,000	
	7,000	15,000	12,000	18,000	
	7,000	15,000	12,000	24,000	
	7,000	15,000	15,000	15,000	
	7,000	15,000	15,000	18,000	
	7,000	15,000	15,000	24,000	
	7,000	15,000	18,000	18,000	
	7,000	15,000	18,000	24,000	
	7,000	15,000	18,000	30,000	
	7,000	15,000	24,000	12,000	
	7,000	15,000	24,000	15,000	
	7,000	15,000	24,000	18,000	
	7,000	15,000	24,000	24,000	
	7,000	15,000	24,000	30,000	
	7,000	15,000	30,000	12,000	
	7,000	15,000	30,000	15,000	
	7,000	15,000	30,000	18,000	
	7,000	15,000	30,000	24,000	
	7,000	15,000	30,000	30,000	
	7,000	15,000	30,000	36,000	
	7,000	15,000	30,000	42,000	
	7,000	15,000	30,000	48,000	
	7,000	15,000	30,000	54,000	
	7,000	15,000	30,000	60,000	
	7,000	15,000	30,000	66,000	
	7,000	15,000	30,000	72,000	
	7,000	15,000	30,000	78,000	
	7,000	15,000	30,000	84,000	
	7,000	15,000	30,000	90,000	
	7,000	15,000	30,000	96,000	
	7,000	15,000	30,000	102,000	
	7,000	15,000	30,000	108,000	
	7,000	15,000	30,000	114,000	
	7,000	15,000	30,000	120,000	
	7,000	15,000	30,000	126,000	
	7,000	15,000	30,000	132,000	
	7,000	15,000	30,000	138,000	
	7,000	15,000	30,000	144,000	
	7,000	15,000	30,000	150,000	
	7,000	15,000	30,000	156,000	
	7,000	15,000	30,000	162,000	
	7,000	15,000	30,000	168,000	
	7,000	15,000	30,000	174,000	
	7,000	15,000	30,000	180,000	
	7,000	15,000	30,000	186,000	
	7,000	15,000	30,000	192,000	
	7,000	15,000	30,000	198,000	
	7,000	15,000	30,000	204,000	
	7,000	15,000	30,000	210,000	
	7,000	15,000	30,000	216,000	
	7,000	15,000	30,000	222,000	
	7,000	15,000	30,000	228,000	
	7,000	15,000	30,000	234,000	
	7,000	15,000	30,000	240,000	
	7,000	15,000	30,000	246,000	
	7,000	15,000	30,000	252,000	
	7,000	15,000	30,000	258,000	
	7,000	15,000	30,000	264,000	
	7,000	15,000	30,000	270,000	
	7,000	15,000	30,000	276,000	
	7,000	15,000	30,000	282,000	
	7,000	15,000	30,000	288,000	
	7,000	15,000	30,000	294,000	
	7,000	15,000	30,000	300,000	
	7,000	15,000	30,000	306,000	
	7,000	15,000	30,000	312,000	
	7,000	15,000	30,000	318,000	
	7,000	15,000	30,000	324,000	
	7,000	15,000	30,000	330,000	
	7,000	15,000	30,000	336,000	
	7,000	15,000	30,000	342,000	
	7,000	15,000	30,000	348,000	
	7,000	15,000	30,000	354,000	
	7,000	15,000	30,000	360,000	
	7,000	15,000	30,000	366,000	
	7,000	15,000	30,000	372,000	
	7,000	15,000	30,000	378,000	
	7,000	15,000	30,000	384,000	
	7,000	15,000	30,000	390,000	
	7,000	15,000	30,000	396,000	
	7,000	15,000	30,000	402,000	
	7,000	15,000	30,000	408,000	
	7,000	15,000	30,000	414,000	
	7,000	15,000	30,000	420,000	
	7,000	15,000	30,000	426,000	
	7,000	15,000	30,000	432,000	
	7,000	15,000	30,000	438,000	
	7,000	15,000	30,000	444,000	
	7,000	15,000	30,000	450,000	
	7,000	15,000	30,000	456,000	
	7,000	15,000	30,000	462,000	
	7,000	15,000	30,000	468,000	
	7,000	15,000	30,000	474,000	
	7,000	15,000	30,000	480,000	
	7,000	15,000	30,000	486,000	
	7,000	15,000	30,000	492,000	
	7,000	15,000	30,000	498,000	
	7,000	15,000	30,000	504,000	
	7,000	15,000	30,000	510,000	
	7,000	15,000	30,000	516,000	
	7,000	15,000	30,000	522,000	
	7,000	15,000	30,000	528,000	
	7,000	15,000	30,000	534,000	
	7,000	15,000	30,000	540,000	
	7,000	15,000	30,000	546,000	
	7,000	15,000	30,000	552,000	
	7,000	15,000	30,000	558,000	
	7,000	15,000	30,000	564,000	
	7,000	15,000	30,000	570,000	
	7,000	15,000	30,000	576,000	
	7,000	15,000	30,000	582,000	
	7,000	15,000	30,000	588,000	
	7,000	15,000	30,000	594,000	
	7,000	15,000	30,000	600,000	
	7,000	15,000	30,000	606,000	
	7,000	15,000	30,000	612,000	
	7,000	15,000	30,000	618,000	
	7,000	15,000	30,000	624,000	
	7,000	15,000	30,000	630,000	
	7,000	15,000	30,000	636,000	
	7,000	15,000	30,000	642,000	
	7,000	15,000	30,000	648,000	
	7,000	15,000	30,000	654,000	
	7,000	15,000	30,000	660,000	
	7,000	15,000	30,000	666,000	
	7,000	15,000	30,000	672,000	
	7,000	15,000	30,000	678,000	
	7,000	15,000	30,000	684,000	
	7,000	15,000	30,000	690,000	
	7,000	15,000	30,000	696,000	
	7,000	15,000	30,000	702,000	
	7,000	15,000	30,000	708,000	
	7,000	15,000	30,000	714,000	
	7,000	15,000	30,000	720,000	
	7,000	15,000	30,000	726,000	
	7,000	15,000	30,000	732,000	
	7,000	15,000	30,000	738,000	
	7,000	15,000	30,000	744,000	
	7,000	15,00			

Basic Wire Connection Diagram



This simple wiring diagram is for reference only. Please refer to installation manuals for full details and requirements.