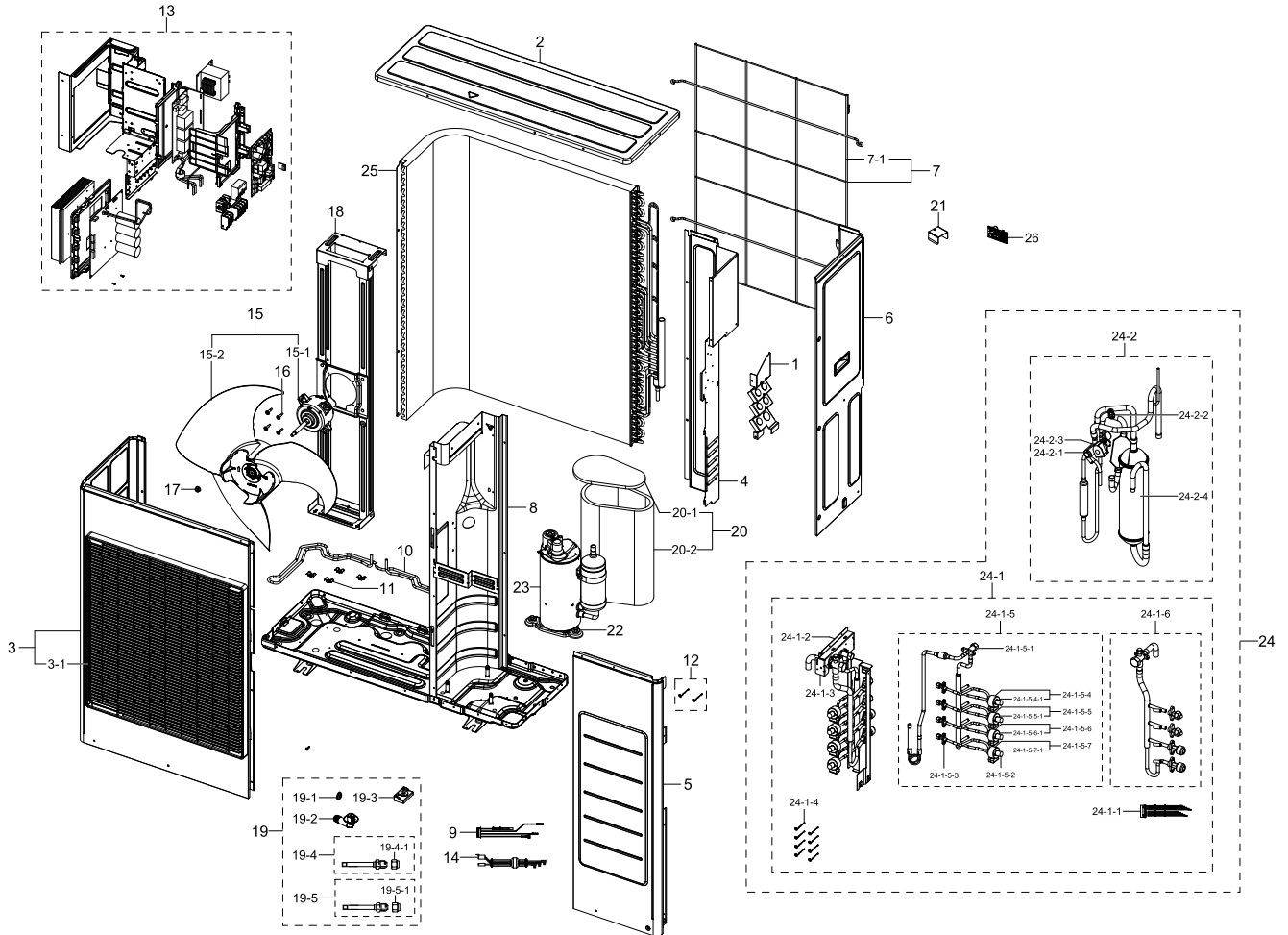


1. AJ030BXS4CH/AA

AJ030BXS4CH/AA

Exploded View



Parts List

No.	Lvl.	Loc.	Material Code	Description & Specification	SNA	Qty.
1	3		DB61-06937B	PLATE CONTROL-SUB; AJ048TXJ5CH/AA,GI-SGCC	SA	1
2	3	A0212	DB90-05902E	ASSY CABINET-TOP; RC090MHXEA,EHS MONO	SA	1
3	3	A2620	DB90-05971E	ASSY CABI FRONT-LF; AE090JXYDEH/DF,NORDIC	SA	1
3-1	4	G0153	DB63-02728C	GUARD FAN; UB CHASSIS,PP+TD20%,T2.5,EARTH	SA	1
4	3	A2609	DB90-06546F	ASSY CABI BACK-RH; UB1 NORDIC	SA	1
5	3	A2608	DB90-06547D	ASSY CABI FRONT-RH; AJ036JCJ5CH/AA	SA	1
6	3		DB90-06548D	ASSY CABI SIDE-RH; AJ036JCJ5CH/AA	SA	1
7	3		DB90-08318B	ASSY GUARD-COND; UB1 for FJM	SNA	1

Exploded Views and Parts List

No.	Lvl.	Loc.	Material Code	Description & Specification	SNA	Qty.
7-1	4		DB63-02971B	GUARD COND; RJ100F5HXEA,MSWR,EARTH BROWN,	SA	1
8	3	A1748	DB94-03262B	ASSY PARTITION; RJ100F5HXEA,FJM2	SA	1
9	2		DB32-00199A	SENSOR TEMP; SMH250-08 (WHT),L900,10kohm,	SA	1
10	2		DB47-00075A	HEATER SHEATH; AC230V,RAC Nordic UB1 Chas	SA	1
11	2		DB61-05376A	HOLDER-HEATER; RC160MHXEA,STS316L,W15,L26	SA	4
12	2	S0242	DB81-00635A	SPRING ETC-SENSOR; DVM-SYSTEM,STS304,ID2.	SA	2
13	2		DB92-05175A	ASSY PBA KIT-OUT MODULE; OUTDOOR,AJF600E,	SNA	1
14	2	A0630	DB93-15687A	ASSY CONNECTOR WIRE-COMP; 3,3343,12,RED,M	SA	1
15	2		DB94-08780A	ASSY FAN OUT-MODULE; ASSY FAN PROPELLER D	SNA	1
15-1	3	M0039	DB31-00579A	MOTOR FAN; 125W,DC310V,CLASS E	SA	1
15-2	3		DB94-04381A	ASSY FAN PROPELLER; DVM S ECO,520	SA	1
16	2	S0019	DB60-00150A	SCREW-SPECIAL; HWH,M4,L26,ZPC(WHT),SWRCH1	SA	4
17	2		DB60-00405A	FASTENER-WASHER; RC100ZHXA,SWRCH10A,M8	SA	1
18	3	A2803	DB90-05918B	ASSY BRACKET MOTOR; RC100DHXA,R410A	SA	1
19	2		DB97-18601B	ASSY PACKING CASE ASSESSORY; AJ030MCS4CH,	SNA	1
19-1	3	Z0165	DB63-10355C	SEAL DRAIN; -,CHLOROPRENE RUBBER,-,T2,W24	SA	3
19-2	3	D0116	DB67-00806A	DRAIN-PLUG OUT; UH140GAV,HDPE,-,-,-,-,NAT	SA	1
19-3	3	Z0166	DB73-20134A	RUBBER-LEG; V2-MD,NBR,T10,BLACK	SA	4
19-4	3		DB96-16155A	ASSY TUBE; RJ100F5HXEA,FJM2	SA	2
19-4-1	4	N0027	DB60-30010B	FASTENER-NUT FLARE; AR12RV3HEWKXNA,BRASS,	SA	2
19-5	3		DB96-16155B	ASSY TUBE; RJ100F5HXEA,FJM2	SA	1
19-5-1	4	N0027	DB60-30010D	FASTENER-NUT FLARE; -,BRASS,-,-,-,-,-,-	SA	1
20	2		DB94-08865B	ASSY FELT-MODULE; FJM,DB63-03164A,DB63-03	SNA	1
20-1	3		DB63-03164A	FELT-COMP TOP IN; -,EVAR/FELT,T11.5,W153,	SA	1
20-2	3		DB63-03042A	FELT-COMP SIDE; DVM S,EVAR/FELT,T11.5,W33	SA	1
21	2		DB61-00533A	HOLDER-CLAMP COND; RVXMHF050GA,GI-SGCC,T0	SNA	1
22	2		DB90-02381A	ASSY-NUT WASHER; DVM PLUS II,ASSY	SA	3

No.	Lvl.	Loc.	Material Code	Description & Specification	SNA	Qty.
23	2		UG8T300FUBJUSG	RCP,COMP,CPR,,R410A; RCP,COMP,CPR,,R410A		1
24	2		DB94-08864D	ASSY PATH-MODULE; FJM UB1,DB96-23250G,DB9	SNA	1
24-1	3		DB96-23250G	ASSY TUBE SERVICE-BRACKET; AJ036TXJ4CH/AA	SA	1
24-1-1	4		DB32-00278C	SENSOR TEMP; WB20L-024-411/WHT,L800,10koh	SA	1
24-1-2	4		DB61-04958A	BRACKET-VALVE SUPPORT; RJ100F5HXEA,GI-SGC	SA	1
24-1-3	4		DB61-04963B	BRACKET VALVE; UB1 NORDIC,SGMCC,T1.2,W86.	SA	1
24-1-4	4	S0242	DB81-00635A	SPRING ETC-SENSOR; DVM-SYSTEM,STS304,ID2.	SA	8
24-1-5	4		DB96-23297D	ASSY TUBE EEV; AJ036TXJ4CH/AA,Sanhua T-ty	SA	1
24-1-5-1	5		DB62-12108A	VALVE SERVICE-SPINDLE; T-TYPE, NO PORT,R4	SA	1
24-1-5-2	5		DB62-11418B	VALVE EXPAN; STS304,T-type,53.2,1.4mm,500	SNA	4
24-1-5-3	5		DB67-00281B	NIPPLE; RVPC035B2M0,C3771,-,-,L37,-,1/4	SA	4
24-1-5-4	5		DB96-25420A	ASSY VALVE-EXPANSION; H/P,UB1,L750,RED	SA	1
24-1-5-4-1	6		DB62-11421D	VALVE COIL EXPAN; DC12V,COIL,1000mm,MOLDI	SA	1
24-1-5-5	5		DB96-25420B	ASSY VALVE-EXPANSION; H/P,UB1,L850,YELLOW	SA	1
24-1-5-5-1	6		DB62-11421D	VALVE COIL EXPAN; DC12V,COIL,1000mm,MOLDI	SA	1
24-1-5-6	5		DB96-25420C	ASSY VALVE-EXPANSION; H/P,UB1,L850,BLUE	SA	1
24-1-5-6-1	6		DB62-11421D	VALVE COIL EXPAN; DC12V,COIL,1000mm,MOLDI	SA	1
24-1-5-7	5		DB96-25420D	ASSY VALVE-EXPANSION; H/P,UB1,L750,BLACK	SA	1
24-1-5-7-1	6		DB62-11421D	VALVE COIL EXPAN; DC12V,COIL,1000mm,MOLDI	SA	1
24-1-6	4		DB96-23418B	ASSY TUBE EEV-JOINT; AJ***MCS4CH	SA	1
24-2	3		DB96-25039A	ASSY TUBE 4WAY; AJ030TXS4CH/AA	SA	1
24-2-1	4	S0247	DB33-00002K	SOLENOID-COIL ASSY; 220V	SA	1
24-2-2	4	N0027	DB60-30010A	FASTENER-NUT FLARE; -,BRASS,-,-,-,-,-,-	SA	1
24-2-3	4	V0010	DB62-02838A	VALVE 4WAY; COMMON,3.5	SA	1
24-2-4	4	A0316	DB96-14716A	ASSY-ACCUMULATOR; RC100PHXEA,1600CC	SA	1

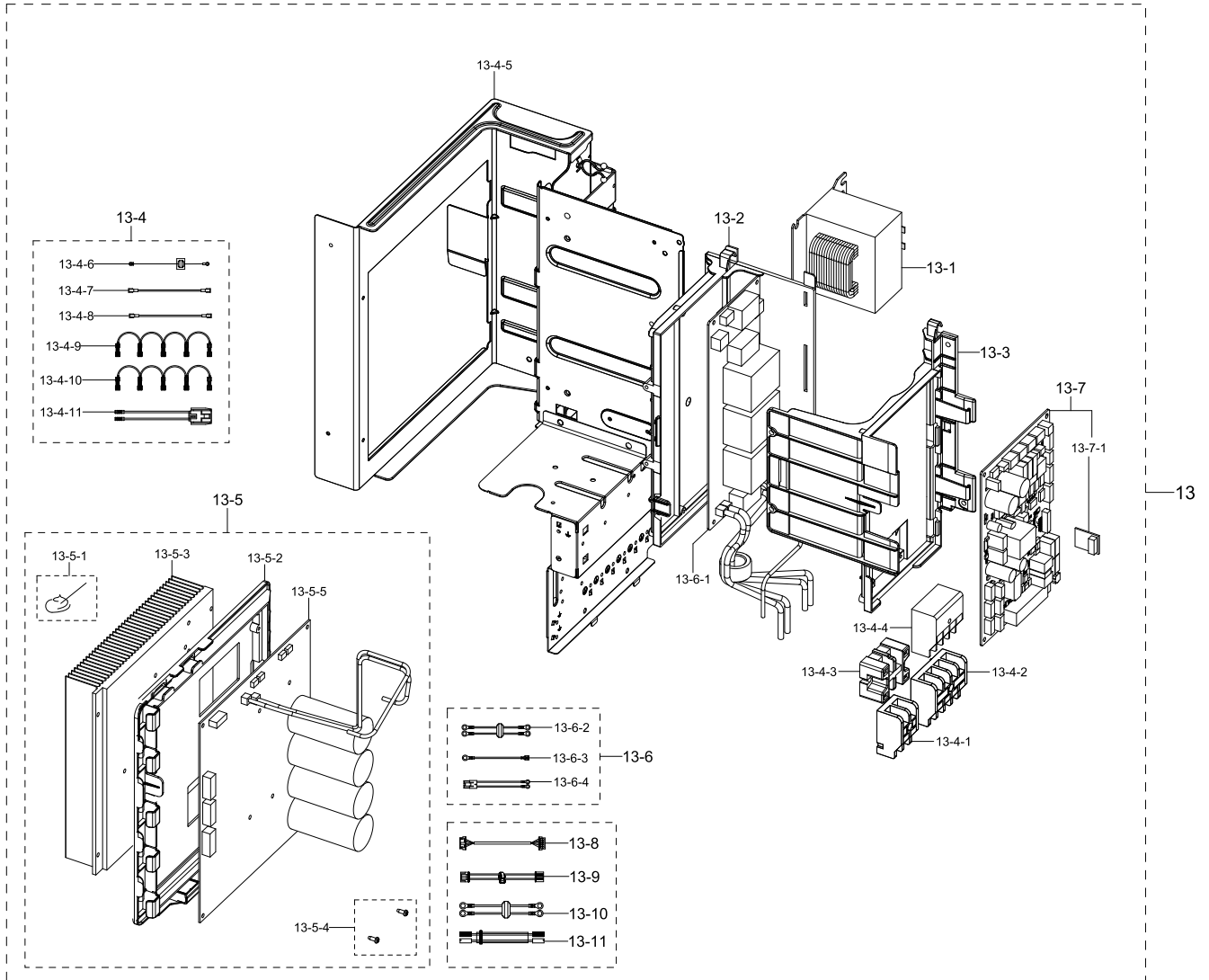
Exploded Views and Parts List

No.	Lvl.	Loc.	Material Code	Description & Specification	SNA	Qty.
25	2		DB96-23729A	ASSY COND-MODULE; FJM NORDIC	SA	1
26	1		DB82-06298A	A/S ASSY-EEPROM; AJ030BXS4CH,AA,UB1,PF#4	SA	1

2. ASSY PBA KIT-OUT MODULE

ASSY PBA KIT-OUT MODULE

Exploded View



Parts List

No.	Lvl.	Loc.	Material Code	Description & Specification	SNA	Qty.
13	2		DB92-05175A	ASSY PBA KIT-OUT MODULE; OUTDOOR,AJF600E,	SNA	1
13-1	3		DB27-00100A	COIL HARMONIC; 5mH,86.0x94.5xTmm,20A,-	SA	2
13-2	3		DB61-04502D	CASE-EMI; RC090MHXEA,HIPS,L0,NATURAL,VE-1	SA	1
13-3	3		DB61-05743A	CASE-PCB; AM053FXMDCH/AA,HIPS,T2,L243.3,N	SA	1
13-4	3		DB90-11265C	ASSY PLATE-CONTROL; AJ100TXJ5KG	SA	1
13-4-1	4		DB37-00036A	TERMINAL BLOCK; 2P(4SCREW),MELAMINE,600V,	SA	1

Exploded Views and Parts List

No.	Lvl.	Loc.	Material Code	Description & Specification	SNA	Qty.
13-4-2	4		DB37-00037A	TERMINAL BLOCK; 4P(8SCREW),MELAMINE,600V,	SA	1
13-4-3	4		DB37-00041A	TERMINAL BLOCK; DATB-S30A-2P-M,MELAMINE,6	SA	1
13-4-4	4		DB65-00304B	TERMINAL BLOCK; 4P(8SCREW),PBT,300V,25A,4	SA	1
13-4-5	4		DB90-06550C	ASSY CASE CONTROL-SUB; AJ100MCJ5EH	SA	1
13-4-6	4	A0646	DB93-10906C	ASSY CONNECTOR WIRE-EARTH; 1,1015,18,YEL/	SA	1
13-4-7	4	A3088	DB93-11280A	ASSY CONNECTOR WIRE-TERMINAL BLOCK; 1,101	SA	2
13-4-8	4	A3088	DB93-11280B	ASSY CONNECTOR WIRE-TERMINAL BLOCK; 1,101	SA	2
13-4-9	4		DB93-11914E	ASSY CONNECTOR WIRE-UB1 POWER JUMP; 4,101	SA	1
13-4-10	4		DB93-11914F	ASSY CONNECTOR WIRE-UB1 POWER JUMP; 1,101	SA	1
13-4-11	4		DB93-12145A	ASSY CONNECTOR WIRE-T B POWER TO EMI; 2,1	SA	1
13-5	3		DB92-05169A	ASSY PBA KIT-INVERTER; INVERTER,AC5000B,P	SNA	1
13-5-1	4		0205-000178	GREASE-SILICON; YG6111,WHITE, for assembl	SA	0.007
13-5-2	4		DB61-06473A	CASE PCB; AC145JX4PHH1,ABS,L269.4,NATURAL	SA	1
13-5-3	4	H0034	DB62-12093A	HEAT SINK; NEW PLATFORM #4,Al,T10,W200,L1	SA	1
13-5-4	4	A2876	DB91-00306A	ASSY-SCREW MACHINE; BLDC INV. CONTROLLER,	SA	2
13-5-5	4		DB92-04535B	ASSY PCB INVERTER; PF#4_Low Ambient,AC500	SA	1
13-6	3		DB92-04635B	ASSY KIT; OUTDOOR,FJM,EMI PBA,POWER WIRE,	SNA	1
13-6-1	4	A1781	DB93-13593A	ASSY PCB SUB-EMI; SUB,CAC-07,230*90,-,-,-	SA	1
13-6-2	4	A0664	DB93-13687C	ASSY CONNECTOR WIRE-POWER; 2,1015,12,BRN,	SA	1
13-6-3	4	A0646	DB93-13692B	ASSY CONNECTOR WIRE-EARTH; 1,1015,16,YEL/	SA	1
13-6-4	4	A0664	DB93-16998A	ASSY CONNECTOR WIRE-POWER; 2,1015,12,BRN,	SA	1
13-7	3	A0743	DB92-05167A	ASSY PCB MAIN-OUT; MID_MAIN_ABOV,AJF600E,	SA	1
13-7-1	4		DB93-12483A	ASSY PCB SUB-EEPROM; SUB,DVMPLUS4 UP,20*2	SA	1
13-8	3	A2934	DB93-04273B	ASSY CONNECTOR WIRE-COMM; 6,2095,26,BLU,S	SA	1

No.	Lvl.	Loc.	Material Code	Description & Specification	SNA	Qty.
13-9	3	Z0154	DB93-10809A	ASSY CONNECTOR WIRE-EMI TO MAIN POWER; 2	SA	1
13-10	3	A0664	DB93-13687A	ASSY CONNECTOR WIRE-POWER; 2,1015,12,BRN,	SA	1
13-11	3	A2610	DB93-15686A	ASSY CONNECTOR WIRE-REACTOR; 2,3343,12,BL	SA	2