

Samsung "Max Heat" FJM Series, 4 Port Condensing Unit

Job Name _____
 Purchaser _____
 Submitted to _____
 Unit Designation _____

Location _____
 Engineer _____
 Reference _____ Approval _____ Construction _____
 Schedule # _____

Model	US Code	JXH30S4B		
	Model Number	AJ030BXS4CH/AA		
Performance	Capacity (min. / standard / max.)	Cooling (Btu/h)	6,500 / 28,400 / 28,400	
		Heating (Btu/h)	7,500 / 28,600 / 28,600	
	Heating Capacity at 5°F OA, 70°F Indoor DB (Btu/h)		28,600	
	Heating Capacity at -13°F OA, 70°F Indoor DB (Btu/h)		20,000	
	SEER (Ducted / Mixed / Non-ducted) ¹		17.0 / 18.0 / 19.0	
	EER (Ducted / Mixed / Non-ducted) ¹		10.5 / 11.5 / 12.5	
	HSPF (Ducted / Mixed / Non-ducted) ¹		9.8 / 10.4 / 11.0	
	SEER2 (Ducted / Mixed / Non-ducted) ²		17.5 / 18.75 / 20.0	
	EER2 (Ducted / Mixed / Non-ducted) ²		10.5 / 11.5 / 12.5	
HSPF2 (Ducted / Mixed / Non-ducted) ²		8.3 / 8.65 / 9.0		
Power	Voltage	(ø/V/Hz)	1 / 208-230 / 60	
	Nominal Current ³	Cooling (A)	10.9	
		Heating (A)	10.0	
	Max. Breaker	Amps	30	
Minimum Circuit Ampacity (A)		26.0		
Dimensions	W X H X D	Inches	37 x 39 5/16 x 13	
	Weight	lbs.	173.1	
Noise Level	Cooling	dB (A)	54	
	Heating	dB (A)	58	
Operating Temperatures	Cooling		14 ~ 114.8°F (-10 ~ 46.0°C)	
	Heating		-13 ~75°F (-25 ~ 24.0°C)	
Pipe Connections	High Side		1/4" X 4	
	Low Side (suction)		3/8" X 2 + 1/2" X 2	
	Maximum Individual Line Set Length		82 ft	
	Maximum Line Set Length (total)		230 ft	
	Maximum Vertical Separation	Outdoor to Indoor		49 ft
		Highest to lowest indoor		25 ft
Included Pipe Adapters			2 - 1/2" X 3/8"	
Condenser Fan	Motor		BLDC With Propeller Fan (1)	
	Output	Watts / FLA	125 / 1.28	
		CFM		2,493
Compressor	Type		Twin BLDC Rotary Inverter	
	RLA	Amps	18.4	
Heat Exchanger	Type		Aluminum Fin - Copper Tube	
Refrigerant	Type		R410A	
	Control Method		Electronic Expansion Valve	
	Factory Charge		119.9 oz	
	Charged for		131 ft	
	Additional Refrigerant		0.22 oz/ft over 131 ft	
Accessories	Wall Bracket		CKN-250	
	Wind Baffle	Front	WBF-2M-B	
		Back	WBB-11M	
Certifications	Safety		ETL (UL 60335-2-40)	
	ENERGY STAR® Certification		Applies to AHRI non ducted listing	
Warranty	10 Years compressor, 10 year parts, 1 year limited labor (registration required)			



General Information

- The Samsung Max Heat system shall provide high heating capacity at -13°F outside temperature
- The outdoor unit shall supply power individually to the indoor units via 14 AWG X 3 power wire
- The outdoor unit shall have a base pan heater as standard to ensure optimal defrost cycle water drainage
- Auto-restart after power loss
- Available maximum current setting option to reduce operating current.
- System energy consumption can be viewed using Samsung SmartThings mobile app (not revenue grade, for reference only).
- Soft-start to reduce current demand during compressor start
- Auto or manual addressing of indoor units

Construction

- The outdoor unit shall be galvanized steel with a baked on powder coated finish for durability

Heat Exchanger

- The heat exchanger shall be mechanically bonded fin to copper tube

Controls

- Control signal shall be a DDC type signal
- Interconnect control wire between outdoor and indoor units shall be 16AWG X 2
- Controls shall integrate with a BMS system
- The system shall integrate with the Samsung Controls solution

Refrigerant System

- The refrigerant shall be R410A
- The compressor shall be hermetically sealed, inverter controlled, Twin BLDC Rotary
- Refrigerant flow shall be controlled by 4 separate electronic expansion valves at outdoor unit

Proper sizing and installation of equipment is critical to achieve optimal performance. Split system air conditioners and (excluding ductless systems) must be matched with appropriate coil components to meet ENERGY STAR® criteria. Ask your contractor for details or visit www.energystar.gov.

Samsung HVAC maintains a policy of ongoing development. Specifications are subject to change without notice. Refer to www.AHRIdirectory.org for current reference numbers.

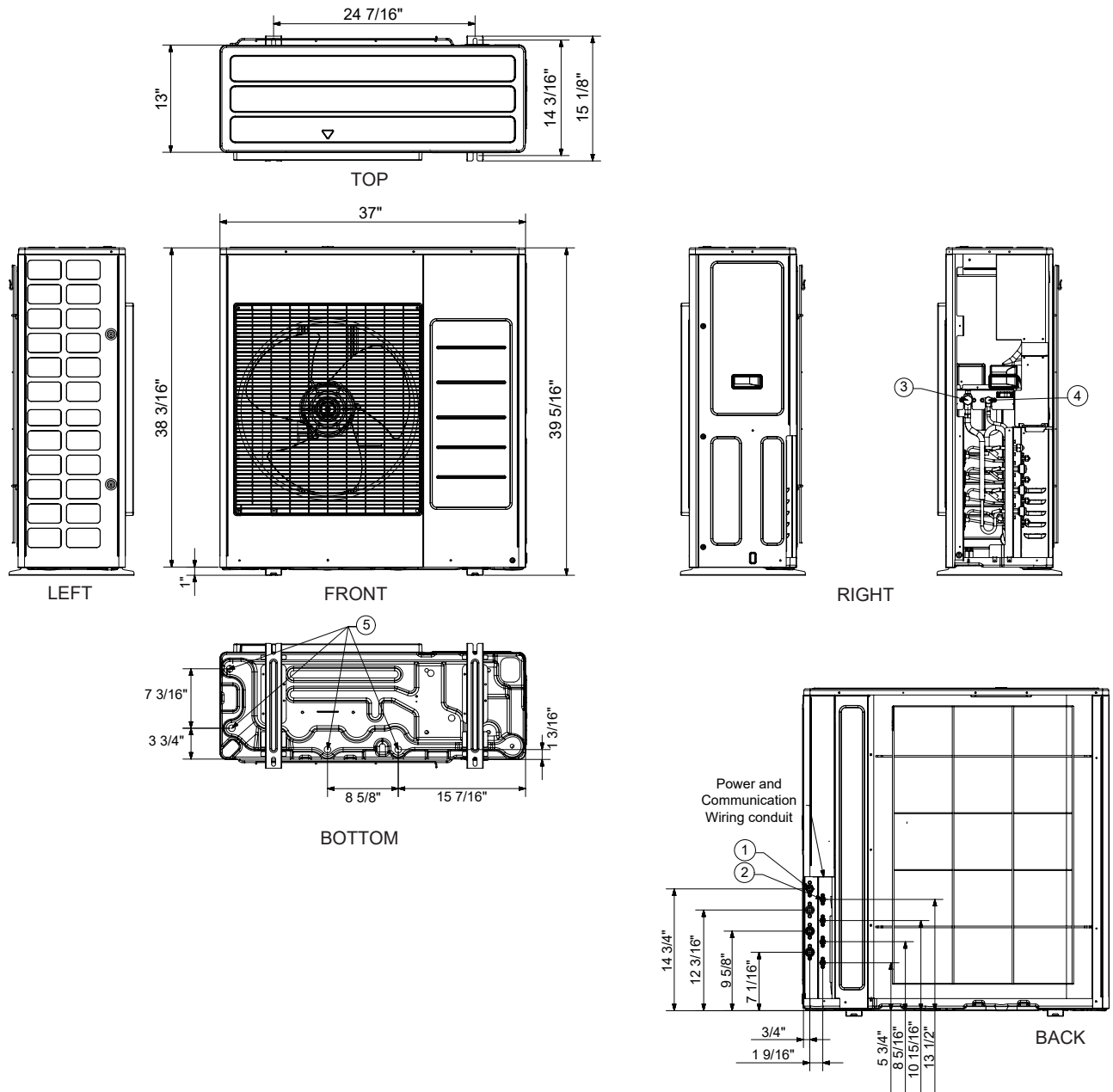
¹Performance data certified by AHRI to AHRI 210-240 (2017) with Addendum 1.
²Performance data certified by AHRI to AHRI 210-240 (2023). Effective January 1st, 2023.
³Rated current based on highest combination ratio of non-ducted indoor units.

This publication reflects both the 1987 Appendix M metric (SEER) and the 2023 Appendix M1 metric (SEER2). Efficiency requirements are published at 10 C.F.R. 430.32(c). Please refer to www.AHRInet.org for more information about energy metrics.



Samsung "Max Heat" FJM Series, 4 Port Condensing Unit

Dimensional drawing



No.	Name	Description
1	Refrigerant suction pipes	ø3/8" x 2, ø1/2" x 2
2	Refrigerant liquid pipes	ø1/4" x 4
3	Service Valve (suction)	5/8"
4	Service Valve (liquid)	3/8"
5	Drain holes	Connection with provided drain fitting

Indoor Unit Connection Options

Unit Qty.	Indoor Nominal Capacity (K Btu/h)				Duct S / MPAH Compatibility*		Connected Capacity (K Btu/h)
	A	B	C	D	Duct S	MPAH	
2	7	7					14
	7	9			•		16
	7	12			•	•	19
	7	15			•		22
	7	18			•	•	25
	7	24				•	31
	9	9			•		18
	9	12			•	•	21
	9	15			•		24
	9	18			•	•	27
	9	24			•	•	33
	12	12			•	•	24
	12	15			•	•	27
	12	18			•	•	30
	12	24			•	•	36
	15	15			•		30
	15	18			•	•	33
	15	24					39
18	18			•	•	36	
3	7	7	7				21
	7	7	9				23
	7	7	12				26
	7	7	15		•		29
	7	7	18		•	•	32
	7	7	24		•		38
	7	9	9		•	•	25
	7	9	12				28
	7	9	15		•		31
	7	9	18		•	•	34
	7	9	24		•		40
	7	12	12		•	•	31
	7	12	15				34
	7	12	18		•	•	37
	9	9	9		•	•	27
	9	9	12				30
	9	9	15				33
	9	9	18				36
	9	12	12				33
	9	12	15				36
9	12	18				39	
12	12	12		•		36	
12	12	15		•	•	39	
4	7	7	7	7	•		28
	7	7	7	9	•	•	30
	7	7	7	12			33
	7	7	7	15	•	•	36
	7	7	7	18	•	•	39
	7	7	9	9			32
	7	7	9	12			35
	7	7	9	15			38
	7	7	12	12			38
	7	9	9	9			34
	7	9	9	12			37
	7	9	9	15	•	•	40
	7	9	12	12			40
	9	9	9	9			36
	9	9	9	12			39

* Combatable combination that includes 1 X MPAH (AC0**BNZDCH/AA) OR 1 X Duct S (AJ0**BNHDCH/AA) unit.

Notes

1. Only 1 X MPAH (AC0**BNZDCH/AA) OR 1 X Duct S (AJ0**BNHDCH/AA) unit can be connected to a single FJM outdoor unit.
2. Applies to outdoor units manufactured after 4/30/2022.
3. Refer to supporting technical data book (TDB) for indoor unit compatibility available at www.SamsungHVAC.com.

Samsung "Max Heat" FJM Series, 4 Port Condensing Unit

Indoor unit connection options

	Indoor Unit Series																																								
	WindFree™ 3.0 RNS**A*C (AR**CSDA*WKNXCV)						WindFree™ 3.0e RNS**CMC (AR**CSFCMWKNXCV)						WindFree™ 3.0i RNS**CPC (AR**CSKCPWKNXCV)						WindFree™ 2.0 RNS**ABT (AR**TSFABWKNXCV)						WindFree™ 2.0e RNS**CMB (AR**BSFCMWKNXCV)																
	7	9	12	15	18	24	7	9	12	15	18	24	7	9	12	15	18	24	7	9	12	15	18	24	7	9	12	15	18	24											
JXH20S3B (AJ020BXS3CH/AA)	●	●	●	●			●	●	●	●			●	●	●	●			●	●	●	●			●	●	●	●			●	●	●	●							
JXH24S4B (AJ024BXS4CH/AA)	●	●	●	●	●		●	●	●	●	●			●	●	●	●	●			●	●	●	●	●			●	●	●	●	●			●	●	●	●	●		
JXH30S4B (AJ030BXS4CH/AA)	●	●	●	●	●	●	●	●	●	●	●	●	●	●	●	●	●	●	●	●	●	●	●	●	●	●	●	●	●	●	●	●	●	●	●	●					
JXH36S4B (AJ036BXS4CH/AA)	●	●	●	●	●	●	●	●	●	●	●	●	●	●	●	●	●	●	●	●	●	●	●	●	●	●	●	●	●	●	●	●	●	●	●	●					

	Indoor Unit Series																			
	WindFree™ 1 Way CNH**1DB (AC***BN1DCH/AA)			WindFree™ 4Way (2x2) CNH**NDB (AC***BNNDCH/AA)			Slim Duct CNH**LDB (AC***BNLDCH/AA)			Duct S JNH**HDB (AJ***BNHDCH/AA)			Console CNH88JDB (AC***BNJDCH/AA)			MPAH CNH**ZDB (AC***BNZDCH/AA)				
	9	12		9	12	18	9	12	18	9	12	15	18	9	12	15	18	12	18	24
JXH20S3B (AJ020BXS3CH/AA)	●	●		●	●		●	●		○	○			●	●	●		○		
JXH24S4B (AJ024BXS4CH/AA)	●	●		●	●	●	●	●	●	○	○	○		●	●	●	●	○		
JXH30S4B (AJ030BXS4CH/AA)	●	●		●	●	●	●	●	●	○	○	○	○	●	●	●	●	○	○	
JXH36S4B (AJ036BXS4CH/AA)	●	●		●	●	●	●	●	●	○	○	○	○	●	●	●	●	○	○	○

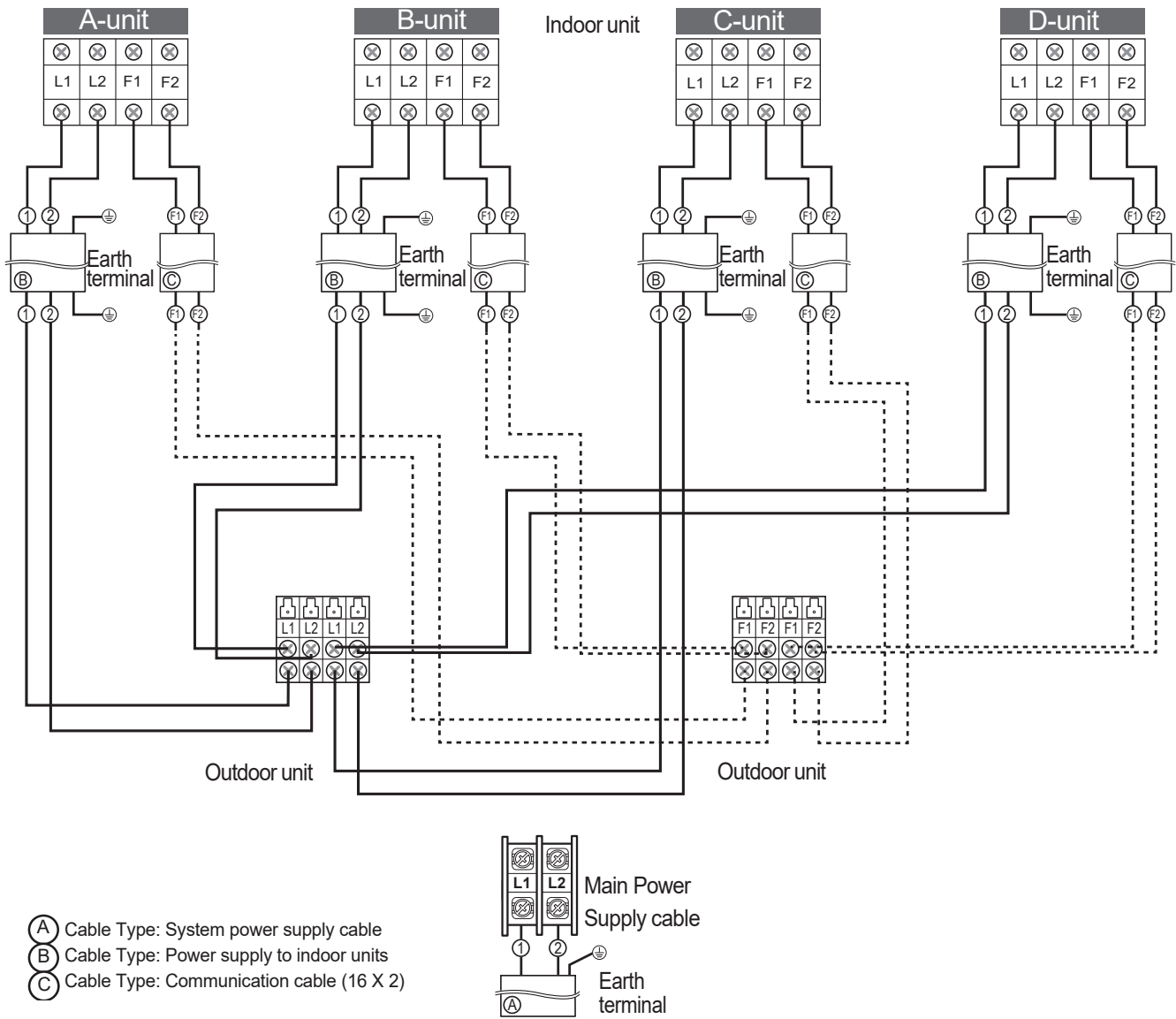
Notes

1. 2.0(e) and 3.0(e)(i) series may be mixed on the same system.

● Compatible

○ Only (1) Duct S or (1) MPAH may be connected to the same system. Refer to supporting technical data book (TDB) for complete compatibility, available at www.SamsungHVAC.com.

Basic Wire Connection Diagram



This simple wiring diagram is for reference only. Please refer to installation manuals for full details and requirements.