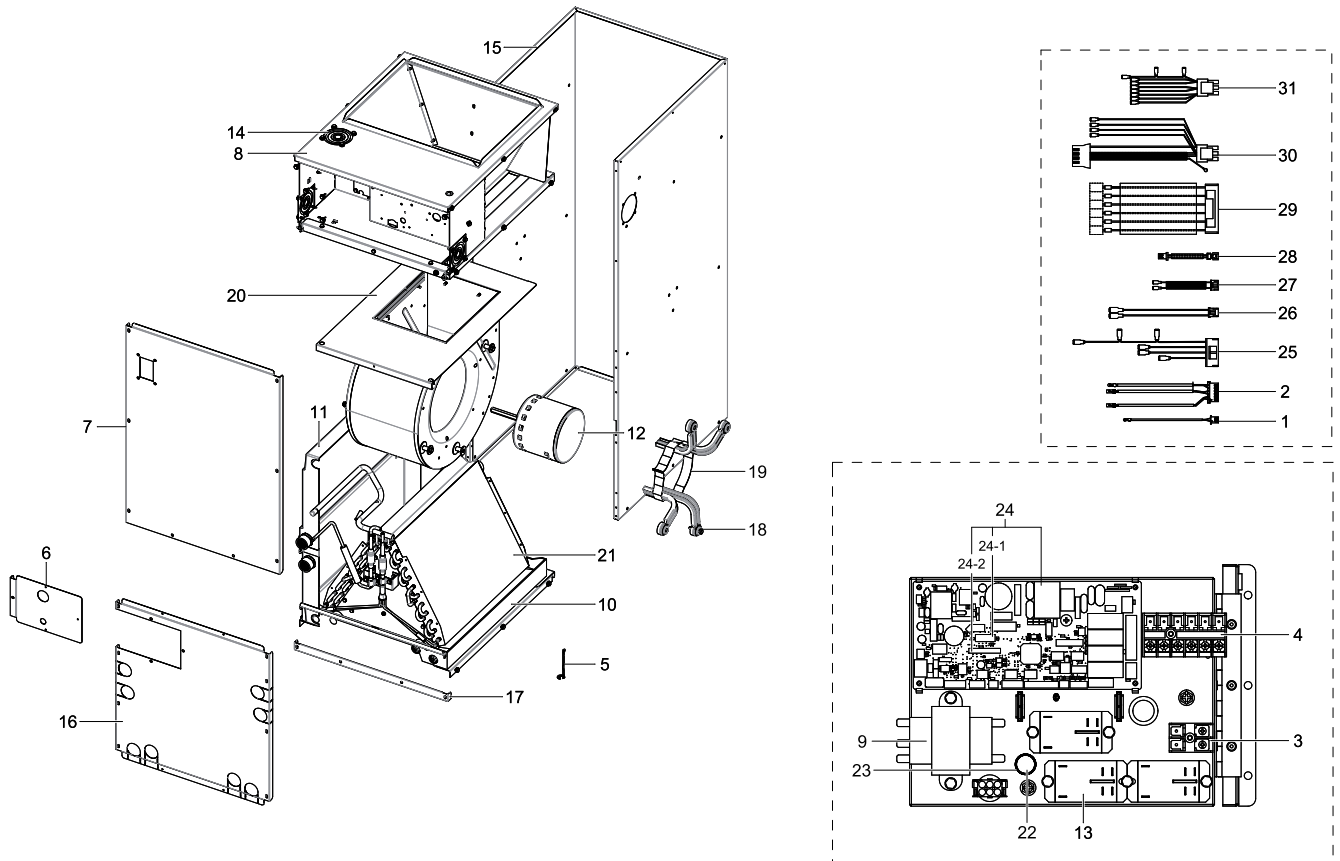


1. AC036KNZDCH/AA

Exploded View



Parts List

No.	Lvl.	Loc.	Material Code	Description & Specification	SNA	Qty.
1	1		DB32-00236A	SENSOR TEMP; 2000,10kohm	SA	1
2	1		DB95-05011F	ASSY THERMISTOR IN; 10Kohm 3%,103HW,7P,2	SA	1
3	1		DB65-00324B	TERMINAL BLOCK-THERMAL FUSE; 2P,PBT,Max2.	SA	1
4	1	T0015	DB65-00179F	TERMINAL BLOCK; DVM FRESH DUCT,PBT+G30%,3	SA	1
5	1	S0242	DB81-00635A	SPRING ETC-SENSOR; DVM-SYSTEM,STS304,R2.5	SA	1
6	1		DB81-04179A	A/S-CABI FRONT DOWN SVC; AM012JNZDCH/AA,V	SA	1
7	1		DB81-04180B	A/S-CABI FRONT UP; AM030JNZDCH/AA,CABI FR	SA	1
8	1		DB81-04181B	A/S-CABI TOP; AM030JNZDCH/AA,CABI TOP,V-A	SA	1
9	1		DB81-04182A	A/S-TRANSFORMER; AM012JNZDCH/AA,V-AHU	SA	1

Exploded Views and Parts List

No.	Lvl.	Loc.	Material Code	Description & Specification	SNA	Qty.
10	1		DB81-04183B	A/S-DRAIN PAN; AM030JNZDCH/AA,DRAIN PAN,V	SA	1
11	1		DB81-04184B	A/S-DRAIN PAN SIDE; AM030JNZDCH/AA,DRAIN	SA	1
12	1		DB81-04294D	A/S-FAN MOTOR; AC036KNZDCH/AA,FAN MOTOR	SA	1
13	1		DB81-04186A	A/S-RELAY A; AM012JNZDCH/AA,V-AHU	SA	3
14	1		DB81-04190A	A/S-BRACKET WIRE; AM012JNZDCH/AA,V-AHU	SA	1
15	1		DB81-04194B	A/S-CABI BACK; AM030JNZDCH/AA,CABI BACK	SA	1
16	1		DB81-04196B	A/S-CABI FRONT DOWN; AM030JNZDCH/AA,CABI	SA	1
17	1		DB81-04197B	A/S-BRACKET CABI; AM030JNZDCH/AA,BRACKET	SA	1
18	1		DB81-04198A	A/S-BRACKET MOTOR LEG; AM012JNZDCH/AA,BRA	SA	1
19	1		DB81-04199A	A/S-BRAK CET MOTOR MIDDLE; AM012JNZDCH/AA,	SA	1
20	1		DB81-04200B	A/S-BLOWER CASE; AM030JNZDCH/AA,BLOWER CA	SA	1
21	1		DB81-04293D	A/S-HEAT EXCHANGER; AC036KNZDCH/AA,HEAT E	SA	1
22	1		DB81-04203A	A/S-FUSE; Vertical AHU,Fuse,V-AHU	SA	1
23	1		DB81-04204A	A/S-FUSE HOLDER AND FUSE; Vertical AHU,Fu	SA	1
24	1	A2748	DB92-03931A	ASSY PCB MAIN; MAIN,CAC V-AHU,190*90,Y,22	SA	1
24-1	2		DB93-12483A	ASSY PCB SUB-EEPROM; SUB,DVMPLUS4 UP,20*2	SA	1
24-2	2		DB92-02793A	ASSY FUNCTION; COMM,DVM NASA_CST,Y	SA	1
25	1		DB93-16092A	ASSY CONNECTOR WIRE-AC SIGNAL; 6,1015,20,	SA	1
26	1		DB93-09220A	ASSY CONNECTOR WIRE-FAN OUT; 2,1015,18,RE	SA	1
27	1	A0664	DB93-09990A	ASSY CONNECTOR WIRE-POWER; 2,1015,18,SKY,	SA	1
28	1		DB93-13688C	ASSY CONNECTOR WIRE-DC SIGNAL; 2,1007,24,	SA	1
29	1		DB93-14029A	ASSY CONNECTOR WIRE-DC SIGNAL; 6,1007,22,	SA	1
30	1		DB81-04296A	A/S-MOTOR WIRE A; V-AHU	SA	1
31	1		DB81-04295A	A/S-MOTOR WIRE B; V-AHU	SA	1