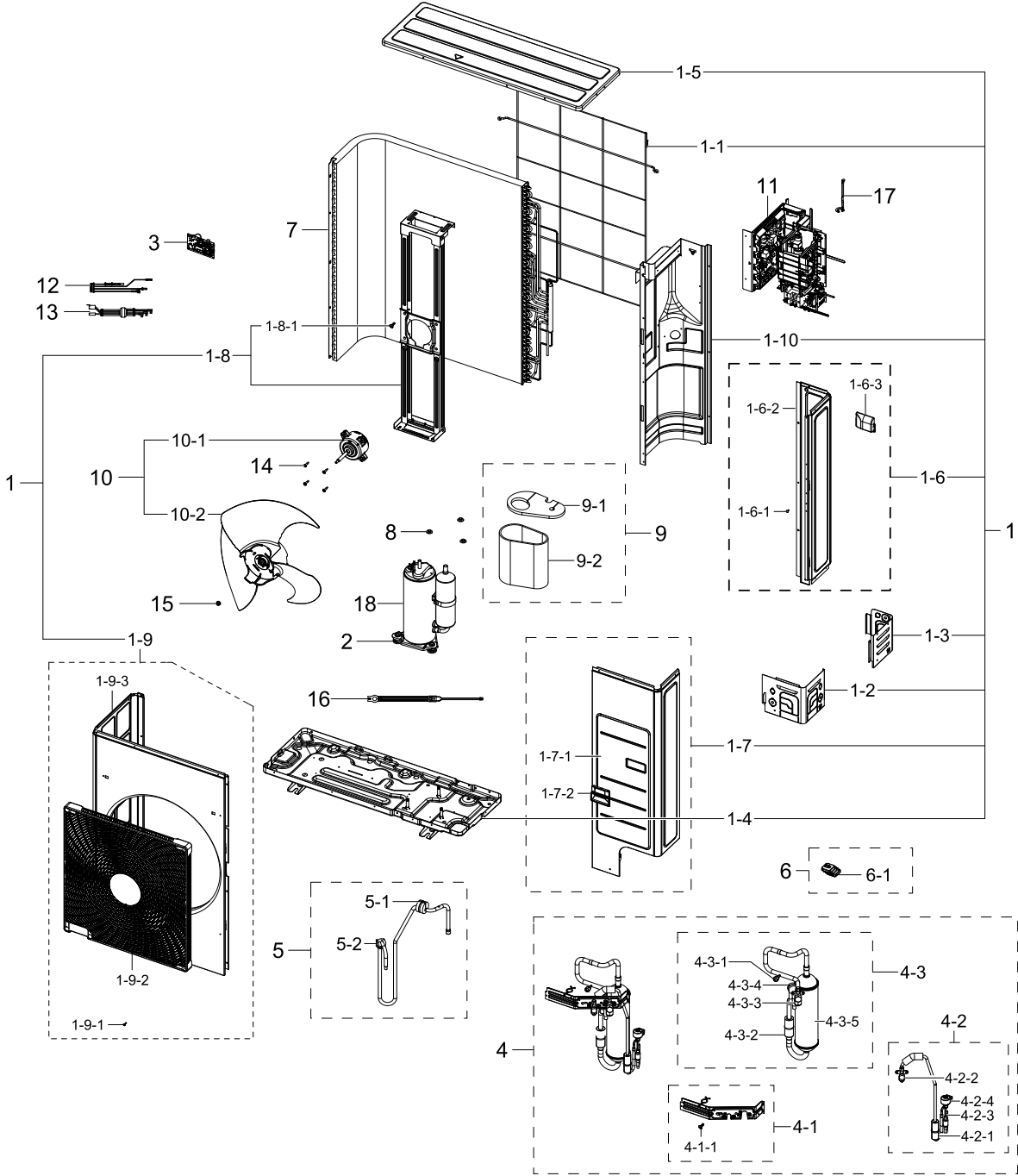


1. AC030BXSCCC/AA

AC030BXSCCC/AA

Exploded View



Parts List

No.	Lvl.	Loc.	Material Code	Description & Specification	SNA	Qty.
1	2		DB90-12354G	ASSY CABI OUT-MODULE; AC030BXSCCC/AA,CO	SNA	1
1-1	3		DB63-02730C	GUARD COND; RC100ZHxEA,MSWR,T5,EARTH BROW	SA	1
1-2	3		DB64-03526A	CABINET FRONT-LOW; AC024BXADCH/AA,GI-SGCC	SA	1
1-3	3		DB64-03527A	CABINET BACK-LOW; AC024BXADCH/AA,GI-SGCC,	SA	1
1-4	3	A0092	DB90-05873S	ASSY BASE OUT; AC036MXSCCC/AA	SA	1
1-5	3	A0212	DB90-05902E	ASSY CABINET-TOP; RC090MHxEA,EHS MONO	SA	1
1-6	3	A2609	DB90-05903F	ASSY CABI BACK-RH; AC036KXADec/TL,UB1	SA	1
1-6-1	4	S0025	6002-000481	SCREW-TAPPING; TH,+,NO,2S,M4.0,L12,NI PLT	SA	15
1-6-2	4		DB64-02535B	CABINET BACK-RH; RC100ZHxEA,EGI-SECC,T0.8	SNA	1
1-6-3	4		DB64-02613B	HOLDER-UP; RC140PHxEA,,PP+TD20%,T2.5,EART	SNA	2
1-7	3	A2608	DB90-05904H	ASSY CABI FRONT-RH; AC036KXADec/TL,UB1	SA	1
1-7-1	4		DB64-02537B	CABINET FRONT-RH; RC100ZHxEA,EGI-SECC,T0.	SNA	1
1-7-2	4		DB64-02613B	HOLDER-UP; RC140PHxEA,,PP+TD20%,T2.5,EART	SNA	2
1-8	3	A2803	DB90-05918B	ASSY BRACKET MOTOR; RC100DHxEA,R410A	SA	1
1-8-1	4	S0025	6002-000481	SCREW-TAPPING; TH,+,NO,2S,M4.0,L12,NI PLT	SA	1
1-9	3	A2620	DB90-05971J	ASSY CABI FRONT-LF; AC024BXADCH/AA,UB1	SA	1
1-9-1	4	S0025	6002-000481	SCREW-TAPPING; TH,+,NO,2S,M4.0,L12,NI PLT	SA	4
1-9-2	4	G0153	DB63-04306A	GUARD FAN; AC9100A,PP+TD20%,T3.5,NATURAL	SA	1
1-9-3	4		DB64-02536H	CABINET FRONT-LF; AC024BXADCH/AA,GI-SGCC,	SNA	1
1-10	3	A1748	DB94-02720E	ASSY PARTITION; AC090JX4PBH1	SA	1
2	2		DB92-04292A	ASSY DAMPER-GROMMET; AC036MXSCCC/AA	SA	3
3	1		DB82-06664A	A/S ASSY-EEPROM-OUT; AC030BXSCCC/AA,USA,1	SA	1
4	2		DB96-16642F	ASSY VALVE; AC036BXSCCC/AA,CAC_C/O_AA_UB1	SNA	1

No.	Lvl.	Loc.	Material Code	Description & Specification	SNA	Qty.
4-1	3		DB90-05874C	ASSY BRACKET-VALVE; RC100DHXEA,T1.2, UB	SA	1
4-1-1	4	S0025	6002-000481	SCREW-TAPPING; TH,+,NO,2S,M4.0,L12,NI PLT	SA	1
4-2	3		DB96-14885C	ASSY TUBE EEV; AC036MXSCCC/AA	SA	1
4-2-1	4		DB62-09478B	SEAL-PIPE INLET; PE FOAM,T8,W10,L80	SA	2
4-2-2	4	Z0163	DB62-09654A	VALVE SERVICE-SPINDLE; BRASS,FLARE,k type	SA	1
4-2-3	4		DB62-11374A	VALVE EXPAN; STS304,T-type,1.8mm,500,6.35	SA	1
4-2-4	4		DB62-11421D	VALVE COIL EXPAN; DC12V,COIL,1000mm,MOLDI	SA	1
4-3	3	A0045	DB96-16647D	ASSY TUBE SUCTION; AC036BXSCCC/AA,CAC_C/O	SA	1
4-3-1	4	N0027	DB60-30010A	FASTENER-NUT FLARE; -,BRASS,-,-,-,-,-,-,-	SA	1
4-3-2	4		DB62-09478A	SEAL-PIPE OUT; PE FOAM,T8,W18,L80	SA	1
4-3-3	4	Z0161	DB62-09658A	VALVE SERVICE-SPINDLE; BRASS,5/8",R410A,	SA	1
4-3-4	4		DB67-70011E	WEIGHT-RUBBER; NR,T22,W36	SA	1
4-3-5	4	A0316	DB96-14716A	ASSY-ACCUMULATOR; RC100PHXEA,1600CC	SA	1
5	2	A2757	DB96-16645B	ASSY TUBE DISCHARGE; AC036KXADEC/TL	SA	1
5-1	3		DB67-00903A	WEIGHT-RUBBER; DVM-PLUS3,NR,OD47pi,12.7PI	SA	1
5-2	3		DB67-70011C	WEIGHT-RUBBER; NR,T22,W32,BLACK	SA	1
6	2		DB97-25096A	ASSY PACKING; -,",UAE"	SNA	1
6-1	3	Z0166	DB73-20134A	RUBBER-LEG; V2-MD,NBR,T10,BLACK	SA	4
7	2	A0590	DB96-15469A	ASSY COND-MODULE; RC100DHXEA,INV	SA	1
8	2	S0018	DB60-30028A	NUT-FLANGE; HWH,M8,ZPC(WHT),SWRCH18A,P1.2	SA	3
9	2		DB94-08912A	ASSY FELT-MODULE; CAC, UB1,DB63-02954A, D	SNA	1
9-1	3		DB63-03164A	FELT-COMP TOP IN; -,EVAR/FELT,T11.5,W153,	SA	1
9-2	3		DB63-02954A	FELT-COMP SIDE; AF9500N,EVAR/FELT,T11.5,W	SA	1
10	2		DB94-09012A	ASSY FAN OUT-MODULE; ASSY FAN PROPELLER D	SNA	1
10-1	3		DB31-00683A	MOTOR BLDC FAN; DB31-00579,830,310V,125W	SA	1
10-2	3		DB94-04381A	ASSY FAN PROPELLER; DVM S ECO,520	SA	1
11	2		DB92-05177A	ASSY PBA KIT-OUT MODULE; OUTDOOR,AC5000B,	SNA	1

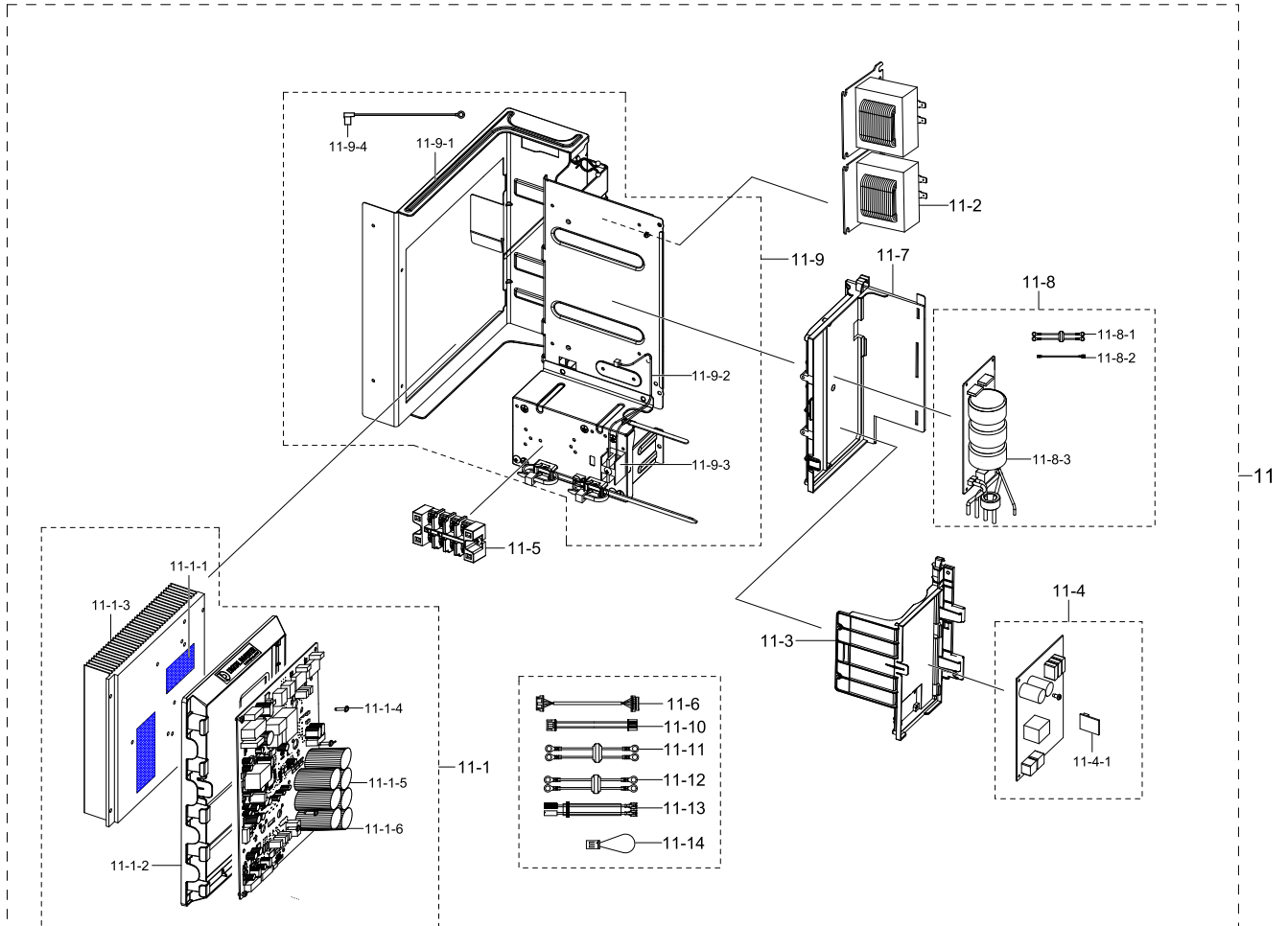
Exploded Views and Parts List

No.	Lvl.	Loc.	Material Code	Description & Specification	SNA	Qty.
12	2		DB95-04871D	ASSY THERMISTOR OUT-SUB OUT; SMH250-08L/W	SA	1
13	2	A0630	DB93-15687A	ASSY CONNECTOR WIRE-COMP; 3,3343,12,RED,M	SA	1
14	2	S0019	DB60-00150A	SCREW-SPECIAL; HWH,M4,L26,ZPC(WHT),SWRCH1	SA	4
15	2		DB60-00405A	FASTENER-WASHER; RC100ZHxEA,SWRCH10A,M8	SA	1
16	2		DB47-00073E	HEATER COMP; AC230V,20W,-,300,L1200,-,YH3	SA	1
17	2	S0242	DB81-00635A	SPRING ETC-SENSOR; DVM-SYSTEM,STS304,ID2.	SA	2
18	2		UG8T300FUBJUSG	RCP,COMP,CPR,,R410A; RCP,COMP,CPR,,R410A		1

2. ASSY KIT-OUT

ASSY KIT-OUT

Exploded View



Parts List

No.	Lvl.	Loc.	Material Code	Description & Specification	SNA	Qty.
11	2		DB92-05177A	ASSY PBA KIT-OUT MODULE; OUTDOOR,AC5000B,	SNA	1
11-1	3		DB92-05169A	ASSY PBA KIT-INVERTER; INVERTER,AC5000B,P	SNA	1
11-1-1	4		0205-000178	GREASE-SILICON; YG6111,WHITE, for assembl	SA	0.007
11-1-2	4		DB61-06473A	CASE PCB; AC145JX4PHH1,ABS,L269.4,NATURAL	SA	1
11-1-3	4	H0034	DB62-12093A	HEAT SINK; NEW PLATFORM #4,AI,T10,W200,L1	SA	1
11-1-4	4	A2876	DB91-00307A	ASSY-SCREW MACHINE; WW-INV,M4*16,WSP,PH,+	SA	2

Exploded Views and Parts List

No.	Lvl.	Loc.	Material Code	Description & Specification	SNA	Qty.
11-1-5	4		DB92-04535B	ASSY PCB INVERTER; PF#4_Low Ambient,AC500	SA	1
11-1-6	4	A2876	DB91-00306A	ASSY-SCREW MACHINE; BLDC INV. CONTROLLER,	SA	2
11-2	3		DB27-00118A	COIL HARMONIC; 2mH,20A,TAB Type	SA	2
11-3	3		DB61-05743A	CASE-PCB; AM053FXMDCH/AA,HIPS,T2,L243.3,N	SA	1
11-4	3	A0743	DB92-05166A	ASSY PCB MAIN-OUT; MID_MAIN_ABOV,AC5000B,	SA	1
11-4-1	4		DB93-12483A	ASSY PCB SUB-EEPROM; SUB,DVMPLUS4 UP,20*2	SA	1
11-5	3		DB37-00034A	TERMINAL BLOCK; DFT 40A-4P-M,MELAMINE,600	SA	1
11-6	3	A2934	DB93-04273B	ASSY CONNECTOR WIRE-COMM; 6,2095,26,BLU,S	SA	1
11-7	3		DB61-04502D	CASE-EMI; RC090MHXEA,HIPS,L0,NATURAL,VE-1	SA	1
11-8	3		DB92-04635A	ASSY KIT; EMI PBA,POWER WIRE,Korea_Effici	SA	1
11-8-1	4	A0664	DB93-13687B	ASSY CONNECTOR WIRE-POWER; 2,1015,12,BRN,	SA	1
11-8-2	4	A0646	DB93-13692A	ASSY CONNECTOR WIRE-EARTH; 1,1015,16,YEL/	SA	1
11-8-3	4	A1781	DB93-13593A	ASSY PCB SUB-EMI; SUB,CAC-07,230*90,-,-,-	SA	1
11-9	3		DB90-12261A	ASSY PLATE-CONTROL; AC5000B	SNA	1
11-9-1	4		DB90-05889C	ASSY CASE CONTROL; AC090JX4PBH1,ManU	SA	1
11-9-2	4	A2934	DB93-10808J	ASSY CONNECTOR WIRE-COMM; 2,1015,22,RED,Y	SA	1
11-9-3	4	T0179	DB65-00274A	TERMINAL BLOCK; TERMINAL BLOCK,Polycarbon	SA	1
11-9-4	4	A0646	DB93-17350A	ASSY CONNECTOR WIRE-EARTH; 1,1015,18,YEL/	SA	1
11-10	3	Z0154	DB93-10809A	ASSY CONNECTOR WIRE-EMI TO MAIN POWER; 2	SA	1
11-11	3	A0664	DB93-13687A	ASSY CONNECTOR WIRE-POWER; 2,1015,12,BRN,	SA	1
11-12	3	A0664	DB93-13687B	ASSY CONNECTOR WIRE-POWER; 2,1015,12,BRN,	SA	1
11-13	3	A2610	DB93-15686A	ASSY CONNECTOR WIRE-REACTOR; 2,3343,12,BL	SA	2
11-14	3		DB93-17517A	ASSY CONNECTOR WIRE-HIGH PRESSURE POWER;	SA	1