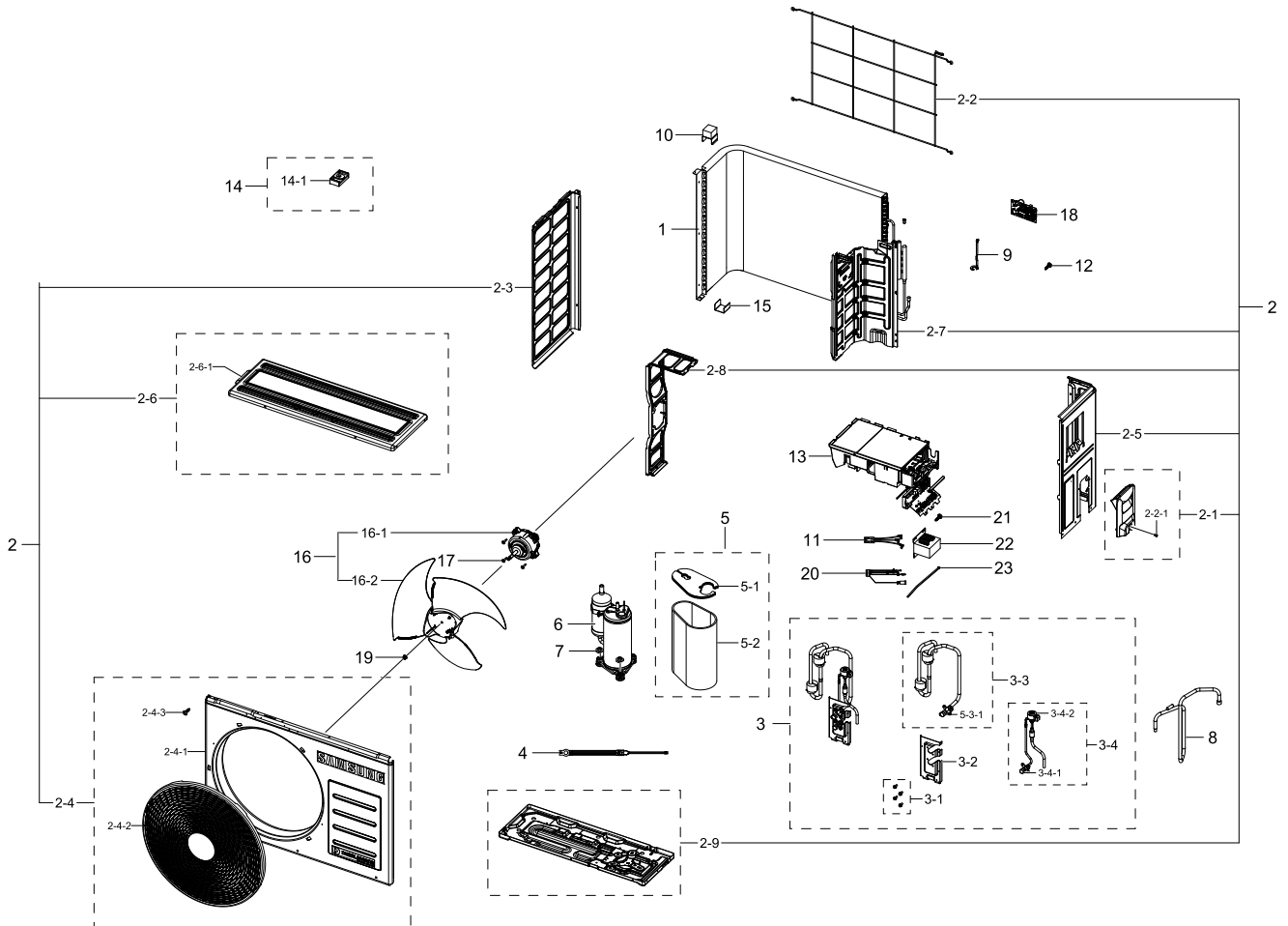


1. AC018BXSCCC/AA

AC018BXSCCC/AA

Exploded View



Parts List

No.	Lvl.	Loc.	Material Code	Description & Specification	SNA	Qty.
1	2		DB96-24473A	ASSY COND-MODULE; Q,L892.8mm	SA	1
2	2		DB90-12353A	ASSY CABI OUT-MODULE; AC018BXSCCC/AA,N-Q-	SNA	1
2-1	3	A2635	DB90-02958G	ASSY COVER CONTROL; AF23FVAS1WK	SA	1
2-2	3		DB63-03054B	GUARD COND-BAR; APX-SM132,MSWR,T3,EARTH B	SA	1
2-2-1	4	S0025	6002-000630	SCREW-TAPPING; PH,+,2S,M3,L8,ZPC(WHT),SWR	SA	1
2-3	3		DB90-11256A	ASSY CABI SIDE-LF; New Q Chassis,HP	SA	1
2-4	3	A0145	DB90-11126B	ASSY CABI FRONT; New Q Chassis	SA	1
2-4-1	4		DB64-03239C	CABINET FRONT; AF6500N,GI-SGCC,T0.8	SNA	1
2-4-2	4	G0153	DB63-03744A	GUARD FAN; AR24NVFPCWKXAZ,PP+TD20%,T2.5,E	SA	1

Exploded Views and Parts List

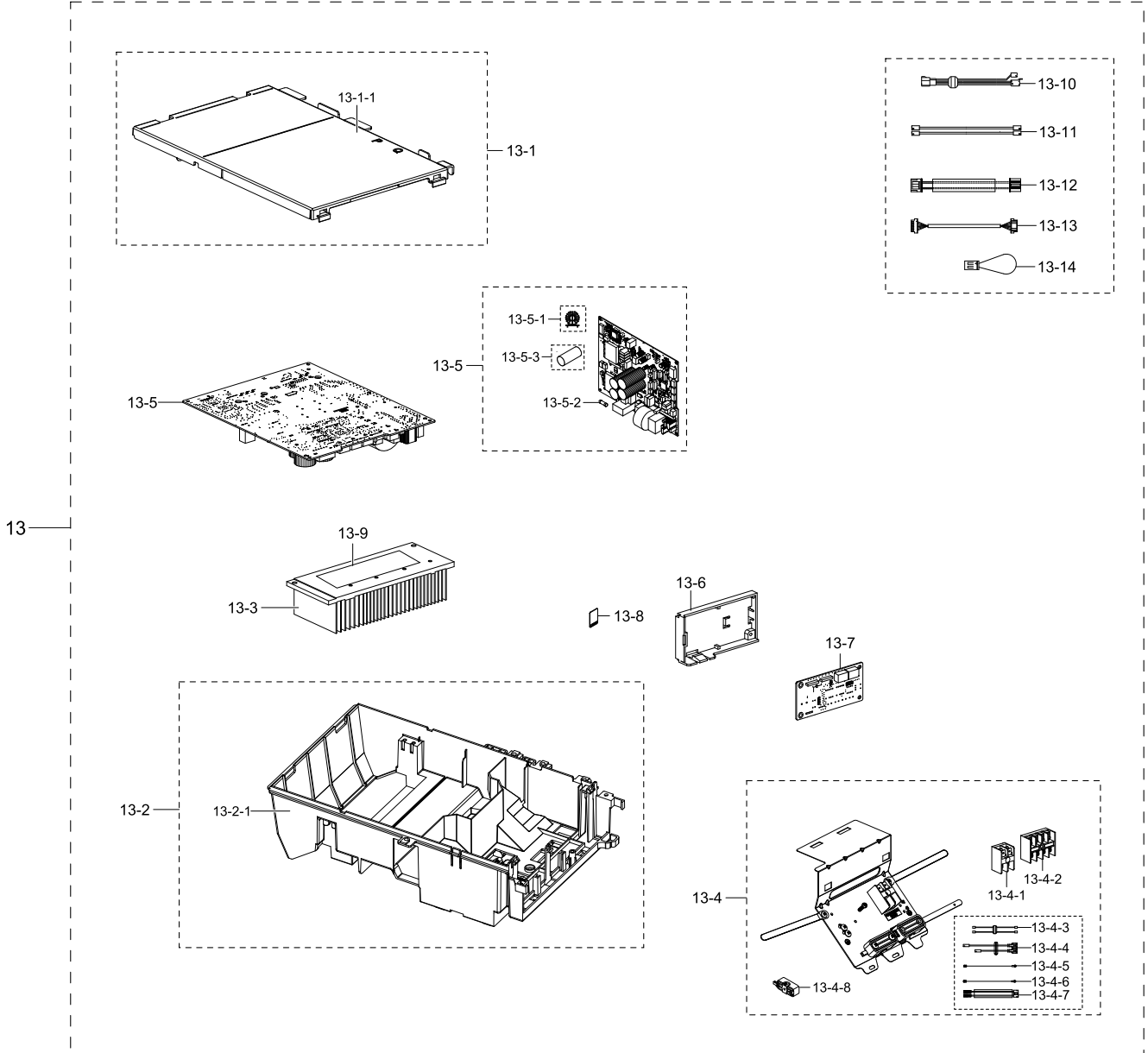
No.	Lvl.	Loc.	Material Code	Description & Specification	SNA	Qty.
2-4-3	4	S0025	6002-000481	SCREW-TAPPING; TH,+,NO,2S,M4.0,L12,NI PLT	SA	1
2-5	3		DB90-12253A	ASSY CABI SIDE-RH; AC018BXSCCC/AA,Q480	SA	1
2-6	3		DB90-11094A	ASSY CABI TOP; AF9500N	SA	1
2-6-1	4	H0017	DB64-00967B	HANDLE-OUTDOOR; FAC,PP+TD20%,T3,W24.8,L11	SA	1
2-7	3	A1748	DB94-07448A	ASSY PARTITION; AF6500N,Q CHASSIS	SA	1
2-8	3	B0516	DB61-07009B	BRACKET MOTOR; Q chassis,GI-SGCC,T1,W174,	SA	1
2-9	3	A0092	DB90-11090E	ASSY BASE OUT; New Q Chassis,Q39/44F,HP	SA	1
3	2		DB96-24548A	ASSY VALVE; CO,AC052NX1DKC/TL,CAC_CO_Q (T	SA	1
3-1	3		6011-007313	BOLT-HEX; M6,L16,NI PLT,HH,SWRCH18A,Top C	SA	4
3-2	3	B0712	DB61-01593A	BRACKET-VALVE; HP-SR2371GB,GI-SGCC,T1.5,W	SA	1
3-3	3	A0045	DB96-24552A	ASSY TUBE SUCTION; AC052NX1DKC/TL,CAC_CO_	SA	1
3-4	3		DB96-24556A	ASSY TUBE EEV; AC052NX1DKC/TL,CAC_CO_Q (T	SA	1
3-4-1	4	Z0176	DB62-09652A	VALVE SERVICE-SPINDLE; A/C,BRASS,FLARE,R4	SA	1
3-4-2	4		DB62-11421B	VALVE COIL EXPAN; DC12V,COIL,500mm,MOLDIN	SA	1
4	2		DB47-00073F	HEATER COMP; AC230V,20W,-,360,L700,-,YH39	SA	1
5	2		DB94-08872A	ASSY FELT-MODULE; CAC Q,DB63-03196A, DB63	SNA	1
5-1	3		DB63-03196A	FELT-COMP TOP IN; -,CLOTH/EVAR/FELT,T9,-,	SA	1
5-2	3		DB63-03197A	FELT-COMP SIDE; -,CLOTH/EVAR/FELT,T9,W575	SA	1
5-3-1	4		DB62-09656A	VALVE SERVICE-SPINDLE; BRASS,1/2",R410A,	SA	1
6	2		UG9TK3150FE4SG	RCP,COMP,RCP,F,R410A; RCP,COMP,RCP,F,R410A		1
7	2	S0018	DB60-30028A	NUT-FLANGE; HWH,M8,ZPC(WHT),SWRCH18A,P1.2	SA	3
8	2	A2757	DB96-24559A	ASSY TUBE DISCHARGE; AC052NX1DKC/TL,CAC_C	SA	1
9	2	S0242	DB81-00635A	SPRING ETC-SENSOR; DVM-SYSTEM,STS304,ID2.	SA	2
10	2		DB90-02316B	ASSY HOLDER-PLATE COND; AS18BPAX,WB BLDC	SNA	1

No.	Lvl.	Loc.	Material Code	Description & Specification	SNA	Qty.
11	2	A2508	DB93-11274C	ASSY CONNECTOR WIRE-COMP OUT; 3,3343,14,R	SA	1
12	2	S0025	6002-000481	SCREW-TAPPING; TH,+,NO,2S,M4.0,L12,NI PLT	SA	31
13	2		DB92-05180A	ASSY PBA KIT-OUT MODULE; OUTDOOR,AC5000B,	SNA	1
14	2		DB97-02096B	ASSY ACCESSORY; CO,SH07(09)APG,G1-PJT	SNA	1
14-1	3	R0132	DB73-00179A	RUBBER-LEG; G-PJT,NR,50	SA	4
15	2		DB61-00533A	HOLDER-CLAMP COND; RVXMHF050GA,GI-SGCC,T0	SNA	2
16	2		DB94-09011A	ASSY FAN OUT-MODULE; ASSY FAN PROPELLER D	SNA	1
16-1	3		DB31-00683A	MOTOR BLDC FAN; DB31-00579,830,310V,125W	SA	1
16-2	3		DB94-06687A	ASSY FAN PROPELLER; AC071MXADKH/EU,ASSY	SA	1
17	2	S0019	DB60-00150A	SCREW-SPECIAL; HWH,M4,L26,ZPC(WHT),SWRCH1	SA	4
18	1		DB82-06662A	A/S ASSY-EEPROM-OUT; AC018BXSCCC/AA,USA,1	SA	1
19	2		DB60-00405A	FASTENER-WASHER; RC100ZHxEA,SWRCH10A,M8	SA	1
20	2	A2902	DB95-05268A	ASSY THERMISTOR OUT; SMH200-H08H3,L450,10	SA	1
21	2	S0025	6002-000481	SCREW-TAPPING; TH,+,NO,2S,M4.0,L12,NI PLT	SA	2
22	2		DB27-00100A	COIL HARMONIC; 5mH,86.0x94.5xTmm,20A,-	SA	1
23	2	C0095	DB65-10088C	CABLE TIE; NYLON66,NTR,W4.8,L190	SNA	1

2. ASSY PBA KIT-OUT

ASSY PBA KIT-OUT

Exploded View



Parts List

No.	Lvl.	Loc.	Material Code	Description & Specification	SNA	Qty.
13	2		DB92-05180A	ASSY PBA KIT-OUT MODULE; OUTDOOR,AC5000B,	SNA	1
13-1	3	A2635	DB90-08242C	ASSY COVER CONTROL; 18Y FAC	SA	1
13-1-1	4		DB63-02817A	COVER-CONTROLLER; AFN-SD232T*,ABS,T2.3,W3	SA	1
13-2	3		DB90-11249A	ASSY CASE CONTROL; NEW 3# CONTROLLER	SA	1
13-2-1	4	C0230	DB61-07236A	CASE CONTROL; NEW #3 CONTROLLER,ABS,T2,L3	SA	1
13-3	3	H0034	DB62-12477A	HEAT SINK; INV PF3,Al,T5,W195,L95,SILVER,	SA	1
13-4	3		DB90-11224A	ASSY PLATE-CONTROL; NEW #3 CONTROLLER	SA	1
13-4-1	4	T0179	DB65-00274A	TERMINAL BLOCK; TERMINAL BLOCK,Polycarbon	SA	1
13-4-2	4		DB37-00033D	TERMINAL BLOCK; DAF-4P-M,MELAMINE,300V,25	SA	1
13-4-3	4		DB93-05434G	ASSY CONNECTOR WIRE-SN; 2,1015,18,BRN,ST7	SA	1
13-4-4	4	A0664	DB93-16973A	ASSY CONNECTOR WIRE-POWER; 2,1015,14,BRN,	SA	1
13-4-5	4	A0646	DB93-10906B	ASSY CONNECTOR WIRE-EARTH; 1,1015,18,YEL/	SA	1
13-4-6	4	A0646	DB93-10906A	ASSY CONNECTOR WIRE-EARTH; 1,1015,18,YEL/	SA	1
13-4-7	4	A2934	DB93-16402A	ASSY CONNECTOR WIRE-COMM; 2,1007,22,RED,Y	SA	1
13-4-8	4	H0344	DB61-00250A	HOLDER-WIRE CLAMP; AF25M9970DBX,PA66+GF25	SA	1
13-5	3		DB92-04027E	ASSY PCB INVERTER; INVERTER,PF3_17S,160mm	SA	1
13-5-1	4	C0603	DB27-00078A	COIL CHOKE; 12mH,20A,28.5x21,Mn-Zn,4,DIP	SA	1
13-5-2	4		3601-001652	FUSE-AXIAL LEAD; 250V,30A,TIME-LAG,CERAMI	SA	1
13-5-3	4	WE0174	2401-006185	C-AL; 390uF,20%,400V,WT,BK,25.4x60mm,10mm	SA	4
13-6	3		DB61-07235A	CASE PCB; NEW #3 CONTROLLER,ABS,T2,L185.3	SA	1
13-7	3	A0743	DB92-05165A	ASSY PCB MAIN-OUT; SML_MAIN_ABOV,CAC_AC50	SA	1
13-8	3		DB93-12483A	ASSY PCB SUB-EEPROM; SUB,DVMPLUS4 UP,20*2	SA	1
13-9	3		0205-000178	GREASE-SILICON; YG6111,WHITE, for assembl	SA	0

Exploded Views and Parts List

No.	Lvl.	Loc.	Material Code	Description & Specification	SNA	Qty.
13-10	3	A0630	DB93-10905B	ASSY CONNECTOR WIRE-COMP; 3,1015,14,RED,M	SA	1
13-11	3	A2610	DB93-15320A	ASSY CONNECTOR WIRE-REACTOR; 2,1015,16,WH	SA	1
13-12	3	A0664	DB93-16974A	ASSY CONNECTOR WIRE-POWER; 2,1015,18,BRN,	SA	1
13-13	3		DB93-17033A	ASSY CONNECTOR WIRE-DC SIGNAL; 8,2095,26,	SA	1
13-14	3		DB93-17517A	ASSY CONNECTOR WIRE-HIGH PRESSURE POWER;	SA	1